

This Owner's Manual is provided and hosted by [Appliance Factory Parts](#).



# LG DLE4801W Owner's Manual

[Shop genuine replacement parts for LG DLE4801W](#)



[Find Your LG Dryer Parts - Select From 451 Models](#)

----- Manual continues below -----



ENGLISH

ESPAÑOL

# OWNER'S MANUAL

# DRYER

Before beginning installation, read these instructions carefully. This will simplify installation and ensure that the dryer is installed correctly and safely. Leave these instructions near the dryer after installation for future reference.

DLE4801W      DLG4802W

## SPECIAL FEATURES

### EASY-TO-USE CONTROL PANEL

An entire selection of user-friendly functions make operating the dryer easy.

### EASY-ACCESS REVERSIBLE DOOR

The wide-opening door provides easy access for loading and unloading. The door hinge can be reversed to adjust for installation location.

### FLOW SENSE™ DUCT BLOCKAGE SENSING SYSTEM INDICATOR

The FLOW SENSE™ duct blockage sensing system detects and alerts you to blockages in the ductwork that reduce exhaust flow from the dryer. Clean exhaust systems increase efficiency and reduce drying times.

### SMARTDIAGNOSIS™

Should you experience any technical difficulty with your dryer, it has the capability of transmitting data via your telephone to the Customer Information Center. The call center agent records the data transmitted from your machine and uses it to analyze the issue, providing a fast and effective diagnosis (Refer to page 34).



# IMPORTANT SAFETY INSTRUCTIONS

## **READ ALL INSTRUCTIONS BEFORE USE**

### **⚠️ WARNING**

For your safety, the information in this manual must be followed to minimize the risk of fire or explosion, electric shock, or to prevent property damage, injury to persons, death.

#### **Your Safety and the safety of others is very important.**

We have provided many important safety messages in this manual and on your appliance. Always read and obey all safety messages.



This is the safety alert symbol.

This symbol alerts you to potential hazards that can kill or hurt you and others.

All safety messages will follow the safety alert symbol and either the word DANGER, WARNING or CAUTION.

These words mean:

### **⚠️ DANGER**

You will be killed or seriously injured if you don't immediately follow instructions.

### **⚠️ WARNING**

You can be killed or seriously injured if you don't follow instructions.

### **⚠️ CAUTION**

You may be slightly injured or cause damage to the product if you do not follow instructions.

All safety messages will tell you what the potential hazard is, tell you how to reduce the chance of injury, and tell you what can happen if the instructions are not followed.

- **Do not install a clothes dryer with flexible plastic venting materials. If flexible metal (foil type) duct is installed, it must be of a specific type identified by the appliance manufacturer as suitable for use with clothes dryers. Flexible venting materials are known to collapse, be easily crushed, and trap lint. These conditions will obstruct clothes dryer airflow and increase the risk of fire.**
- **Do not store or use gasoline or other flammable vapors and liquids in the vicinity of this appliance or any other appliances.**
- **Installation and service must be performed by a qualified installer, service agency, or the gas supplier.**
- **Install the clothes dryer according to the manufacturer's instructions and local codes.**
- **Save these instructions.**

### **WHAT TO DO IF YOU SMELL GAS:**

1. **Do not try to light a match or cigarette, or turn on any gas or electrical appliance.**
2. **Do not touch any electrical switches. Do not use any phone in your building.**
3. **Clear the room, building, or area of all occupants.**
4. **Immediately call your gas supplier from a neighbor's phone. Follow the gas supplier's instructions carefully.**
5. **If you cannot reach your gas supplier, call the fire department.**

# IMPORTANT SAFETY INSTRUCTIONS

## **READ ALL INSTRUCTIONS BEFORE USE**

### **⚠ WARNING**

**For your safety, the information in this manual must be followed to minimize the risk of fire or explosion, electric shock, or to prevent property damage, injury to persons, death.**

### **BASIC SAFETY PRECAUTIONS**

### **⚠ WARNING**

To reduce the risk of fire, electric shock, or injury to persons when using this appliance, follow basic precautions, including the following:

- Read all instructions before using the dryer.
- Before use, the dryer must be properly installed as described in this manual.
- Do not place items exposed to cooking oils in your dryer. Items contaminated with cooking oils may contribute to a chemical reaction that could cause a load to catch fire.
- Do not dry articles that have been previously cleaned in, washed in, soaked in, or spotted with gasoline, dry-cleaning solvents, or other flammable or explosive substances as they give off vapors that could ignite or explode.
- Do not reach into the dryer if the drum or any other part is moving.
- Do not repair or replace any part of the dryer or attempt any servicing unless specifically recommended in this Use and Care Guide or in published user-repair instructions that you understand and have the skills to carry out.
- Do not tamper with controls.
- Before the dryer is removed from service or discarded, remove the door to the drying compartment.
- Do not allow children to play on or in the dryer. Close supervision of children is necessary when the dryer is used near children.
- Do not use fabric softeners or products to eliminate static unless recommended by the manufacturer of the fabric softener or product.
- Do not use heat to dry articles containing foam rubber or similarly textured rubber-like materials.
- Keep area around the exhaust opening and adjacent surrounding areas free from the accumulation of lint, dust, and dirt.
- The interior of the dryer and exhaust vent should be cleaned periodically by qualified service personnel.
- Do not install or store the dryer where it will be exposed to the weather.
- Always check the inside of the dryer for foreign objects.
- Clean lint screen before or after each load.
- Do not store plastic, paper, or clothing that may burn or melt on top of the dryer during operation.

### **CALIFORNIA SAFE DRINKING WATER AND TOXIC ENFORCEMENT ACT**

This act requires the governor of California to publish a list of substances known to the state to cause cancer, birth defects, or other reproductive harm and requires businesses to warn customers of potential exposure to such substances.

Gas appliances can cause minor exposure to four of these substances, namely benzene, carbon monoxide, formaldehyde, and soot, caused primarily by the incomplete combustion of natural gas or LP fuels.

Properly adjusted dryers will minimize incomplete combustion. Exposure to these substances can be minimized further by properly venting the dryer to the outdoors.

# IMPORTANT SAFETY INSTRUCTIONS

## READ ALL INSTRUCTIONS BEFORE USE

### ⚠ WARNING

For your safety, the information in this manual must be followed to minimize the risk of fire or explosion, electric shock, or to prevent property damage, injury to persons, death.

#### GROUNDING INSTRUCTIONS

This appliance must be grounded. In the event of malfunction or breakdown, grounding will reduce the risk of electric shock by providing a path of least resistance for electric current. This appliance must be equipped with a cord having an equipment-grounding conductor and a grounding plug. The plug must be plugged into an appropriate outlet that is properly installed and grounded in accordance with all local codes and ordinances.

Do not modify the plug provided with the appliance. If it will not fit the outlet, have a proper outlet installed by a qualified electrician. This appliance must be connected to a grounded metal, permanent wiring system or an equipment-grounding conductor must be run with the circuit conductors and connected to the equipment-grounding terminal or lead on the appliance. Electric shock can result if the dryer is not properly grounded.

### ⚠ WARNING

Improper connection of the equipment-grounding conductor can result in a risk of electric shock. Check with a qualified electrician or service person if you are in doubt that the appliance is properly grounded.

#### SAFETY INSTRUCTIONS FOR INSTALLATION

### ⚠ WARNING

To reduce the risk of fire, electric shock, or injury to persons when using this appliance, follow basic precautions, including the following:

- **Properly ground dryer to conform with all governing codes and ordinances.** Follow details in the installation instructions. Electric shock can result if the dryer is not properly grounded.
- **Before use, the dryer must be properly installed** as described in this manual. Electric shock can result if the dryer is not properly grounded.
- **Install and store the dryer where it will not be exposed to temperatures below freezing or exposed to the weather.**
- **All repairs and servicing must be performed by an authorized servicer unless specifically recommended in this Owner's Guide. Use only authorized factory parts.** Failure to follow this warning can cause serious injury, fire, electric shock, or death.
- **To reduce the risk of electric shock, do not install the dryer in humid spaces.** Failure to follow this warning can cause serious injury, fire, electric shock, or death.
- **Connect to a properly rated, protected, and sized power circuit to avoid electrical overload.** Improper power circuit can melt, creating electric shock and/or fire hazard.
- **Remove all packing items and dispose of all shipping materials properly.** Failure to do so can result in death, explosion, fire, or burns.
- **Place dryer at least 18 inches above the floor for a garage installation.** Failure to do so can result in death, explosion, fire, or burns.
- **Keep all packaging from children.** Packaging material can be dangerous for children. There is a risk of suffocation.
- **Do not install near another source of heat such as a stove, cooking oven.** Failure to do so can cause deform, smoke and fire.
- **Do not place candles, smoking materials, or other flammables on top of the product.** Dripping wax, smoke, or fire can result.
- **Remove all protective vinyl film from the product.** Failure to do so can cause product damage, smoke or fire.

# IMPORTANT SAFETY INSTRUCTIONS

## **READ ALL INSTRUCTIONS BEFORE USE**

### **⚠ WARNING**

For your safety, the information in this manual must be followed to minimize the risk of fire or explosion, electric shock, or to prevent property damage, injury to persons, death.

### **SAFETY INSTRUCTIONS FOR INSTALLATION**

### **⚠ WARNING**

To reduce the risk of injury to persons, follow all industry recommended safety procedures including the use of long sleeved gloves and safety glasses. Failure to follow all of the safety warnings in this manual could result in property damage, injury to persons or death.

Exhaust/Ducting:

- **Gas dryers MUST be exhausted to the outside.** Failure to follow these instructions can result in fire or death.
- **The dryer exhaust system must be exhausted to the outside of the dwelling. If the dryer is not exhausted outdoors, some fine lint and large amounts of moisture will be expelled into the laundry area.** An accumulation of lint in any area of the home can create a health and fire hazard.
- **Use only rigid metal or flexible metal 4-inch diameter ductwork inside the dryer cabinet or for exhausting to the outside. Use of plastic or other combustible ductwork can cause a fire.** Punctured ductwork can cause a fire if it collapses or becomes otherwise restricted in use or during installation.
- **Ductwork is not provided with the dryer, and you should obtain the necessary ductwork locally. The end cap should have hinged dampers to prevent backdraft when the dryer is not in use.** Failure to follow these instructions can result in fire or death.
- **The exhaust duct must be 4 inches (10.2 cm) in diameter with no obstructions. The exhaust duct should be kept as short as possible. Make sure to clean any old ducts before installing your new dryer.** Failure to follow these instructions can result in fire or death.
- **Rigid or semi-rigid metal ducting is recommended for use between the dryer and the wall. In special installations when it is impossible to make a connection with the above recommendations, a UL-listed flexible metal transition duct may be used between the dryer and wall connection only. The use of this ducting will affect drying time.** Failure to follow these instructions can result in fire or death.
- **DO NOT use sheet metal screws or other fasteners which extend into the duct that could catch lint and reduce the efficiency of the exhaust system.** Secure all joints with duct tape. For complete details, follow the Installation Instructions. Failure to follow these instructions can result in fire or death.

# IMPORTANT SAFETY INSTRUCTIONS

## **READ ALL INSTRUCTIONS BEFORE USE**

### **⚠️ WARNING**

For your safety, the information in this manual must be followed to minimize the risk of fire or explosion, electric shock, or to prevent property damage, injury to persons, death.

### **SAFETY INSTRUCTIONS FOR CONNECTING ELECTRICITY**

### **⚠️ WARNING**

To reduce the risk of fire, electric shock, or injury to persons when using this appliance, follow basic precautions, including the following:

- **Do not, under any circumstances, cut or remove the ground prong from the power cord.** To prevent injury to persons or damage to the dryer, the electrical power cord must be plugged into a properly grounded outlet.
- **For personal safety, this dryer must be properly grounded.** Failure to do so can result in electric shock or injury.
- **Refer to the installation instructions in this manual for specific electrical requirements for your model.** Failure to follow these instructions can create an electric shock hazard and/or a fire hazard.
- **This dryer must be plugged into a properly grounded outlet. Electric shock can result if the dryer is not properly grounded. Have the wall outlet and circuit checked by a qualified electrician to make sure the outlet is properly grounded.** Failure to follow these instructions can create an electric shock hazard and/or a fire hazard.
- **The dryer should always be plugged into its own individual electrical outlet which has a voltage rating that matches the rating plate.** This provides the best performance and also prevents overloading house wiring circuits which could cause a fire hazard from overheated wires.
- **Never unplug your dryer by pulling on the power cord. Always grip plug firmly and pull straight out from the outlet.** The power cord can be damaged, resulting in a risk of fire and electric shock.
- **Repair or replace immediately all power cords that have become frayed or otherwise damaged. Do not use a cord that shows cracks or abrasion damage along its length or at either end.** The power cord can melt, creating an electric shock and/or fire hazard.
- **When installing or moving the dryer, be careful not to pinch, crush, or damage the power cord.** This will prevent injury and prevent damage to the dryer from fire and electric shock.

**SAVE THESE INSTRUCTIONS**

# TABLE OF CONTENTS

## 2 SPECIAL FEATURES

---

### 3 IMPORTANT SAFETY INSTRUCTIONS

---

- 3 WHAT TO DO IF YOU SMELL GAS
- 4 BASIC SAFETY PRECAUTIONS
- 4 CALIFORNIA SAFE DRINKING WATER AND TOXIC ENFORCEMENT ACT
- 5 GROUNDING INSTRUCTIONS
- 5 SAFETY INSTRUCTIONS FOR INSTALLATION
- 7 SAFETY INSTRUCTIONS FOR CONNECTING ELECTRICITY

## 9 PARTS AND FEATURES

---

- 9 Components
- 10 Control Panel Features

## 11 INSTALLATION INSTRUCTIONS

---

- 11 Preview Installation Order
- 12 Installation Location Requirements
- 12 Clearances
- 13 Leveling the Dryer
- 14 Reversing the door
- 15 Changing the Dryer Vent Location
- 16 Venting the Dryer
- 18 Connecting Gas Dryers
- 20 Connecting Electric Dryers
- 25 Special Requirements for Manufactured or Mobile Homes
- 25 Final Installation Check
- 26 Installation Test (Exhaust Check)

## 28 HOW TO USE

---

- 28 Operating the Dryer
- 29 Cycle Guide
- 30 Sorting Load
- 30 Loading the Dryer
- 30 Check the Lint Filter before Every Load
- 31 Cycle Setting Buttons
- 31 Special Functions
- 31 Custom Program

## 32 MAINTENANCE

---

- 32 Regular Cleaning

## 33 TROUBLESHOOTING

---

- 33 Before Calling for Service

## 34 SPECIFICATIONS

---

## 34 USING SMARTDIAGNOSIS™

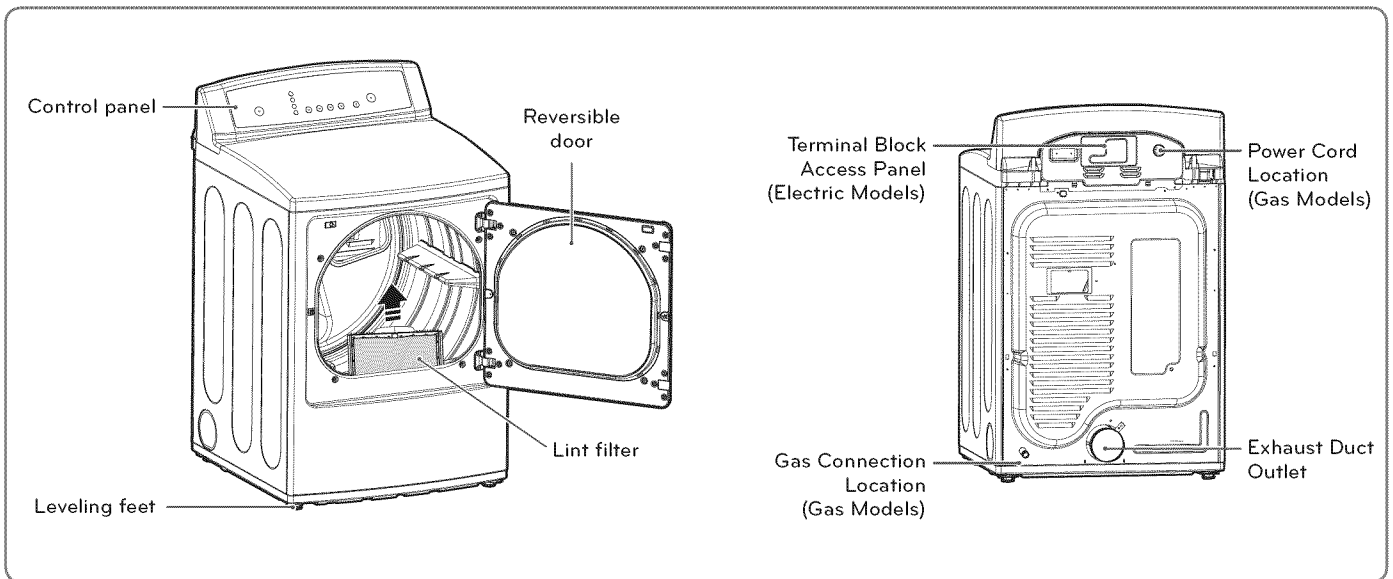
---

## 35 WARRANTY

---

# PARTS AND FEATURES

## Components



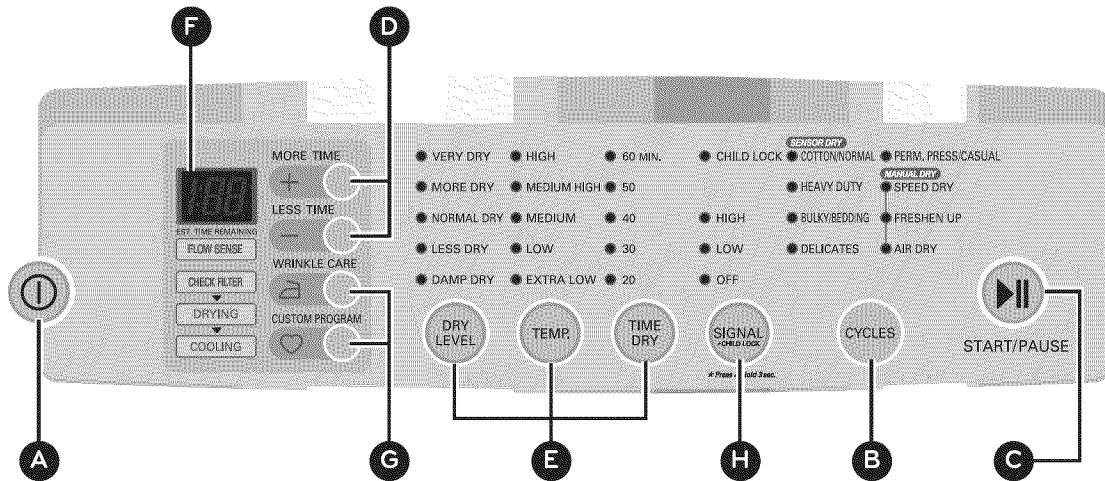
### NOTE

- Contact LG Customer Service at 1-800-243-0000 (1-888-542-2623 in Canada) if any accessories are missing.
- For your safety and for extended product life, use only authorized components. The manufacturer is not responsible for product malfunction or accidents caused by the use of separately purchased unauthorized components or parts.
- The images in this guide may be different from the actual components and accessories, and are subject to change by the manufacturer without prior notice for product improvement purposes.

## Control panel features

Following are instructions for starting and using your new dryer. Please refer to specific sections of this manual for more detailed information.

**⚠ WARNING:** To reduce the risk of fire, electric shock, or injury to persons, read this entire manual, including the Important Safety Instructions, before operating this dryer.



### A POWER ON/OFF BUTTON

Press to turn the dryer ON. Press again to turn the dryer OFF.

#### NOTE

Pressing the ON/OFF button during a cycle will cancel that cycle and any load settings will be lost.

### B CYCLES BUTTON

Press this button to select the desired cycle. Once the desired cycle has been selected, the standard presets will be shown in the display. On MANUAL DRY cycles, these settings can be adjusted using the cycle setting buttons anytime before starting the cycle.

### C START/PAUSE BUTTON

Press this button to START the selected cycle. If the dryer is running, use this button to PAUSE the cycle without losing the current settings.

#### NOTE

If you do not press the START/PAUSE button to resume a cycle within 4 minutes, the dryer turns off automatically.

### D MORE TIME/LESS TIME BUTTONS

To adjust the drying time, use these buttons with MANUAL DRY, TIME DRY cycles. Press the MORE TIME button to increase the selected manual cycle time by a minute; press LESS TIME to decrease the cycle time by a minute.

### E CYCLE SETTING BUTTONS

Use these buttons to select the desired cycle settings for the selected cycle. The current settings are shown in the display. Press the button for that option to view and select other settings.

### F TIME AND STATUS DISPLAY

The display shows the settings, estimated time remaining, options, and status messages for your dryer.

### G OPTION BUTTONS

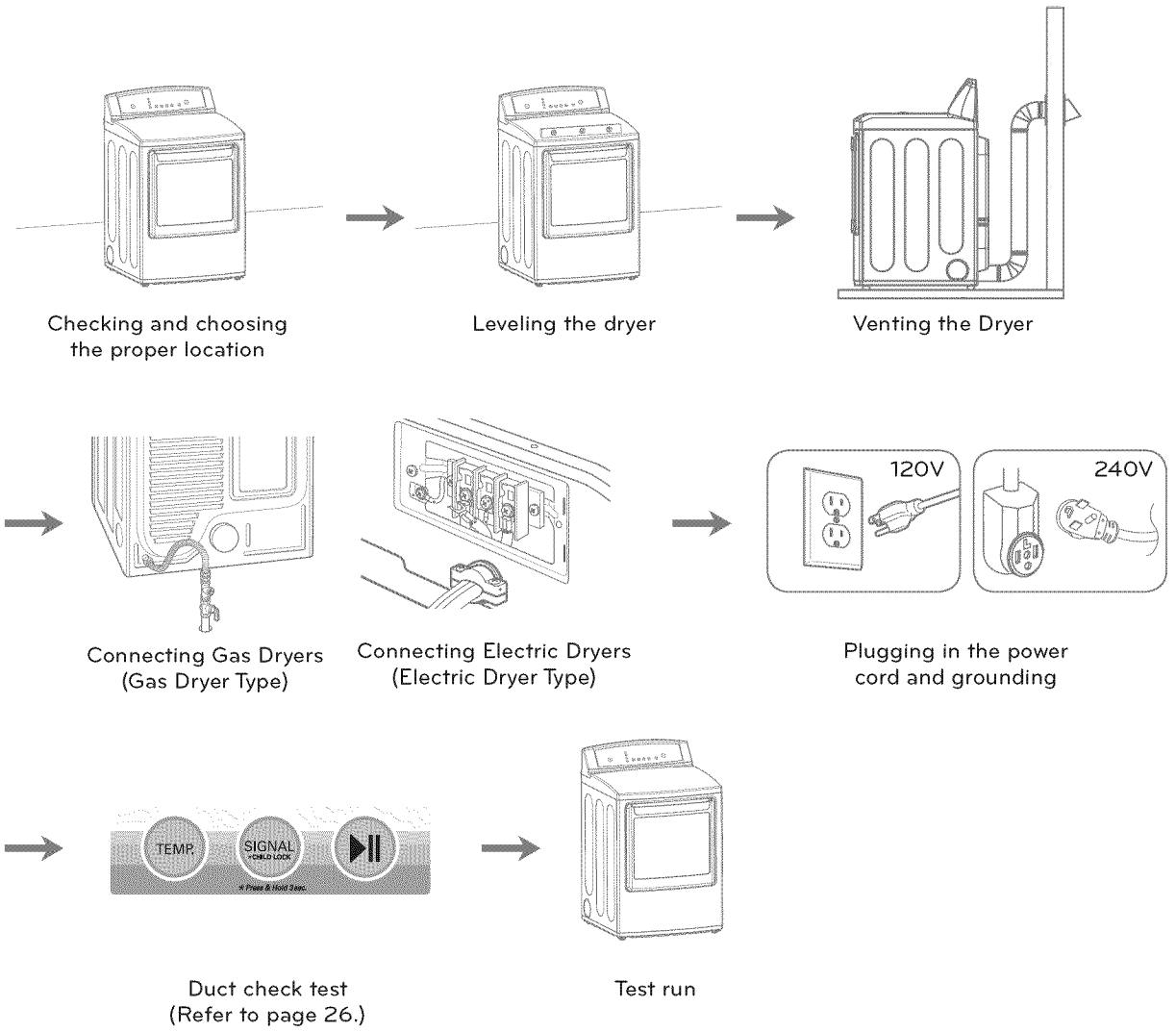
The OPTION buttons allow you to select additional cycle options. Not all settings are available for all cycles. Refer to the CYCLE GUIDE section of the manual.

### H SIGNAL BUTTON

Press the SIGNAL button repeatedly to adjust the volume of the signals. This button is also used to activate and deactivate CHILD LOCK by pressing and holding the button for three seconds.

# INSTALLATION INSTRUCTIONS

## Preview installation order



## Installation location requirements

### ⚠ WARNING

**Read all installation instructions completely before installing and operating your dryer!** It is important that you review this entire manual before installing and using your dryer. Detailed instructions concerning electrical connections, gas connections, and exhaust requirements are provided on the following pages.

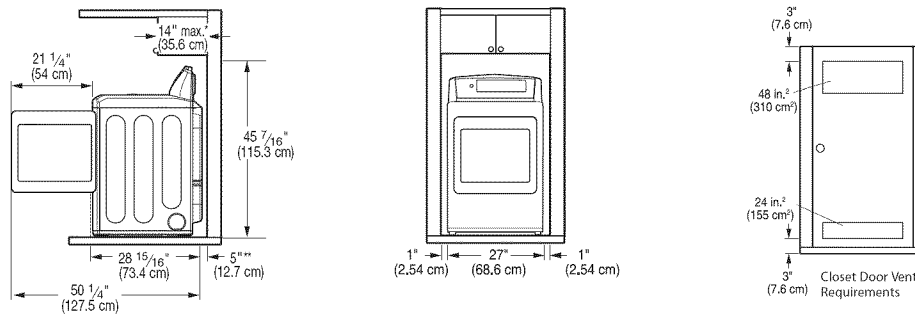
- A location that allows for proper exhaust installation. A gas dryer must be exhausted to the outdoors. See **Venting Requirements**.
- A grounded electrical outlet located within 2 ft. (61 cm) of either side of the dryer. See **Electrical Requirements**.
- A sturdy floor to support the total dryer weight of 200 lbs (90.7 kg). The combined weight of a companion appliance should also be considered.
- No other fuel-burning appliance can be installed in the same closet as a dryer.

Do not operate your dryer at temperatures below 45°F (7°C). At lower temperatures, the dryer might not shut off at the end of an automatic cycle. This can result in longer drying times. The dryer must not be installed or stored in an area where it will be exposed to water and/or weather. Check code requirements. Some codes limit, or do not permit, installation of the dryer in garages, closets, mobile homes or sleeping quarters. Contact your local building inspector.

### 📌 NOTE

- A level floor with a maximum slope of 1 inch (2.5 cm) under entire dryer. If slope is greater than 1 inch (2.5 cm), install the Extended Dryer Feet Kit. Clothes may not tumble properly, and automatic sensor cycles may not operate correctly if dryer is not level.
- For a garage installation, you will need to place the dryer at least 18 inches (46 cm) above the floor. If using a pedestal, you will need 18 inches (46 cm) to the bottom of the dryer.

## Clearances



### INSTALLATION SPACING FOR RECESSED AREA OR CLOSET INSTALLATION

The following spacing dimensions are recommended for this dryer. This dryer has been tested for spacing of 0 inches (0 cm) clearance on the sides and rear. Recommended spacing should be considered for the following reasons:

- Additional spacing should be considered for ease of installation and servicing.
- Additional clearances might be required for wall, door and floor moldings.
- Additional spacing should be considered on all sides of the dryer to reduce noise transfer.
- For closet installation, with a door, minimum ventilation openings in the top and bottom of the door are required. Louvered doors with equivalent ventilation openings are acceptable.
- Companion appliance spacing should also be considered.

### 📌 NOTE

There should be at least a little space around the dryer (or any other appliance) to eliminate the transfer of vibration from one to the other. Too much vibration, it could cause them to make noise or touch each other causing paint damage and making even more noise.

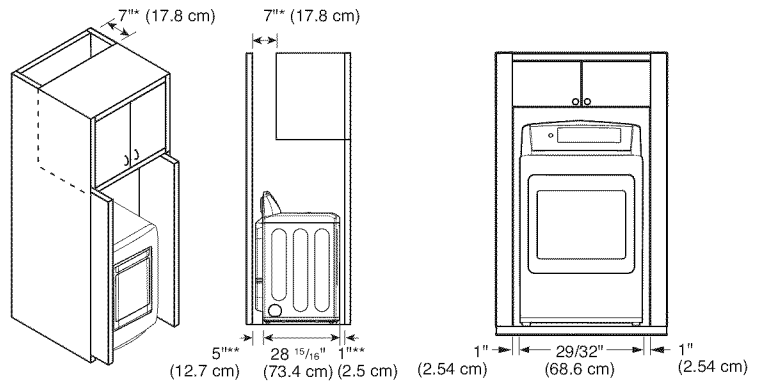
## Clearance (Cont.)

### RECOMMENDED INSTALLATION SPACING FOR CABINET INSTALLATION

• For cabinet installation with a door, minimum ventilation openings in the top of the cabinet are required.

\*Required spacing

\*\*For side or bottom venting, 2 inches (5.1 cm) spacing is allowed.



## Leveling the dryer

### ⚠ WARNING

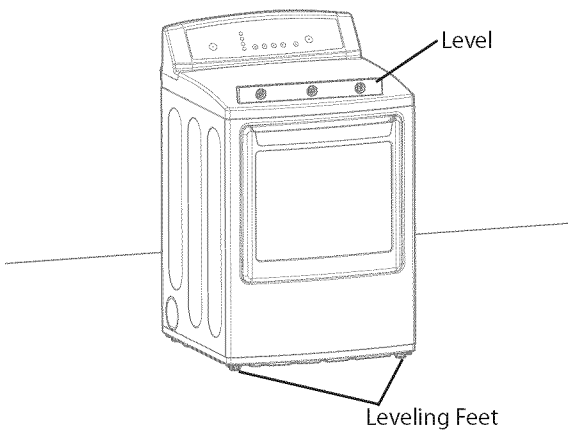
- **To reduce the risk of injury to persons, adhere to all industry recommended safety procedures including the use of long sleeved gloves and safety glasses.** Failure to follow this warning can cause serious injury or death.
- **The appliances are heavy. Two or more people are required when installing the dryer.** Failure to follow this warning can cause serious injury or death.

To ensure that the dryer provides optimal drying performance, it must be level. To minimize vibration, noise, and unwanted movement, the floor must be a perfectly level, solid surface.

### 📌 NOTE

Adjust the leveling feet only as far as necessary to level the dryer. Extending the leveling feet more than necessary can cause the dryer to vibrate.

1. Position the dryer in the final location. Place a level across the top of the dryer.

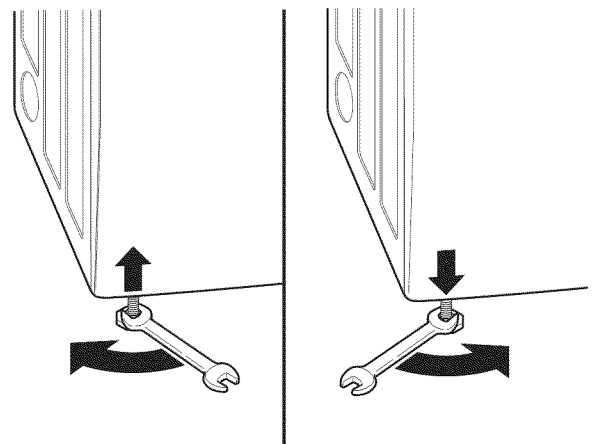


- All four leveling feet must rest solidly on the floor. Gently push on the top corners of the dryer to make sure that the dryer does not rock from corner to corner.

If you are installing the dryer on the optional pedestal, you must use the leveling feet on the pedestal to level the dryer. The dryer leveling feet should be fully retracted.

2. Use an adjustable wrench to turn the leveling feet. Turn clockwise to raise the dryer or counterclockwise to lower it. Raise or lower the leveling feet until dryer is level from side to side and front to back.

Make sure that all 4 leveling feet are in firm contact with the floor.



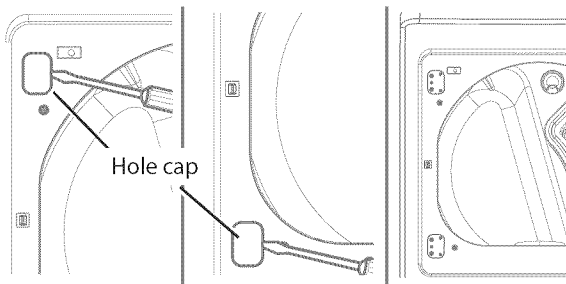
## Reversing the door

### ⚠ WARNING

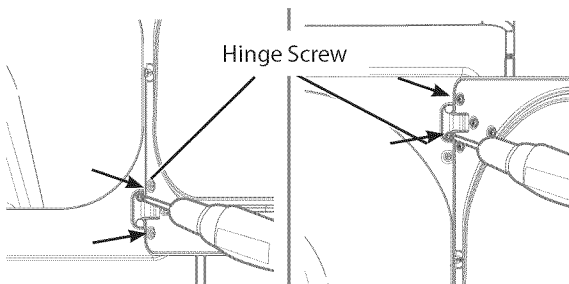
- To avoid damage to the dryer or the door, support the door with a stool or box that fits under the door, or have an assistant support the weight of the door.
- Avoid dropping the door to avoid damage to the door or the floor.

THE DRYER DOOR IS VERY LARGE AND HEAVY. Failure to follow the instructions below can result in damage to the dryer, property damage or injury to persons.

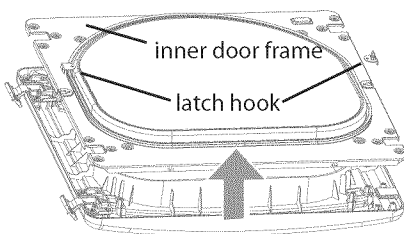
1. Open the door and remove the two plastic hole caps on the catch side by gently prying up with a flat blade screwdriver. Save these for step 6.



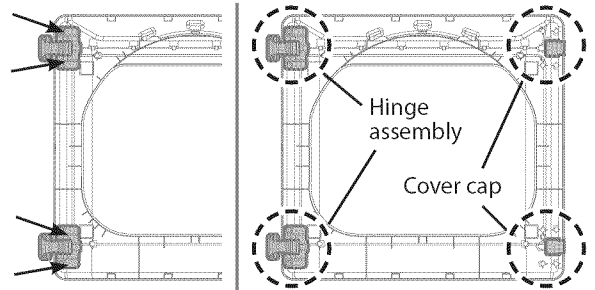
2. While supporting the door, remove the 4 screws, two from each hinge. Set the door aside face down on a protected surface to prevent damage to the door or the work surface.



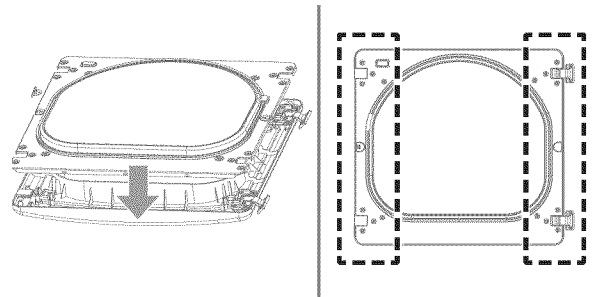
3. With the door on a protected surface, remove the 12 screws on each side of the door and lift off the inner door frame using a flat blade screwdriver. Remove the latch hook and blank and move them to the opposite side.



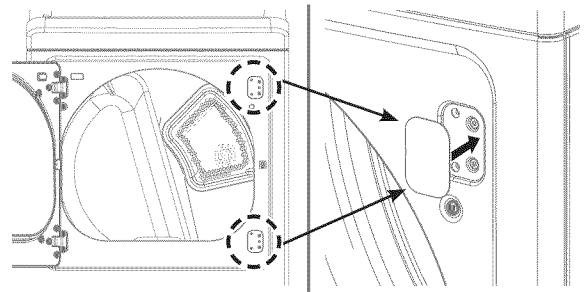
4. Remove the 4 screws securing the hinges to the door frame. Remove the two plastic cover caps. Reinstall the hinges and cover caps on the opposite sides from which they were removed.



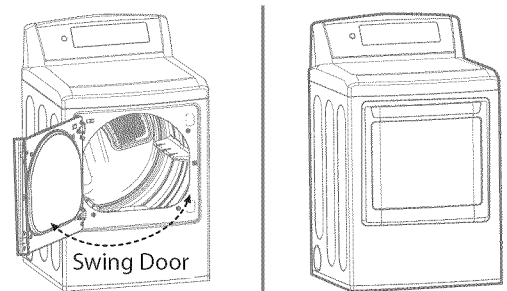
5. With the hinges and cover caps in the new locations, remount the inner door frame onto the outer door frame with the screws removed in step 3 above.



6. Reinstall the door with the screws from step 1,2.



6. Test the swing of the door to make sure the hinges and latch are properly aligned and that the door closes and latches correctly.



## Changing the dryer vent location

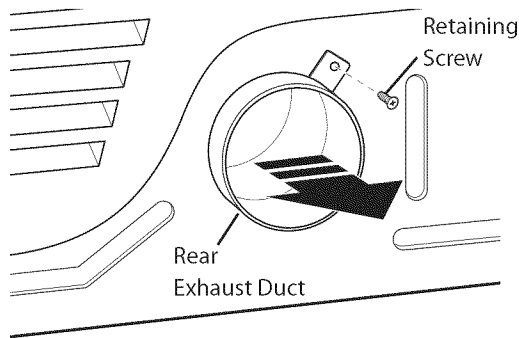
### ⚠️ WARNING

- Use a heavy metal vent.
- Do not use plastic or thin foil duct.
- Clean old ducts before installing this dryer.
- To reduce the risk of personal injury, adhere to all industry recommended safety procedures including the use of long sleeved gloves and safety glasses.
- Failure to follow all of the safety warnings in this manual could result in property damage, injury to person or death.

Your new dryer is shipped to vent to the rear. It can also be configured to vent to the bottom or side (right-side venting is not available on gas models).

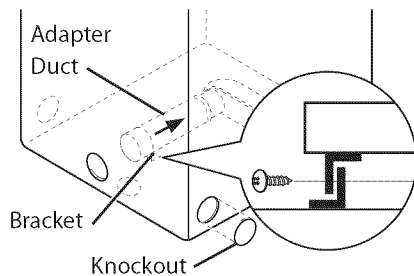
An adapter kit, part number **383EEL9001B**, may be purchased from your LG retailer. This kit contains the necessary duct components to change the dryer vent location.

1. Remove the rear exhaust duct retaining screw. Pull out the exhaust duct.

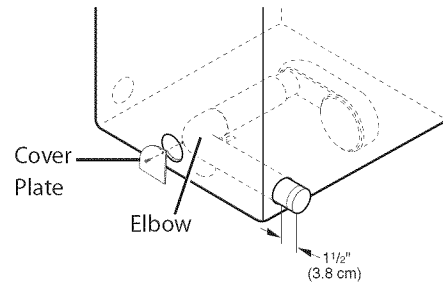


#### OPTION 1: SIDE VENTING

2. Press the tabs on the knockout and carefully remove the knockout for the desired vent opening (right-side venting is not available on gas models). Press the adapter duct onto the blower housing and secure to the base of the dryer as shown.

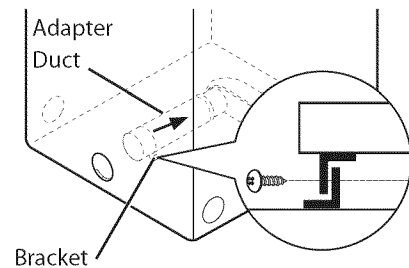


3. Preassemble a 4 inches (10.2 cm) elbow to the next 4-inches (10.2 cm) duct section, and secure all joints with duct tape. Be sure that the male end of the elbow faces AWAY from the dryer. Insert the elbow/duct assembly through the side opening and press it onto the adapter duct. Secure in place with duct tape. Be sure that the male end of the duct protrudes 1½ inches (3.8 cm) to connect the remaining ductwork. Attach cover plate to the back of the dryer with included screw.

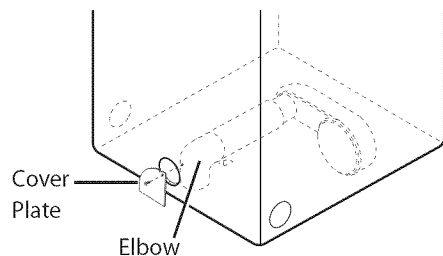


#### OPTION 2: BOTTOM VENTING

2. Press the adapter duct onto the blower housing and secure to the base of the dryer as shown.



3. Insert the 4 inches (10.2 cm) elbow through the rear opening and press it onto the adapter duct. Be sure that the male end of the elbow faces down through hole in the bottom of the dryer. Secure in place with duct tape. Attach the cover plate to the back of the dryer with included screw.



## Venting the dryer

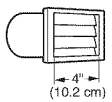
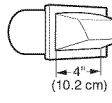
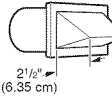
### WARNING

To reduce the risk of fire, electric shock, or personal injury when using this appliance, follow basic precautions, including the following:

- **Do not crush or collapse ductwork.** Failure to follow these instructions can result in fire or death.
- **Do not allow ductwork to rest on or contact sharp objects.** Failure to follow these instructions can result in fire or death.
- **If connecting to existing ductwork, make sure it is suitable and clean before installing the dryer.** Failure to follow these instructions can result in fire or death.
- **Venting must conform to local building codes.** Failure to follow these instructions can result in fire or death.
- **Gas dryers MUST exhaust to the outdoors.** Failure to follow these instructions can result in fire or death.
- **Use only 4-inch (10.2 cm) rigid or flexible metal ductwork inside the dryer cabinet and for venting outside.** Failure to follow these instructions can result in fire or death.
- **To reduce the risk of fire, combustion, or accumulation of combustible gases, DO NOT exhaust dryer air into an enclosed and unventilated area, such as an attic, wall, ceiling, crawl space, chimney, gas vent, or concealed space of a building.** Failure to follow these instructions can result in fire or death.
- **To reduce the risk of fire, DO NOT exhaust the dryer with plastic or thin foil ducting.** Failure to follow these instructions can result in fire or death.
- **The exhaust duct must be 4 inches (10.2 cm) in diameter with no obstructions. The exhaust duct should be kept as short as possible. Make sure to clean any old ducts before installing your new dryer.** Failure to follow these instructions can result in fire or death.
- **Rigid or semirigid metal ducting is recommended for use between the dryer and the wall. In special installations when it is impossible to make a connection with the above recommendations, a UL-listed flexible metal transition duct may be used between the dryer and wall connection only. The use of this ducting will affect drying time.** Failure to follow these instructions can result in fire or death.
- **DO NOT use sheet metal screws or other fasteners which extend into the duct that could catch lint and reduce the efficiency of the exhaust system. Secure all joints with duct tape.** Failure to follow these instructions can result in fire or death.
- **To maximize operating results, please observe the duct length limitations noted in the chart next page.** Failure to follow these instructions can result in fire or death.
- **Ductwork is not provided with the dryer. You should obtain the necessary ductwork locally. The end cap should have hinged dampers to prevent backdraft when the dryer is not in use.** Failure to follow these instructions can result in fire or death.
- **The Total length of flexible metal duct shall not exceed 8 ft. (2.4 m)**
- **In Canada, that only those foil-type flexible ducts, if any, specifically identified for use with the appliance by the manufacturer shall be used.** In the United States, that only those foil-type flexible ducts, if any, specifically identified for use with the appliance by the manufacturer and that comply with the Outline for Clothes Dryer Transition Duct, Subject 2158A, shall be used.

## Venting the dryer (cont.)

### Ductwork

WALL CAP TYPE	NUMBER OF 90° ELBOWS	MAXIMUM LENGTH OF 4-INCH DIAMETER RIGID METAL DUCT
Recommended  	0	65 ft. (19.8 m)
	1	55 ft. (16.8 m)
	2	47 ft. (14.3 m)
	3	36 ft. (11.0 m)
	4	28 ft. (8.5 m)
Use Only for Short Run Installations 	0	55 ft. (16.8 m)
	1	47 ft. (14.3 m)
	2	41 ft. (12.5 m)
	3	30 ft. (9.1 m)
	4	22 ft. (6.7 m)

#### NOTE

Deduct 6 ft. (1.8 m) for each additional elbow. It is not recommended to use more than four 90° elbows.

### ROUTING AND CONNECTING DUCTWORK

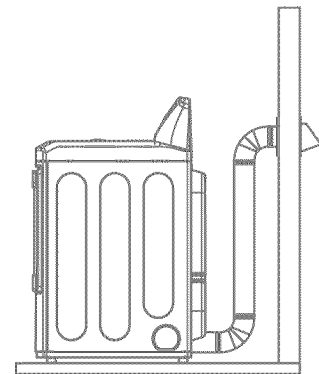
#### NOTE

Follow the guidelines below to maximize drying performance and reduce lint buildup and condensation in the ductwork.

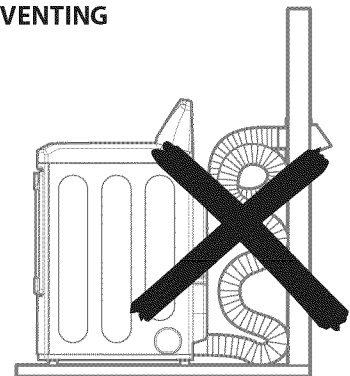
Ductwork and fittings are NOT included and must be purchased separately.

- Use 4-inch (10.2 cm) diameter rigid or semirigid metal ductwork.
- The exhaust duct run should be as short as possible.
- Use as few elbow joints as possible.
- The male end of each section of exhaust duct must point away from the dryer.
- Use duct tape on all duct joints.
- Insulate ductwork that runs through unheated areas in order to reduce condensation and lint buildup on duct surfaces.
- Failure to exhaust the dryer correctly will void the dryer's warranty.

#### CORRECT VENTING



#### INCORRECT VENTING



## Connecting gas dryers

### WARNING

To reduce the risk of fire, electric shock, or personal injury when using this appliance, follow basic precautions, including the following:

- **Gas supply requirements:**  
As shipped from the factory, this dryer is configured for use with natural gas. It can be converted for use with LP (Liquefied Propane) gas. Gas pressure must not exceed 13 inches of water column.
- **A qualified service or gas company technician must connect the dryer to the gas service.**  
Failure to do so can result in fire, explosion, or death.
- **Isolate the dryer from the gas supply system by closing its individual manual shutoff valve during any pressure testing of the gas supply.** Failure to do so can result in fire, explosion, or death.
- **Supply line requirements:**  
Your laundry room must have a rigid gas supply line to your dryer. In the United States, an individual manual shutoff valve **MUST** be installed within at least 6 ft. (1.8 m) of the dryer, in accordance with the National Fuel Gas Code ANSI Z223.1 or Canadian gas installation code CSA B149.1. A  $\frac{1}{8}$ -inch NPT pipe plug must be installed. Failure to do so can result in fire, explosion, or death
- **If using a rigid pipe, the rigid pipe should be  $\frac{1}{2}$ -inch IPS. If acceptable under local codes and ordinances and when acceptable to your gas supplier,  $\frac{3}{8}$ -inch approved tubing may be used where lengths are less than 20 ft. (6.1 m). Larger tubing should be used for lengths in excess of 20 ft. (6.1 m).**  
Failure to do so can result in fire, explosion, or death.
- **Connect the dryer to the type of gas shown on the nameplate.**  
Failure to do so can result in fire, explosion, or death.
- **To prevent contamination of the gas valve, purge the gas supply of air and sediment before connecting the gas supply to the dryer. Before tightening the connection between the gas supply and the dryer, purge remaining air until the odor of gas is detected.** Failure to do so can result in fire, explosion, or death.
- **DO NOT use an open flame to inspect for gas leaks. Use a noncorrosive leak-detection fluid.** Failure to do so can result in fire, explosion, or death.
- **Use only a new AGA- or CSA-certified gas supply line with flexible stainless steel connectors.** Failure to do so can result in fire, explosion, or death.
- **Securely tighten all gas connections.** Failure to do so can result in fire, explosion, or death.
- **DO NOT attempt any disassembly of the dryer; any disassembly requires the attention and tools of an authorized and qualified service person or company.** Failure to do so can result in fire, explosion, or death.
- **Use a pipe-joint compound that is insoluble in Liquefied Petroleum (LP) gas on all pipe threads.** Failure to do so can result in fire, explosion, or death.

### *Electrical Requirements for Gas Models Only*

### WARNING

To reduce the risk of fire, electric shock, or personal injury when using this appliance, follow basic precautions, including the following:

- **Do not, under any circumstances, cut or remove the third (ground) prong from the power cord.** Failure to follow this warning can result in fire, explosion, or death.
- **For personal safety, this dryer must be properly grounded.**  
Failure to follow this warning can result in fire, explosion, or death.
- **The power cord of this dryer is equipped with a 3-prong (grounding) plug which mates with a standard 3-prong (grounding) wall outlet to minimize the possibility of electric shock hazard from this appliance.** Failure to follow this warning can result in fire, explosion, or death.
- **This dryer must be plugged into a 60 Hz, 120 VAC. grounded outlet protected by a 15-ampere fuse or circuit breaker.** Failure to follow this warning can result in fire, explosion, or death.
- **Where a standard 2-prong wall outlet is encountered, it is your personal responsibility and obligation to have it replaced with a properly grounded 3-prong wall outlet.** Failure to follow this warning can result in fire, explosion, or death.

## Connecting gas dryers (cont.)

### ⚠️ WARNING

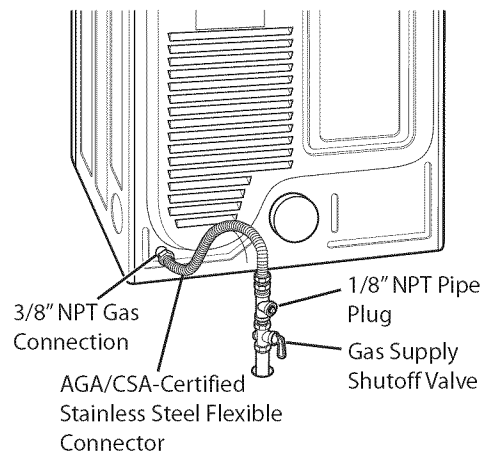
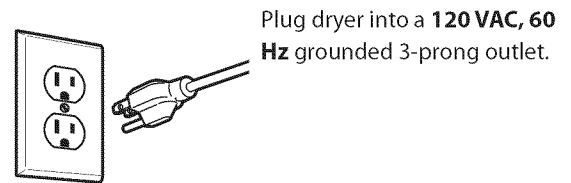
To reduce the risk of fire, electric shock, or personal injury when using this appliance, follow basic precautions, including the following:

- **Installation and service must be performed by a qualified installer, service agency, or the gas supplier.** Failure to do so can result in fire, explosion, or death.
- **Use only a new stainless steel flexible connector and a new AGA-certified connector.** Failure to do so can result in fire, explosion, or death.
- **A gas shutoff valve must be installed within 6 ft. (1.8 m) of the dryer.** Failure to do so can result in fire, explosion, or death.
- **The dryer is configured for Natural Gas when shipped from the factory. Make sure that the dryer is equipped with the correct burner orifice for the type of gas being used (Natural Gas or Liquefied Petroleum).** Failure to do so can result in fire, explosion, or death.
- **If necessary, the correct orifice (for the LP orifice kit order part number 383EEL3002D) should be installed by a qualified technician and the change should be noted on the dryer.** Failure to do so can result in fire, explosion, or death.
- **All connections must be in accordance with local codes and regulations.** Failure to do so can result in fire, explosion, or death.
- **Gas dryers MUST exhaust to the outdoors.** Failure to do so can result in fire, explosion, or death.

### Connecting the Gas Supply

1. Make sure that the gas supply to the laundry room is turned OFF. Confirm that the type of gas available in your laundry room is appropriate for the dryer. The dryer is prepared for Natural Gas with a  $\frac{3}{8}$  - inch NPT gas connection.
2. Remove the shipping cap from the gas connection at the back of the dryer. Be careful not to damage the threads of the gas connector when removing the shipping cap.
3. Connect the dryer to your laundry room's gas supply using a new flexible stainless steel connector with a  $\frac{3}{8}$  - inch NPT fitting.
4. Securely tighten all connections between the dryer and your laundry room's gas supply. Turn on your laundry room's gas supply and check all pipe connections (both internal and external) for gas leaks with a noncorrosive leak-detection fluid.

### Electrical Connection



### High-Altitude Installations

The BTU rating of this dryer is AGA-certified for elevations below 10,000 feet.

If your gas dryer is being installed at an elevation above 10,000 feet, it must be derated by a qualified technician or gas supplier.

## Connecting electric dryers

### ⚠ WARNING

To help prevent fire, electric shock, serious injury, or death, the wiring and grounding must conform to the latest edition of the National Electrical Code, ANSI/NFPA 70 and all applicable local regulations. Please contact a qualified electrician to check your home's wiring and fuses to ensure that your home has adequate electrical power to operate the dryer.

#### *Electrical Requirements for Electric Models Only*

### ⚠ WARNING

To reduce the risk of fire, electric shock, or injury to persons when using this appliance, follow basic precautions, including the following:

- **This dryer must be connected to a grounded metal, permanent wiring system, or an equipment-grounding conductor must be run with the circuit conductors and connected to the equipment-grounding terminal or lead on the dryer.** Failure to do so can result in fire, explosion, or death.
- **The dryer has its own terminal block that must be connected to a separate 240 VAC, 60-Hertz, single-phase circuit, fused at 30 amperes (the circuit must be fused on both sides of the line). ELECTRICAL SERVICE FOR THE DRYER SHOULD BE OF THE MAXIMUM RATE VOLTAGE LISTED ON THE NAMEPLATE. DO NOT CONNECT DRYER TO 110-, 115-, OR 120-VOLT CIRCUIT.** Failure to follow these instructions can result in fire, explosion, or death.
- **If branch circuit to dryer is 15 ft. (4.5 m) or less in length, use UL (Underwriters Laboratories) listed No.-10 AWG wire (copper wire only), or as required by local codes. If over 15 ft. (4.5 m), use UL-listed No.-8 AWG wire (copper wire only), or as required by local codes. Allow sufficient slack in wiring so dryer can be moved from its normal location when necessary.** Failure to do so can result in fire, explosion, or death.
- **The power cord (pigtail) connection between wall receptacle and dryer terminal block IS NOT supplied with dryer. Type of pigtail and gauge of wire must conform to local codes and with instructions on the following pages.** Failure to follow these instructions can result in fire, explosion, or death.
- **A 4-wire connection is required for all mobile and manufactured home installations, as well as all new construction after January 1, 1996. A 4-wire connection must be used where local codes do not permit grounding through the neutral wire.** Failure to do so can result in fire, explosion, or death.

### ⚠ WARNING

To reduce the risk of fire, electric shock, or personal injury when using this appliance, follow basic precautions, including the following:

- **Do not modify the plug and internal wire provided with the dryer.**
- **The dryer should be connected to 4-hole outlet.**
- **If it does not fit the outlet, a proper outlet will need to be installed by a qualified electrician.**

### ⚠ WARNING

To reduce the risk of fire, electric shock, or personal injury when using this appliance, follow basic precautions, including the following:

- **Any installation in a manufactured or mobile home must comply with the Manufactured Home Construction and Safety Standards Title 24 CFR, Part 32-80 or Standard CAN/CSA0Z240 MH and local codes and ordinances.**
- **A 4-wire connection is required for all mobile and manufactured home installations, as well as all new construction after January 1, 1996.** Failure to do so can result in fire, explosion, or death.

## Connecting electric dryers (cont.) USA only

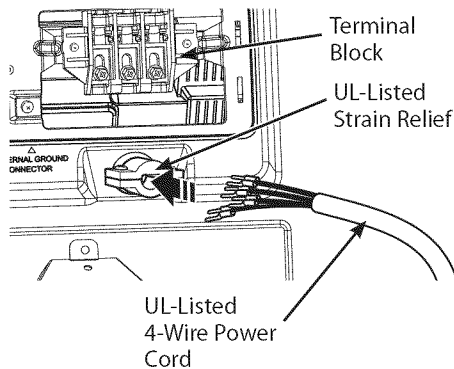
### ⚠️ WARNING

- Connect the power cord to the terminal block. Each colored wire should be connected to same color screw. Wire color indicated on manual is connected to the same color screw in block. Failure to follow these instructions may result in a short or overload.
- Grounding through the neutral conductor is prohibited for: (1) new branch-circuit installations, (2) mobile homes, (3) recreational vehicles, and (4) areas where local codes prohibit grounding through the neutral conductor.



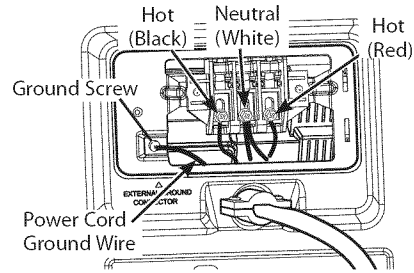
### Four-Wire Connection for Electric Dryers: Power Cord

- A 4-wire connection is required for all mobile and manufactured home installations, as well as all new construction after January 1, 1996.
  - A UL-listed strain relief is required.
1. Remove the terminal block access cover on the upper back of the dryer. Install a UL-listed strain relief into the power cord through-hole; then thread a UL-listed, **30 A, 240 V, 4-wire, #10 AWG-minimum copper** conductor power cord through the strain relief.



- Use a **30 A, 240 V, UL-listed power cord with #10 AWG-minimum copper** conductor and closed loop or forked terminals with upturned ends.

2. Transfer the dryer's ground wire from behind the green ground screw to the center screw of the terminal block. Attach the two hot leads of the power cord to the outer terminal block screws. Attach the white neutral wire to the center terminal block screw. Attach the power cord ground wire to the green ground screw. **TIGHTEN ALL SCREWS SECURELY.** Reinstall the terminal block access cover.



## Connecting electric dryers (cont.) USA only

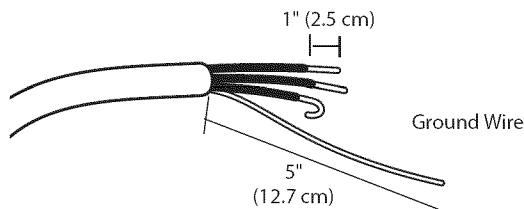
### ⚠ WARNING

- Connect the power cord to the terminal block. Each colored wire should be connected to same color screw. Wire color indicated on manual is connected to the same color screw in block. Failure to follow these instructions may result in a short or overload.
- Grounding through the neutral conductor is prohibited for: (1) new branch-circuit installations, (2) mobile homes, (3) recreational vehicles, and (4) areas where local codes prohibit grounding through the neutral conductor.

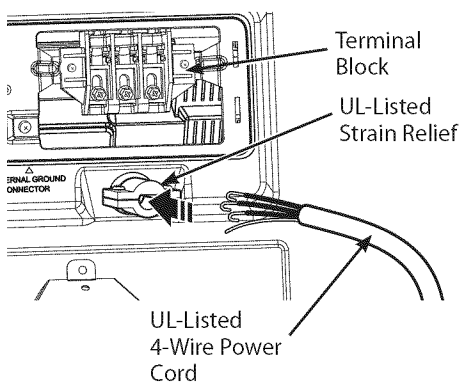
### Four-Wire Connection for Electric Dryers: Direct Wire

- A 4-wire connection is required for all mobile and manufactured home installations, as well as all new construction after January 1, 1996.
- A UL-listed strain relief is required.

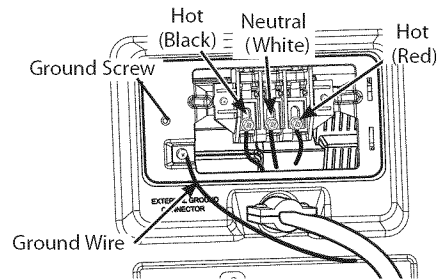
1. Remove 5 inches (12.7 cm) of the outer covering from the wire. Remove 5 inches of insulation from the ground wire. Cut off approximately 1½ inches (3.8 cm) from the other three wires and strip 1 inch (2.5 cm) insulation from each wire. Bend the ends of the three shorter wires into a hook shape.



2. Remove the terminal block access cover on the upper back of the dryer. Install a UL-listed strain relief into the power cord through-hole; then thread the power cable prepared in Step 1 through the strain relief.



- Use UL-listed **4-wire #10 AWG-minimum copper** conductor cable.
  - Allow at least 5 ft. (1.5 m) length to allow for removal and reinstallation of the dryer.
3. Transfer the dryer's ground wire from behind the green ground screw to the center screw of the terminal block. Attach the two hot leads of the power cable to the outer terminal block screws. Attach the white neutral wire to the center terminal block screw. Attach the power cable ground wire to the green ground screw. TIGHTEN ALL SCREWS SECURELY. Reinstall the terminal block access cover.



## Connecting electric dryers (cont.) USA only

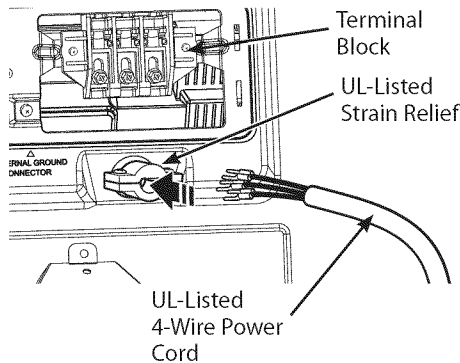
### ⚠️ WARNING

- Connect the power cord to the terminal block. Each colored wire should be connected to same color screw. Wire color indicated on manual is connected to the same color screw in block. Failure to follow these instructions may result in a short or overload.
- Grounding through the neutral conductor is prohibited for: (1) new branch-circuit installations, (2) mobile homes, (3) recreational vehicles, and (4) areas where local codes prohibit grounding through the neutral conductor.

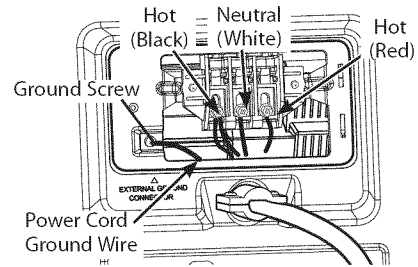


### Three-Wire Connection for Electric Dryers: Power Cord

- A 3-wire connection is NOT permitted on new construction after January 1, 1996.
  - A UL-listed strain relief is required.
1. Remove the terminal block access cover on the upper back of the dryer. Install a UL-listed strain relief into the power cord through-hole; then thread a UL-listed, **30 A, 240 V, 3-wire, #10 AWG-minimum copper** conductor power cord through the strain relief.



- Use a **30 A, 240 V, UL-listed power cord with #10 AWG-minimum copper** conductor and closed loop or forked terminals with upturned ends.
2. Attach the two hot leads of the power cord to the outer terminal block screws. Attach the neutral wire to the center terminal block screw. Connect the external ground (if required by local codes) to the green ground screw. **TIGHTEN ALL SCREWS SECURELY.** Reinstall the terminal block access cover.



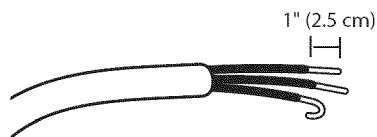
## Connecting electric dryers (cont.) USA only

### ⚠ WARNING

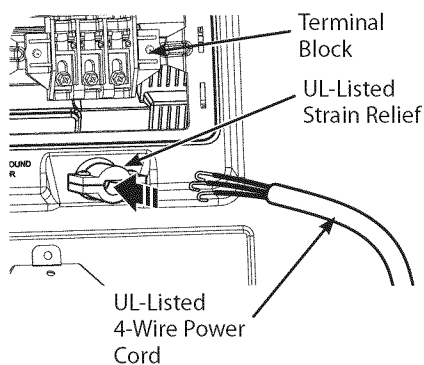
- Connect the power cord to the terminal block. Each colored wire should be connected to same color screw. Wire color indicated on manual is connected to the same color screw in block. Failure to follow these instructions may result in a short or overload.
- Grounding through the neutral conductor is prohibited for: (1) new branch-circuit installations, (2) mobile homes, (3) recreational vehicles, and (4) areas where local codes prohibit grounding through the neutral conductor.

### Three-Wire Connection for Electric Dryers: Direct Wire

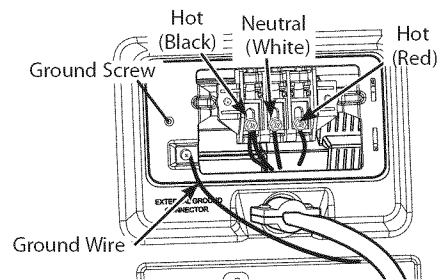
- A 3-wire connection is NOT permitted on new construction after January 1, 1996.
  - A UL-listed strain relief is required.
1. Remove 3½ inches (8.9 cm) of the outer covering from the wire. Strip 1 inch (2.5 cm) insulation from each wire. Bend the ends of the three wires into a hook shape.



2. Remove the terminal block access cover on the upper back of the dryer. Install a UL-listed strain relief into the power cord through-hole; then thread the power cable prepared in Step 1 through the strain relief.



- Use UL-listed **3-wire #10 AWG-minimum copper** conductor cable.
  - Allow at least 5 ft. (1.5 m) length to allow for removal and reinstallation of the dryer.
3. Attach the two hot leads of the power cord to the outer terminal block screws. Attach the neutral wire to the center terminal block screw. Connect the external ground (if required by local codes) to the green ground screw. **TIGHTEN ALL SCREWS SECURELY.** Reinstall the terminal block access cover.



## Special requirements for manufactured or mobile homes

Any installation in a manufactured or mobile home must comply with the Manufactured Home Construction and Safety Standards Title 24 CFR, Part 32-80 or Standard CAN/CSA0Z240 MH and local codes and ordinances. If you are uncertain whether your proposed installation will comply with these standards, please contact a service and installation professional for assistance.

- A gas dryer must be permanently attached to the floor.
- The electrical connection for an electric dryer must be a 4-wire connection. More detailed information concerning the electrical connection is provided in the section Connecting Electric Dryers.
- To reduce the risk of combustion and fire, the dryer must be vented to the outside.
- DO NOT vent the dryer under a manufactured home or mobile home.
- Electric dryers may be vented to the outside using the back, left, right, or bottom panel.
- Gas dryers may be vented to the outside using the back, left, or bottom panel. Gas dryers may not be vented to the outside using the right side panel because of the burner housing.
- The dryer exhaust duct must be affixed securely to the manufactured or mobile home structure, and the exhaust duct must be made of a material that will resist fire and combustion. It is recommended that you use a rigid or flexible metal duct.
- DO NOT connect the dryer exhaust duct to any other duct, vent, chimney, or other exhaust duct.
- Make sure the dryer has adequate access to outside fresh air to ensure proper operation. The opening for outside fresh air must be at least 25 in<sup>2</sup> (163 cm<sup>2</sup>).
- It is important that the clearance of the duct from any combustible construction be at least 2 inches (5 cm), and when venting the dryer to the outdoors, the dryer can be installed with a clearance of 1 inch (2.5 cm) at the sides and back of the dryer.
- Please be aware that venting materials are not supplied with the dryer. You should obtain the venting materials necessary for proper installation.

## Final installation check

Once you have completed the installation of the dryer and it is in its final location, confirm proper operation with the following tests and Duct Condition Testing on the following page.

### Testing Dryer Heating

#### GAS MODELS

Close the dryer door, press the ON/OFF switch to turn the dryer on, and start the dryer on a heat setting. When the dryer starts, the igniter should ignite the main burner.

#### NOTE

If all air is not purged from the gas line, the gas igniter may turn off before the main burner ignites. If this happens, the igniter will reattempt gas ignition after approximately two minutes.

#### ELECTRIC MODELS

Close the dryer door, press the ON/OFF switch to turn the dryer on, and start the dryer on a heat setting. The exhaust air should be warm after the dryer has been operating for 3 minutes.

### Checking Airflow

Effective dryer operation requires proper airflow. The adequacy of the airflow can be measured by evaluating the static pressure. Static pressure in the exhaust duct can be measured with a manometer, placed on the exhaust duct approximately 2 ft. (60.9 cm) from the dryer. Static pressure in the exhaust duct should not exceed 0.6 inches (1.5 cm). The dryer should be checked while the dryer is running with no load.

### Checking Levelness

Once the dryer is in its final location, recheck the dryer to be sure it is level. Make sure it is level front to back and side to side, and that all 4 leveling feet are firmly on the floor.

## Installation test (Exhaust check)

Once you have completed the installation of the dryer, use this test to make sure the condition of the exhaust system is adequate for proper operation of the dryer. This test should be performed to alert you to any serious problems in the exhaust system of your home.

- Your dryer features FLOW SENSE™, an innovative sensing system that automatically detects blockages and restrictions in dryer ductwork. Keeping ductwork clean of lint buildup and free of restrictions allows clothes to dry faster and reduces energy use.

### NOTE

The dryer should be cool before starting this test. If the dryer was warmed up during installation, run the AIR DRY cycle for a few minutes to reduce the interior temperature.

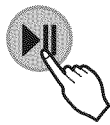
#### To activate the Installation test:

1. Press and hold the TEMP. and SIGNAL buttons at the same time. While holding these buttons, press POWER ON/OFF



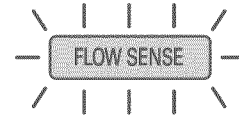
2. The dryer will show InS in the number display to indicate that it is in duct condition testing mode.

3. Press the START/PAUSE button.  
The dryer will run for approximately 2 minutes to test for blockages or restrictions to air flow in the ductwork.



4. **Check the display for results.**


During the two minute test cycle, monitor the FLOW SENSE display on the control panel. If FLOW SENSE is displayed, when the cycle ends, the exhaust system is adequate. If the exhaust system is severely restricted, the display will show FLOW SENSE. Other problems may also be shown with error codes. Refer to the next page for error code details and solutions.



Lighting : Restricted

FLOW SENSE indicates that the exhaust system is severely restricted. Have the system checked immediately, as performance will be poor.

5. **END of Cycle.**

At the end of the test cycle,  will display. The test cycle will end and the dryer will shut off automatically after a short delay.

## Installation test (Exhaust check) (cont.)

- Check the Error Code before you call for service

Error Code	Possible Causes	Solutions
<b>tE</b>	• Temperature sensor failure	• Turn off the dryer and call for service.
<b>HS</b>	• Humidity Sensor failure.	• Turn off the dryer and call for service.
<b>PS, PF or nP</b>	<ul style="list-style-type: none"> <li>• Electric dryer power cord is not connected correctly, or house power supply is incorrect.</li> <li>• House fuse is blown, circuit breaker has tripped, or power outage has occurred.</li> </ul>	<ul style="list-style-type: none"> <li>• Check the power supply or the connection of power cord to the terminal block. Refer to the Connecting Electric Dryers section of this manual for complete instructions.</li> <li>• Reset circuit breaker or replace fuse. Do not increase the fuse capacity. If the problem is a circuit overload, have it corrected by a qualified electrician.</li> </ul>

### • Check the duct condition

If the test displays FLOW SENSE, check the exhaust system for restrictions and damage. Repair or replace the exhaust system as needed.

### NOTE

When the dryer is first installed, this test should be performed to alert you to any existing problems with the exhaust duct in your home. However, since the test performed during normal operation provides more accurate information on the condition of the exhaust duct than does the installation test, FLOW SENSE displayed during the two tests may not be the same.

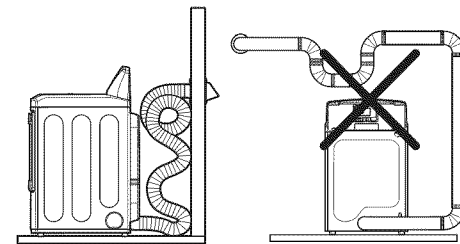
Do not interrupt the test cycle, as this could result in the wrong results.

Even if FLOW SENSE is not displayed during the test cycle, some restrictions may still be present in the exhaust system. Refer to the Venting the Dryer section of this manual for complete exhaust system and venting requirements.

### Restricted or Blocked Airflow



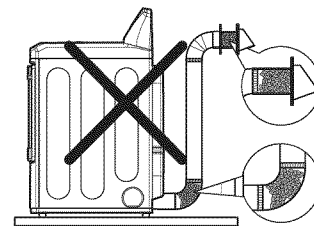
Avoid long runs or runs with multiple elbows or bends.



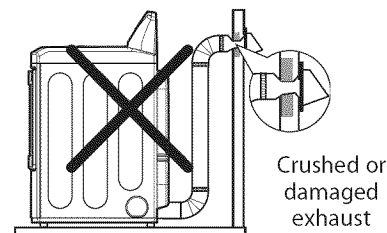
Excess or crushed transition duct

Too many elbows or exhaust too long

Check for blockages and lint buildup.

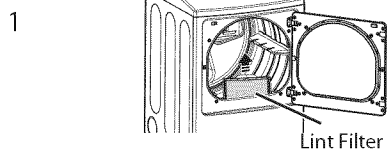


Make sure the ductwork is not crushed or restricted.



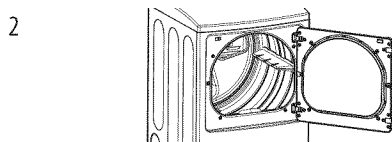
# HOW TO USE

## Operating the dryer



### CLEAN THE LINT FILTER

If the lint filter has not already been cleaned, lift out the filter and remove the lint from the last load. This will help ensure the fastest and most efficient drying performance.



### LOAD THE DRYER

Load the dryer with the wet laundry from the washer. If the load is extra large, you may need to divide it into smaller loads for proper performance and fabric care.



### TURN ON THE DRYER

Press the POWER button to turn on the dryer. The cycle LEDs will illuminate and a signal will sound, if turned on. Refer to page 10.



### SELECT A CYCLE

Push the cycles button until the LED for the desired cycle is on. The preset temperature, dry level, and option settings for that cycle will be shown. Refer to page 29. Default settings for the selected cycle can now be changed if desired. This can be done using the cycle modifier buttons as shown on page 31. Cycle options can be added using the option buttons as shown on page 31.

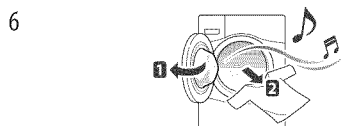
### NOTE

Not all options or modifiers are available on all cycles. A different chime will sound and the LED will not come on if the selection is not allowed.



### BEGIN CYCLE

Press the START/PAUSE button to begin the cycle. The cycle can be paused at any time either by opening the door or by pressing the START/PAUSE button. If the cycle is not restarted within 4 minutes, the dryer will shut off and the cycle settings will be lost.



### END OF CYCLE

When the cycle is finished, the chime will sound if it is set. Remove your clothing from the dryer immediately to reduce wrinkling. If WRINKLE CARE is selected, the dryer will tumble briefly every few minutes to help prevent wrinkles from setting in the clothes.

## Cycle guide

○ = Available option

Cycle	Fabric Type	Dry Level	Temperature	Time in Min.	More Time/ Less Time	Wrinkle Care
BULKY/ BEDDING	Comforters, pillows, shirt	NORMAL	MEDIUM	55		
		ADJUSTABLE				
PERM. PRESS CASUAL	Permanent press, synthetic items	NORMAL	LOW	32		○
		ADJUSTABLE				
COTTON/ NORMAL	Work clothes, corduroys, etc.	NORMAL	MEDIUM	41		○
		ADJUSTABLE				
HEAVY DUTY	Jeans, heavyweight items	NORMAL	HIGH	54		○
		ADJUSTABLE				
DELICATES	Lingerie, sheets, blouses	NORMAL	LOW	28		○
		ADJUSTABLE				
FRESHEN UP	For removing light wrinkles from clothing	OFF	MEDIUM HIGH	20	○	○
			ADJUSTABLE	ADJUSTABLE		
SPEED DRY	For small loads with short drying times	OFF	HIGH	25	○	○
			ADJUSTABLE	ADJUSTABLE		
AIR DRY	For items that require heat-free drying such as plastics or foam filled items	OFF	NO HEAT	30	○	○
				ADJUSTABLE		

### Sensor Dry Cycles

Sensor Dry cycles utilize LG's unique dual sensor system to detect and compare the moisture level in clothes and in the air and adjust the drying time as needed to ensure superior results. The dryer automatically sets the dryness level and temperature at the recommended setting for each cycle. The estimated time remaining will be shown in the display.

### Manual Dry Cycles

Use Manual Dry cycles to select a specific amount of drying time and a drying temperature. When a Manual Dry cycle is selected, the ESTIMATED TIME REMAINING display shows the actual time remaining in your cycle. You can change the actual time in the cycle by pressing MORE TIME or LESS TIME.

### NOTE

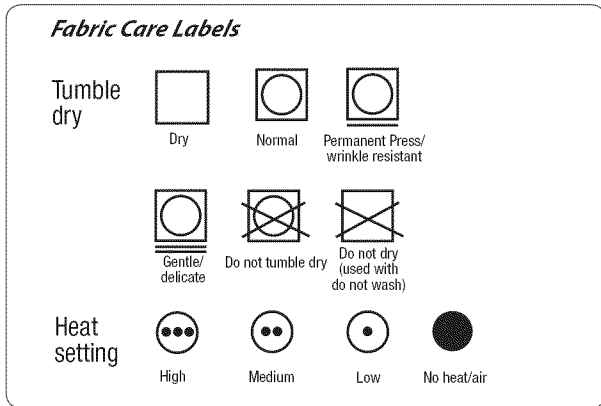
To protect your garments not every dryness level, temperature, or option is available with every cycle. See the Cycle Guide for details.

Following are instructions for starting and using your new dryer. Please refer to specific sections of this manual for more detailed information.

## Sorting load

### Fabric Care Labels

Most articles of clothing feature fabric care labels that include instructions for proper care.



### Grouping Similar Items

For best results, sort clothes into loads that can be dried with the same drying cycle.

Different fabrics have different care requirements, and some fabrics will dry more quickly than others.

## Loading the Dryer

### ⚠ WARNING

To reduce the risk of fire, electric shock, or injury to persons when using this appliance, follow basic precautions, including the following:

- **Check all pockets to make sure that they are empty. Items such as clips, pens, coins, and keys can damage both your dryer and your clothes. Flammable objects such as lighters or matches could ignite, causing a fire.** Failure to do so can result in fire, explosion, or death.
- **Never dry clothes that have been exposed to oil, gasoline, or other flammable substances. Washing clothes will not completely remove oil residues.** Failure to obey this warning can result in fire, explosion, or death.

### Loading Tips

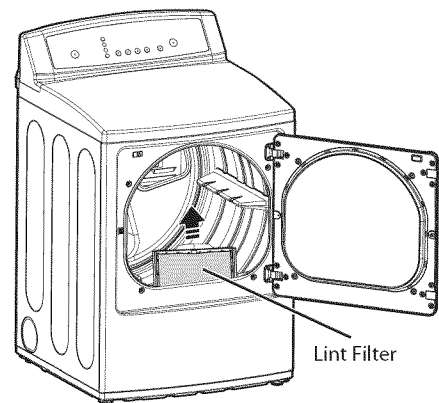
- Combine large and small items in a load.
- Damp clothes will expand as they dry. Do not overload the dryer; clothes require room to tumble dry properly.
- Close zippers, hooks, and drawstrings to prevent these items from snagging or tangling on other clothes.

## Check the lint filter before every load

Always make sure the lint filter is clean before starting a new load; a clogged lint filter will increase drying times.

To clean, pull the lint filter straight up and roll any lint off the filter with your fingers. Do not rinse or wash the filter to remove lint. Push the lint filter firmly back into place. See **Regular Cleaning** for more information.

Always ensure the lint filter is properly installed before running the dryer. Running the dryer with a loose or missing lint filter will damage the dryer and articles in the dryer.



## Cycle setting buttons

SENSOR DRY cycles have preset settings that are selected automatically. MANUAL DRY cycles have default settings, but you may also customize the settings using the cycle setting buttons. Press the button for that option to view and select other settings.

### NOTE

To protect your garments, not every dryness level, temperature, or option is available with every cycle. See the Cycle Guide for details.

#### DRY LEVEL

Selects the level of dryness for the cycle. Press the DRY LEVEL button repeatedly to scroll through available settings.

- This option is only available with SENSOR DRY cycles.
- The dryer will automatically adjust the cycle time. Selecting MORE DRY or VERY DRY will increase the cycle time, while LESS DRY or DAMP DRY will decrease the cycle time.
- Use a LESS DRY or DAMP DRY setting for items that you wish to iron.

#### TEMP.

Adjusts the temperature setting from ULTRA LOW to HIGH. This allows precise care of your fabrics and garments. Press the TEMP. button repeatedly to scroll through available settings.

#### TIME DRY

Allows you to manually select the drying time, from 20 to 60 minutes, in 10-minute increments. Use this for small loads or to remove wrinkles. Use the MORE TIME/LESS TIME buttons to add or reduce the drying time in 1-minute increments.

Your dryer features several additional cycle options to customize cycles to meet your individual needs. Certain option buttons also feature a special function (see the following page for details) that can be activated by pressing and holding that option button for 3 seconds.

#### To Add Cycle Options to a Cycle:

1. Turn on the dryer and press the cycle selector buttons to select the desired cycle.
2. Use the cycle settings buttons to adjust the settings for that cycle.
3. Press the cycle option button(s) for the option you would like to add. A confirmation message will be shown in the display.
4. Press the START/PAUSE button to start the cycle. The dryer will start automatically.

#### WRINKLE CARE

Selecting this option will tumble the load periodically for up to 3 hours after the selected cycle, or until the door is opened. This is helpful in preventing wrinkles when you are unable to remove items from the dryer immediately.

#### SIGNAL

Adjusts the volume of the Signal or turns off the Signal. Press the button repeatedly until the desired volume setting is illuminated.

## Special functions

The option buttons also activate special functions, including CHILD LOCK.

Press and hold the option button marked with the special function

#### \* CHILD LOCK

Use this option to prevent unwanted use of the dryer or to keep cycle settings from being changed while the dryer is operating. Press and hold the SIGNAL button for 3 seconds to activate or deactivate the CHILD LOCK function.

The CHILD LOCK icon will be shown in the display, and all controls are disabled except the POWER button.

### NOTE

Once set, CHILD LOCK remains active until it is manually deactivated. CHILD LOCK must be turned off to run another cycle. To deactivate CHILD LOCK, press and hold the SIGNAL button for three seconds.

## Custom program

If you have a special combination of settings that you use frequently, you can save these settings as a CUSTOM PROGRAM.

#### \* To Save a Custom Program:

1. Turn on the dryer and press the cycle selector buttons to select the desired cycle.
2. Use the cycle setting buttons to adjust the settings for that cycle.
3. Press the cycle option button(s) for the option you would like to add. A confirmation message will be shown in the display.
4. Press and hold the CUSTOM PROGRAM button for 3 seconds.

### NOTE

You may save only one custom program at a time. Pressing and holding the CUSTOM PROGRAM button will overwrite any previously saved custom program.

#### To Recall a Custom Program:

1. Turn on the dryer.
2. Press the CUSTOM PROGRAM button to select the saved cycle.
3. Press the START/PAUSE button to start the cycle.

# MAINTENANCE

## Regular cleaning

### ⚠ WARNING

To reduce the risk of fire, electric shock, or personal injury when using this appliance, follow basic precautions, including the following:

- **Unplug the dryer before cleaning to avoid the risk of electric shock.** Failure to follow this warning can cause serious injury, fire, electrical shock, or death.
- **Never use harsh chemicals, abrasive cleaners, or solvents to clean the washer.** They will damage the finish.

### Cleaning the Exterior

Proper care of your dryer can extend its life. The outside of the machine can be cleaned with warm water and a mild, nonabrasive household detergent. Immediately wipe off any spills with a soft, damp cloth.

### ⓘ NOTE

Do not use methylated spirits, solvents, or similar products. Never use steel wool or abrasive cleansers; they can damage the surface.

### Cleaning the Interior

Wipe around the door opening and seal with a soft, damp cloth to prevent lint and dust buildup that could damage the door seal. Clean the window with a soft cloth dampened with warm water and a mild, nonabrasive household detergent; then wipe dry.

The stainless steel drum can be cleaned with a conventional stainless steel cleaner, used according to the manufacturer's specifications. Never use steel wool or abrasive cleansers; they can scratch or damage the surface.

### Cleaning Around and Under the Dryer

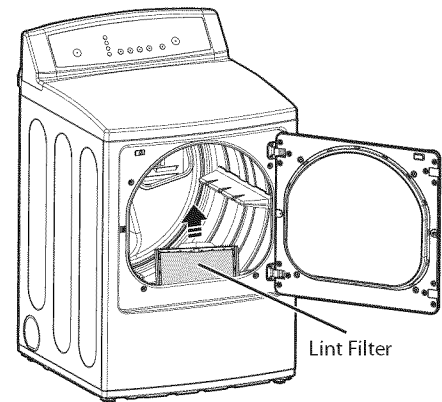
Vacuum lint and dust from around the dryer and underneath it regularly. Vent ductwork should be checked for lint buildup and cleaned at least once per year. If any noticeable reduction in airflow or drying performance occurs, immediately check ductwork for obstructions and blockages.

### Maintaining Ductwork

Vent ductwork should be checked for lint buildup and cleaned at least once per year. If any noticeable reduction in airflow or drying performance occurs, immediately check ductwork for obstructions and blockages. Contact a qualified technician or service provider.

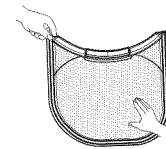
### Cleaning the Lint Filter

Always clean the lint filter after every cycle.

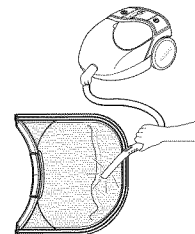


To clean, open the dryer door and pull the lint filter straight up. Then:

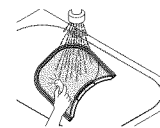
1. Roll any lint off the filter with your fingers, or



2. Vacuum the lint filter, or



3. If the lint filter has become very dirty or clogged with fabric softener, wash the lint filter in warm, soapy water and allow to dry thoroughly before reinstalling.



### ⓘ NOTE

NEVER operate the dryer without the lint filter in place. NEVER operate the dryer with a wet lint filter.

# TROUBLESHOOTING

## Before calling for service

Your dryer is equipped with an automatic error-monitoring system to detect and diagnose problems at an early stage. If your dryer does not function properly or does not function at all, check the following before you call for service.

Problem	Possible Causes	Solutions
Dryer will not turn on	<ul style="list-style-type: none"> <li>Power cord is not properly plugged in.</li> <li>House fuse is blown, circuit breaker has tripped, or power outage has occurred.</li> </ul>	<ul style="list-style-type: none"> <li>Make sure that the plug is plugged securely into a grounded outlet matching the dryer's rating plate.</li> <li>Reset circuit breaker or replace fuse. Do not increase fuse capacity. If the problem is a circuit overload, have it corrected by a qualified electrician.</li> </ul>
Dryer does not heat	<ul style="list-style-type: none"> <li>House fuse is blown, circuit breaker has tripped, or power outage has occurred.</li> <li>Gas supply or service turned off (gas models only).</li> </ul>	<ul style="list-style-type: none"> <li>Reset circuit breaker or replace fuse. Do not increase fuse capacity. If the problem is a circuit overload, have it corrected by a qualified electrician.</li> <li>Confirm that the house gas shutoff and the dryer gas shutoff are both fully open.</li> </ul>
Greasy or dirty spots on clothes	<ul style="list-style-type: none"> <li>Fabric softener used incorrectly.</li> <li>Clean and dirty clothes being dried together.</li> </ul>	<ul style="list-style-type: none"> <li>Confirm and follow the instructions provided with your fabric softener.</li> <li>Make sure to use your dryer to dry only clean items, because dirty items can soil clean clothes placed in the same or subsequent loads.</li> <li>Stains on dried clothes are actually stains that were not removed during the washing process. Make sure that clothes are being completely cleaned according to the instructions for your washer and detergent.</li> </ul>
Display shows error code tE	<ul style="list-style-type: none"> <li>Thermistor is malfunctioning.</li> </ul>	<ul style="list-style-type: none"> <li>Turn off the dryer and call for service.</li> </ul>
Lint on clothes	<ul style="list-style-type: none"> <li>Lint filter not cleaned properly.</li> <li>Laundry not sorted properly.</li> <li>Excess static in clothes.</li> <li>Dryer is overloaded.</li> <li>Tissue, paper, etc., left in pockets.</li> </ul>	<ul style="list-style-type: none"> <li>Make sure the lint filter is cleaned before every load. With some loads that produce high amounts of lint, it may be necessary to clean the filter during the cycle.</li> <li>Some fabrics are lint producers (i.e., a fuzzy white cotton towel) and should be dried separately from clothes that are lint trappers (i.e., a pair of black linen pants).</li> <li>See the Excess static in clothes after drying section below.</li> <li>Divide larger loads into smaller loads for drying.</li> <li>Check pockets thoroughly before washing and drying clothes.</li> </ul>
Excess static in clothes after drying	<ul style="list-style-type: none"> <li>Fabric softener not used or used incorrectly.</li> <li>Clothes dried too long (overdried).</li> <li>Drying synthetics, permanent press, or synthetic blends.</li> </ul>	<ul style="list-style-type: none"> <li>Use a fabric softener to reduce static electricity correctly. Do not use fabric softeners or products to eliminate static unless recommended by the manufacturer of the fabric softener or product.</li> <li>Overdrying a load of laundry can cause a buildup of static electricity. Adjust settings and use a shorter drying time, or use SENSOR DRY cycles.</li> <li>These materials can cause static buildup. Try using a fabric softener.</li> </ul>
Display shows error code PS	<ul style="list-style-type: none"> <li>Power cord connection is incorrect.</li> </ul>	<ul style="list-style-type: none"> <li>Check the connection of power cord to the terminal block. Refer to 20-24 pages on this manual.</li> </ul>
Drying time is not consistent	<ul style="list-style-type: none"> <li>Heat settings, load size, or dampness of clothing is not consistent.</li> </ul>	<ul style="list-style-type: none"> <li>The drying time for a load will vary depending on the heat setting, the type of heat used (electric, natural gas, or LP gas), the size of the load, the type of fabrics, the wetness of the clothes, and the condition of the exhaust ducts and lint filter.</li> </ul>
Clothes take too long to dry	<ul style="list-style-type: none"> <li>Load is not properly sorted.</li> <li>Large load of heavy fabrics.</li> <li>Dryer controls are not set properly.</li> <li>Lint filter needs to be cleaned.</li> <li>Exhaust ducts blocked, dirty, or duct run is too long.</li> <li>House fuse is blown, circuit breaker has tripped, or power outage has occurred.</li> <li>Dryer is overloaded.</li> <li>Dryer is underloaded.</li> </ul>	<ul style="list-style-type: none"> <li>Separate heavy items from lightweight items. Larger and heavier items take longer to dry.</li> <li>Heavy fabrics take longer to dry because they tend to retain more moisture. To help reduce and maintain more consistent drying times for large and heavy fabrics, separate these items into smaller loads of a consistent size.</li> <li>Use the appropriate control settings for the type of load you are drying.</li> <li>Make sure the lint filter is cleaned before every load. With some loads that produce high amounts of lint, it may be necessary to clean the filter during the cycle.</li> <li>Confirm that the exhaust ductwork is properly configured and free of debris, lint, and obstructions. Make sure that outside wall dampers can open properly and are not blocked, jammed, or damaged.</li> <li>Reset circuit breaker or replace fuse. Do not increase fuse capacity. If the problem is a circuit overload, have it corrected by a qualified electrician.</li> <li>Divide larger loads into smaller loads for drying.</li> <li>If you are drying a very small load, add a few extra items to ensure proper tumbling action.</li> </ul>
Clothes are wrinkled	<ul style="list-style-type: none"> <li>Clothes dried too long (overdried).</li> <li>Clothes left in dryer too long after cycle ends.</li> </ul>	<ul style="list-style-type: none"> <li>Overdrying a load of laundry can lead to wrinkled clothes. Try a shorter drying time, and remove items while they still retain a slight amount of moisture.</li> <li>Remove items from the dryer immediately at the end of the cycle. Use the WRINKLE CARE option to continue tumbling clothes at the end of the cycle, for up to 3 hours.</li> </ul>
Clothes are shrinking	<ul style="list-style-type: none"> <li>Garment care instructions are not being followed.</li> </ul>	<ul style="list-style-type: none"> <li>To avoid shrinkage, please carefully follow the fabric care instructions for your garment, because some fabrics will naturally shrink when washed. Other fabrics can be washed but will shrink when dried in a dryer. Use a low or no heat setting.</li> </ul>

## Before calling for service (cont.)

Problem	Possible Causes	Solutions
CHECK FILTER light is on during the drying cycle	• Lint filter is almost clogged or full.	• Pause the drying cycle and clean the lint filter.
FLOW SENSE Light is on during the drying cycle	<ul style="list-style-type: none"> <li>• Ductwork is too long or has too many turns/restrictions.</li> <li>• Significant blockage of the ductwork due to lint buildup or debris.</li> <li>• The appliance has detected a restriction in the external dryer venting.</li> </ul>	<ul style="list-style-type: none"> <li>• Install a shorter or straighter duct run. See the Installation Instructions.</li> <li>• Ductwork should be checked/cleaned soon. Dryer can be used in this condition, but drying times may be longer.</li> <li>• If exhaust restrictions are sensed by the FLOW SENSE™ system, the indicator will remain on for two hours after the end of the cycle. Opening the door or pressing the POWER button will turn off the display.</li> </ul>

## SPECIFICATIONS


Dryer models	DLE4801W DLG4802W
Description	Dryer
Electrical Requirements*	Please refer to the rating label regarding detailed information.
Gas Requirements*	NG 4-10.5 inches WC LP: 8-13 inches WC (Gas Models only)
Dimensions	26.4"(W) X 29.2"(D) X 43.7"(H), 51"(D with door open) 67.1cm(W) X 74.3cm(D) X 111.0cm(H), 129.5(D with door open)
Net Weight	124.9 lbs (56.6 kg)
Drying Capacity - Normal Cycle	IEC 7.1 cu.ft. (22.5 lb/10.2 kg)

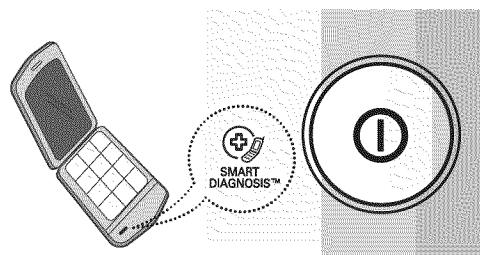
## USING SMARTDIAGNOSIS™

### NOTE

- Only use this feature when instructed to do so by the call center. The transmission sounds similar to a fax machine, and so has no meaning except to the call center.
- SMARTDIAGNOSIS™ cannot be activated if the dryer does not power up. If this happens, then troubleshooting must be done without SMARTDIAGNOSIS™.

If you experience problems with your dryer, call 1-800-243-0000 (1-888-542-2623 in Canada). Follow the call center agent's instructions, and do the following steps when requested:

1. Press  to turn on the dryer. Do not press any other buttons.
2. When instructed to do so by the call center agent place the mouthpiece of your phone very close to the POWER button.



3. Press and hold Temp.button for three seconds, while holding the phone mouthpiece to the icon or POWER button.
4. Keep the phone in place until the tone transmission has finished. This takes about 17 seconds, and the display will count down the time.
  - For best results, do not move the phone while the tones are being transmitted and do not touch the control panel with the phone.
  - If the call center agent is not able to get an accurate recording of the data, you may be asked to try again.
  - Pressing the POWER button during the transmission will shut off the SMARTDIAGNOSIS™.
5. Once the countdown is over and the tones have stopped, resume your conversation with the call center agent, who will then be able to assist you using the information transmitted for analysis at the call center.

## LG ELECTRONICS, INC. LG DRYER LIMITED WARRANTY - USA



Your LG Dryer will be repaired or replaced, at LG's option, if it proves to be defective in material or workmanship under normal use, during the warranty period ("Warranty Period") set forth below, effective from the date ("Date of Purchase") of original consumer purchase of the product. This warranty is good only to the original purchaser of the product and effective only when used in the United States, including Alaska, Hawaii, and U.S. Territories.

### **WARRANTY PERIOD:**

**LABOR: One Year** from the Date of Purchase.

**PARTS: One Year** from the Date of Purchase.

Replacement Units and Repair Parts may be new or remanufactured.

Replacement Units and Repair Parts are warranted for the remaining portion of the original unit's warranty period.

### **HOW SERVICE IS HANDLED:**

#### **In-Home Service:**

Please retain dealer's dated bill of sale or delivery ticket as evidence of the Date of Purchase for proof of warranty, and submit a copy of the bill of sale to the service person at the time warranty service is provided.

**Please call 1-800-243-0000 and choose the appropriate option to locate your nearest LG Authorized Service Center.**

Or visit our Web site at: <http://www.lgservice.com>.

**THIS WARRANTY IS IN LIEU OF ANY OTHER WARRANTY, EXPRESS OR IMPLIED, INCLUDING WITHOUT LIMITATION, ANY WARRANTY OF MERCHANTABILITY OR FITNESS FOR A PARTICULAR PURPOSE. TO THE EXTENT ANY IMPLIED WARRANTY IS REQUIRED BY LAW, IT IS LIMITED IN DURATION TO THE EXPRESS WARRANTY PERIOD ABOVE.**

**NEITHER THE MANUFACTURER NOR ITS U.S. DISTRIBUTOR SHALL BE LIABLE FOR ANY INCIDENTAL, CONSEQUENTIAL, INDIRECT, SPECIAL, OR PUNITIVE DAMAGES OF ANY NATURE, INCLUDING WITHOUT LIMITATION, LOST REVENUES OR PROFITS, OR ANY OTHER DAMAGE WHETHER BASED IN CONTRACT, TORT, OR OTHERWISE.** Some states do not allow the exclusion or limitation of incidental or consequential damages or limitations on how long an implied warranty lasts, so the above exclusion or limitation may not apply to you. This warranty gives you specific legal rights and you may also have other rights that vary from state to state.

### **THIS LIMITED WARRANTY DOES NOT APPLY TO:**

- Service trips to your home to deliver, pick up, and/or install the product, instruct, or replace house fuses or correct wiring, or correction of unauthorized repairs.
- Damages or operating problems that result from misuse, abuse, operation outside environmental specifications or contrary to the requirements of precautions in the Operating Guide, accident, vermin, fire, flood, improper installation, acts of God, unauthorized modification or alteration, incorrect electrical current or voltage, or commercial use, or use for other than intended purpose.

The cost of repair or replacement under these excluded circumstances shall be borne by the consumer.

### **CUSTOMER INFORMATION CENTER NUMBERS**

**To obtain Customer Assistance, Product Information, or Dealer or Authorized Service Center location:**

**Call 1-800-243-0000** (24 hours a day, 365 days per year), and select the appropriate option from the menu.  
**Or visit our Web site at: <http://www.lgservice.com>.**

### **TO CONTACT LG ELECTRONICS BY MAIL:**

LG Customer Information Center  
P. O. Box 240007  
201 James Record Road  
Huntsville, Alabama 35824  
ATTN: CIC

### ***Product Registration Information***

**Model:**

**Serial Number:**

**Date of Purchase:**

The model and serial number can be located on the rating plate inside the front door.





# MANUAL DE PROPIETARIO SECADORA

Antes de comenzar la instalación, lea atentamente estas instrucciones. Esto simplificará la instalación y asegurará que la secadora está instalada en forma correcta y segura. Conserve estas instrucciones cerca de la secadora luego de la instalación para futuras consultas.

DLE4801W      DLG4802W

## CARACTERÍSTICAS ESPECIALES

### PANEL DE CONTROL FÁCIL PARA USAR

Una amplia selección de funciones sencillas de usar para facilitar la operación de la secadora.

### PUERTA REVERSIBLE DE FÁCIL ACCESO

La amplia puerta provee acceso para carga y descarga. Se puede invertir el sentido de la puerta para adaptarlo al lugar de la instalación.

### INDICADOR DEL SISTEMA DE SENSOR DE BLOQUEO DE CONDUCTO FLOW SENSE™

El sistema de sensor de bloqueo de conducto FLOW SENSE™ detecta y lo alerta sobre bloqueos en la tubería, lo cual reduce el flujo de escape de la secadora. La limpieza de los sistemas de escape aumenta la eficacia y reduce el tiempo de secado.

### SMARTDIAGNOSIS™

Si experimenta alguna dificultad técnica en su secadora, la misma cuenta con la capacidad de transmitir datos por teléfono al Centro de Atención al Cliente. El agente del centro de atención registra los datos transmitidos desde su máquina y los usa para analizar el problema, brindando un diagnóstico rápido y efectivo (consulte la página 35).



# INSTRUCCIONES IMPORTANTES DE SEGURIDAD

## LEA TODAS LA INSTRUCCIONES ANTES DE USAR

### ⚠ ADVERTENCIA

Por su seguridad, debe seguir la información indicada en este manual para minimizar el riesgo de incendio o explosión, descarga eléctrica, o para prevenir daños a la propiedad, lesiones personales o muerte.

#### **Su Seguridad y la de los demás son de suma importancia.**

En este manual y en su electrodoméstico figuran muchos mensajes importantes de seguridad. Lea y cumpla siempre con todos los mensajes de seguridad.

⚠ Téste es el símbolo de alerta de seguridad.

El mismo alerta sobre potenciales riesgos de muerte o heridas tanto para usted como para otras personas.

Todos los mensajes de seguridad estarán a continuación del símbolo de alerta de seguridad y con la palabra PELIGRO, ADVERTENCIA o PRECAUCIÓN.

Estas palabras significan:

#### ⚠ PELIGRO

Corre riesgo de muerte o de sufrir heridas serias si no sigue las instrucciones inmediatamente.

#### ⚠ ADVERTENCIA

Corre riesgo de muerte o de sufrir heridas serias si no sigue las instrucciones.

#### ⚠ PRECAUCIÓN

De no seguir las instrucciones podría sufrir daños leves o causar daños en el producto.

Todos los mensajes de seguridad le indicarán cuál es el riesgo potencial, le dirán cómo reducir las posibilidades de sufrir heridas y qué puede suceder si no se siguen las instrucciones.

- **No instale una secadora junto a materiales de ventilación plásticos flexibles. Si se instala un conducto flexible metálico (de tipo lámina de metal), éste deberá cumplir las especificaciones determinadas por el fabricante del electrodoméstico para su uso con secadoras. Se sabe que los materiales de ventilación flexibles se contraen, se agrietan con rapidez y atrapan pelusas. Estas condiciones obstruirán el flujo de aire de la secadora y aumentarán el riesgo de incendio.**
- **No almacene o use gasolina ni ningún otro tipo de vapores o líquidos inflamables cerca de este electrodoméstico ni de ningún otro electrodoméstico.**
- **Únicamente un técnico calificado de mantenimiento, agencia de mantenimiento o compañía de gas deberán realizar el mantenimiento y la instalación.**
- **Instale la secadora según las instrucciones del fabricante y las normativas locales.**
- **Guarde estas instrucciones.**

### **QUÉ HACER SI HUELE GAS:**

1. **No intente encender un cigarrillo o fósforo, ni encender ningún electrodoméstico a gas o eléctrico.**
2. **No toque ningún interruptor eléctrico. No use ningún teléfono en su edificio.**
3. **No permita que ninguna persona se encuentre en la habitación, edificio o área.**
4. **Llame a su compañía de gas inmediatamente desde el teléfono de un vecino. Siga las instrucciones de su compañía de gas al pie de la letra.**
5. **Si no puede comunicarse con su compañía de gas, llame al departamento de bomberos.**

# INSTRUCCIONES IMPORTANTES DE SEGURIDAD

## LEA TODAS LA INSTRUCCIONES ANTES DE USAR

### ▲ ADVERTENCIA

Por su seguridad, se debe seguir la información indicada en este manual para minimizar el riesgo de incendio o explosión, descarga eléctrica, o para prevenir daños a la propiedad, lesiones personales o muerte.

### PRECAUCIONES BÁSICAS DE SEGURIDAD

### ▲ ADVERTENCIA

Para minimizar el riesgo de incendio o explosión, descarga eléctrica, o para prevenir lesiones personales cuando use electrodomésticos, se deben seguir precauciones básicas de seguridad, incluyendo las siguientes:

- Lea todas las instrucciones antes de usar la secadora.
- Antes de usar, la secadora debe estar correctamente instalada como se describe en este manual.
- No coloque artículos que hayan sido expuestos a aceites, incluyendo aceites comestibles, en su secadora. Los artículos contaminados con aceites comestibles podrían contribuir a la generación de una reacción química que podría ocasionar que una carga se incendie.
- No seque artículos que hayan sido limpiados, lavados, remojados o salpicados previamente con gasolina, disolventes de limpieza en seco u otras sustancias inflamables o explosivas, ya que emanan vapores que podrían encenderse o explotar, incluso después del lavado.
- No introduzca las manos en la secadora cuando el tambor o las otras partes estén en movimiento.
- No repare o reemplace ninguna parte de la secadora ni intente reparar la misma a menos que esto se recomiende en forma específica en esta Guía de Uso y Cuidado o en instrucciones de reparación publicadas las cuales comprende y sabe aplicar.
- No altere los controles.
- Antes de poner la secadora fuera de servicio o de tirarla, quite la puerta para prevenir que los niños se metan dentro.
- No deje que los niños jueguen en la secadora ni dentro de ella. Cuando se usa la secadora cerca de los niños, se necesita una supervisión estricta.
- Use suavizadores de tela o productos para eliminar estática únicamente del modo recomendado por el fabricante.
- No use calor para secar artículos que contienen caucho espumoso, plásticos o materiales de textura similar al caucho.
- Evite la acumulación de pelusa, polvo o tierra alrededor del área de la apertura de ventilación y áreas adyacentes.
- La parte interior de la secadora y el conducto de ventilación se deberán limpiar periódicamente, y la misma deberá ser realizada por personal calificado del servicio.
- No instale ni coloque esta secadora en lugares donde pueda estar expuesta a variables climáticas.
- Antes de cargar la secadora, siempre revise que no haya objetos extraños en su interior.
- Retire la pelusa del filtro antes de cada carga.
- No deje plásticos, papel o telas que puedan quemarse o fundirse sobre la secadora en funcionamiento.

### LEY EJECUTIVA PARA LA SEGURIDAD DEL AGUA POTABLE POTABLE Y LOS TÓXICOS DE CALIFORNIA (CALIFORNIA SAFE DRINKING WATER AND TOXIC ENFORCEMENT ACT)

Esta ley requiere que el gobernador de California publique un listado de sustancias conocidas en el estado que causan cáncer, defectos congénitos u otras lesiones reproductivas, y obliga a los negocios a alertar a los clientes sobre la posible exposición a tales sustancias. Los electrodomésticos a gas pueden causar exposición leve a cuatro de estas sustancias, principalmente benceno, monóxido de carbono, formaldehído y hollín, generado principalmente por la combustión parcial del gas natural o los combustibles LP (petróleo líquido). Las secadoras calibradas adecuadamente minimizarán la combustión parcial. Para minimizar incluso más la exposición a estas sustancias, se puede dotar a la secadora de la ventilación adecuada al exterior.

# INSTRUCCIONES IMPORTANTES DE SEGURIDAD

## LEA TODAS LA INSTRUCCIONES ANTES DE USAR

### ⚠ ADVERTENCIA

Por su seguridad, se debe seguir la información indicada en este manual para minimizar el riesgo de incendio o explosión, descarga eléctrica, o para prevenir daños a la propiedad, lesiones personales o muerte.

#### INSTRUCCIONES DE CONEXIÓN A TIERRA

Este electrodoméstico deberá estar conectado a tierra. En caso de avería o mal funcionamiento, la conexión a tierra reducirá el riesgo de descargas eléctricas al brindar un camino con una resistencia menor para la corriente eléctrica. Este electrodoméstico debe estar equipado con un cable con un conductor para la conexión a tierra del equipo y un enchufe con conexión a tierra. El enchufe deberá estar conectado a una toma de corriente instalada en forma adecuada y con conexión a tierra de acuerdo con todos los códigos y ordenanzas locales.

### ⚠ ADVERTENCIA

**Una conexión inapropiada del conductor de conexión a tierra del equipo puede provocar riesgos de descargas eléctricas.**

Consulte a un electricista calificado o personal del servicio si tiene dudas de que el electrodoméstico se encuentre conectado a tierra apropiadamente.

No modifique el enchufe que se entrega con el electrodoméstico. Si no coincide con la toma de corriente, contrate a un electricista calificado para que instale una toma de corriente en forma adecuada.

Este electrodoméstico debe estar conectado a un sistema de cableado de metal permanente con conexión a tierra o se debe tender un conducto para la conexión a tierra del equipo con los conductores del circuito y conectado al terminal de tierra del equipo o al conductor de suministro del electrodoméstico.

Si la secadora no se encuentra adecuadamente conectada a tierra se pueden producir descargas eléctricas.

#### INSTRUCCIONES IMPORTANTES PARA LA INSTALACIÓN

### ⚠ ADVERTENCIA

Para reducir el riesgo de incendio, descargas eléctricas o heridas al usar su electrodoméstico, siga las precauciones básicas, incluyendo lo siguiente:

- **Conecte la secadora adecuadamente a tierra según todos los códigos y las regulaciones vigentes.** Siga los detalles en las instrucciones de instalación. Si la secadora no se encuentra adecuadamente conectada a tierra se pueden producir descargas eléctricas.
- **Antes de usar, la secadora debe estar correctamente instalada como se describe en este manual.** Si la secadora no se encuentra adecuadamente conectada a tierra se pueden producir descargas eléctricas.
- **Instale y almacene la secadora en un lugar no expuesto a temperaturas inferiores al punto de congelación ni expuesto a la intemperie.**
- **Todas las reparaciones y controles deberán ser realizados por un centro de servicio autorizado a menos que se den otras recomendaciones específicas en el Manual del Usuario. Utilice sólo piezas de fábrica autorizadas.** Si no se cumple con esta advertencia se podrán producir heridas graves, incendios, descargas eléctricas o muerte.
- **Con el fin de reducir el riesgo de descargas eléctricas no instale la secadora en espacios húmedos.** Si no se cumple con esta advertencia se podrán producir heridas graves, incendios, descargas eléctricas o muerte.
- **Conecte un circuito eléctrico clasificado, protegido y adecuado para evitar sobrecarga eléctrica.** Un circuito eléctrico inadecuado se puede fundir, creando descargas eléctricas y/o riesgo de incendio.
- **Mantenga todos los envoltorios alejados de los niños.** Los materiales de los envoltorios pueden resultar peligrosos para los niños. Existe riesgo de asfixia.
- **Quite todos los elementos de embalaje y deseché adecuadamente todos los materiales de envío.** Si no se cumple con esto se podrá producir una explosión, incendio, quemaduras o muerte.
- **Coloque la secadora a un altura mínima de 18 pulgadas encima del piso para una instalación en el garaje.** Si no se cumple con esto se podrá producir una explosión, incendio, quemaduras o muerte.
- **No lo instale cerca de un elemento que genera calor, Como una estufa, horno o calentador.** Si no lo hace puede ocasionar daños en el equipo, humos o un incendio.
- **No coloque velas o cigarrillos sobre el producto.** Si no lo hace puede ocasionar daños en el equipo, humos o un incendio.
- **Quite la película de vinilo protectora del producto.** Si no lo hace puede ocasionar daños en el equipo, humos o un incendio.

# INSTRUCCIONES IMPORTANTES DE SEGURIDAD

## LEA TODAS LA INSTRUCCIONES ANTES DE USAR

### ⚠ ADVERTENCIA

Por su seguridad, se debe seguir la información indicada en este manual para minimizar el riesgo de incendio o explosión, descarga eléctrica, o para prevenir daños a la propiedad, lesiones personales o muerte.

### INSTRUCCIONES IMPORTANTES PARA LA INSTALACIÓN

### ⚠ ADVERTENCIA

Para reducir el riesgo de lesiones personales, cumpla con todos los procedimientos de seguridad recomendados por la industria, incluyendo el uso de guantes con mangas largas y gafas de seguridad. En caso de no cumplir con todas las advertencias de seguridad de este manual se podrán producir daños sobre la propiedad, lesiones personales o la muerte.

Conducto de escape/Tubería:

- **Las secadoras a gas DEBEN tener un conducto de ventilación al exterior.** Si no se siguen estas instrucciones se podrá producir incendio o muerte.
- **Para prevenir el ingreso de grandes cantidades de humedad y pelusa a la habitación, se recomienda enfáticamente dotar las secadoras eléctricas de un conducto de ventilación al exterior.** La acumulación de pelusa en cualquier parte de la casa puede crear riesgos de salud e incendio.
- **Use únicamente sistemas de ventilación de metal rígido o flexible de 4 pulgadas de diámetro dentro del gabinete de la secadora o para ventilación al exterior. Los sistemas de ventilación de plástico u otro material pueden causar incendios.** Los sistemas de ventilación agujereados pueden causar incendios si se colapsan o bloquean durante el uso o la instalación.
- **No se provee el sistema de ventilación con la secadora; el mismo deberá obtenerse localmente. La tapa terminal deberá tener reguladores de tiro con bisagras para prevenir el retorno de descarga cuando no se usa la secadora.** Si no se siguen estas instrucciones se podrá producir incendio o muerte.
- **El conducto de escape deberá tener 10,2 cm (4 pulg.) de diámetro sin obstrucciones. El conducto de escape deberá mantenerse lo más corto posible. Asegúrese de limpiar cualquier tipo de conducto antiguo antes de instalar su secadora nueva.** Si no se siguen estas instrucciones se podrá producir incendio o muerte.
- **Se recomiendan conductos rígidos o semirígidos para usar entre la secadora y la pared. En instalaciones particulares cuando es imposible realizar una conexión siguiendo las recomendaciones antes indicadas, únicamente se puede utilizar un conducto metálico de transición aprobado por UL entre la secadora y la conexión de pared. Usar este tipo de conducto afectará el tiempo de secado.** Si no se siguen estas instrucciones se podrá producir incendio o muerte.
- **NO utilice tornillos de lámina de metal ni otro tipo de aseguradores que se extiendan dentro del conducto y puedan atrapar pelusa y reducir la eficiencia del sistema de escape.** Asegure todas las uniones con cinta adhesiva impermeable. Para más detalles, siga las Instrucciones de Instalación. Si no se siguen estas instrucciones se podrá producir incendio o muerte.

# INSTRUCCIONES IMPORTANTES DE SEGURIDAD

## LEA TODAS LA INSTRUCCIONES ANTES DE USAR

### ⚠ ADVERTENCIA

Por su seguridad, se debe seguir la información indicada en este manual para minimizar el riesgo de incendio o explosión, descarga eléctrica, o para prevenir daños a la propiedad, lesiones personales o muerte.

### INSTRUCCIONES IMPORTANTES IMPORTANTES PARA CONECTAR LA ELECTRICIDAD

### ⚠ ADVERTENCIA

Para reducir el riesgo de incendio, descargas eléctricas o heridas al usar su electrodoméstico, siga las precauciones básicas, incluyendo lo siguiente:

- **Bajo ninguna circunstancia, corte o quite la tercera pata (puesta a tierra) del cable eléctrico.** Para evitar heridas a nivel personal o daños sobre la secadora, el cable de corriente eléctrica debe estar conectado en una conexión a tierra en condiciones adecuadas.
- **Por motivos de seguridad personal, este electrodoméstico debe estar conectado a tierra adecuadamente.** Si esto no se cumple se podrán producir descargas eléctricas o heridas.
- **Consulte las instrucciones de instalación de este manual para obtener los requisitos eléctricos específicos de su modelo.** Si estas instrucciones no se cumplen se podrán producir descargas eléctricas y/o riesgo de incendio.
- **Esta secadora debe estar enchufada a un tomacorriente conectado a tierra adecuadamente. Si la secadora no se encuentra adecuadamente conectada a tierra se pueden producir descargas eléctricas. Contrate a un electricista calificado para que controle el tomacorriente y el circuito eléctrico para asegurarse que el enchufe está correctamente conectado a tierra.** Si estas instrucciones no se cumplen se podrán producir descargas eléctricas y/o riesgo de incendio.
- **La secadora siempre debe estar enchufada a su tomacorriente individual, con la clasificación de tensión correspondiente a la placa de datos de servicio.** Esto proporciona el mejor desempeño y previene a la vez sobrecarga de los circuitos de cableado del hogar, lo que podría producir un incendio debido a los cables sobrecalentados.
- **Nunca desenchufe su secadora empujando el cable de corriente. Siempre tome su enchufe firmemente y empuje el mismo hacia fuera para retirarlo.** El cable de corriente se puede cortar debido a cualquier movimiento de su parte central, resultando en una descarga eléctrica.
- **Repare o reemplace de inmediato todos los cables de corriente pelados o con cualquier tipo de daño. No use un cable con cortaduras o abrasión sobre su extensión o extremos.** Este cable de corriente se puede fundir, creando descargas eléctricas y/o riesgo de incendio.
- **Al instalar o cambiar de lugar la secadora, evite todo tipo de cortes u otros daños en el cable de corriente.** Esto evitará heridas o daños debido a incendios o descargas eléctricas sobre la secadora.

**GUARDE ESTAS INSTRUCCIONES**

# TABLA DE CONTENIDOS

## 2 CARACTERÍSTICAS ESPECIALES

---

## 3 INSTRUCCIONES IMPORTANTES DE SEGURIDAD

---

- 3 QUÉ HACER SI HUELE GAS
- 4 PRECAUCIONES BÁSICAS DE SEGURIDAD
- 4 LEY EJECUTIVA PARA LA SEGURIDAD DEL AGUA POTABLE Y LOS TÓXICOS DE CALIFORNIA (CALIFORNIA SAFE DRINKING WATER AND TOXIC ENFORCEMENT ACT)
- 5 INSTRUCCIONES DE CONEXIÓN A TIERRA
- 5 INSTRUCCIONES IMPORTANTES PARA LA INSTALACIÓN
- 7 INSTRUCCIONES IMPORTANTES PARA CONECTAR LA ELECTRICIDAD

## 9 PIEZAS Y CARACTERÍSTICAS

---

- 9 Componentes
- 10 Características del panel de control

## 11 INSTRUCCIONES PARA LA INSTALACIÓN

---

- 11 Vista previa del orden de instalación
- 12 Requisitos Del Lugar De Instalación
- 12 Espacios de instalación
- 13 Nivelación de la secadora
- 14 Inversión de la puerta
- 15 Cómo cambiar la ubicación del conducto de ventilación de la secadora
- 16 Conexión del conducto de ventilación de la secadora
- 18 Conexión de secadoras a gas
- 20 Cómo conectar las secadoras eléctricas
- 25 Requisitos especiales para viviendas móviles o prefabricadas
- 25 Revisión de instalación final
- 26 Test de Instalación  
(Comprobación del sistema de evacuación)

## 28 CÓMO USAR

---

- 28 Funcionamiento de la secadora
- 29 Guía de ciclos
- 30 Clasificación de cargas
- 30 Cómo cargar la secadora
- 30 Revise el filtro de pelusa antes de cada uso

- 31 Botones de ajuste de ciclos
- 31 Funciones especiales
- 31 Programa personalizado

## 32 MANTENIMIENTO

---

- 32 Limpieza regular

## 33 RESOLUCIÓN DE PROBLEMAS

---

- 33 Antes de llamar a mantenimiento

## 35 ESPECIFICACIONES

---

## 35 UTILIZACIÓN DEL SMARTDIAGNOSIS™

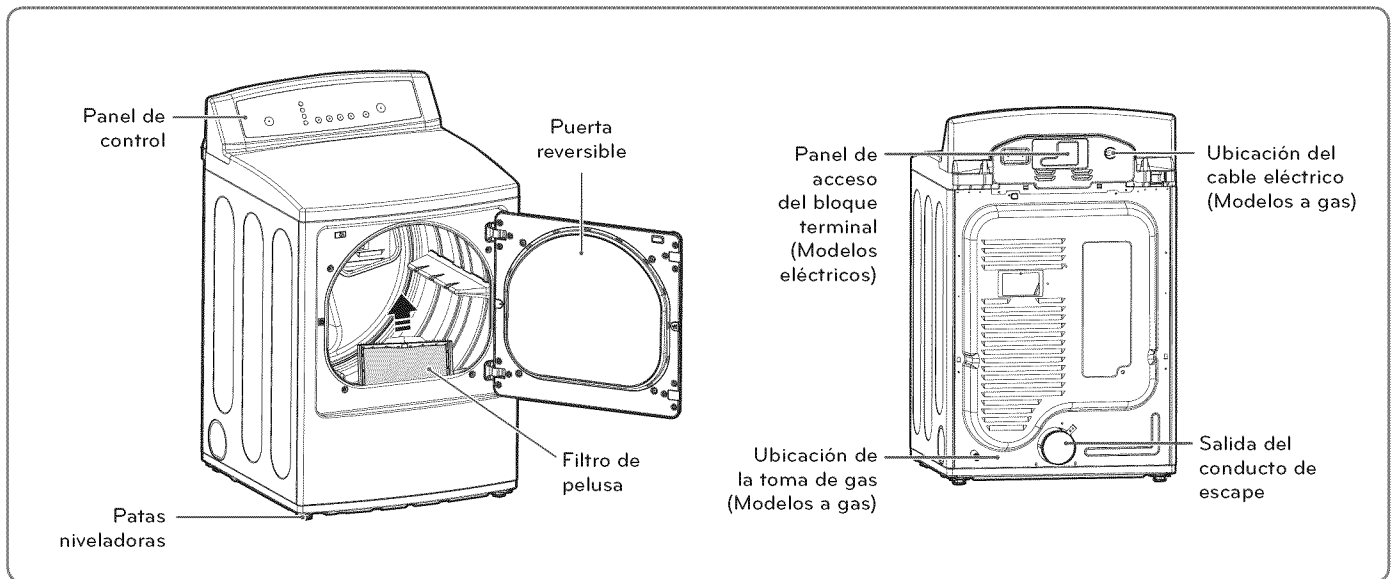
---

## 36 GARANTÍA

---

# PIEZAS Y CARACTERÍSTICAS

## Componentes



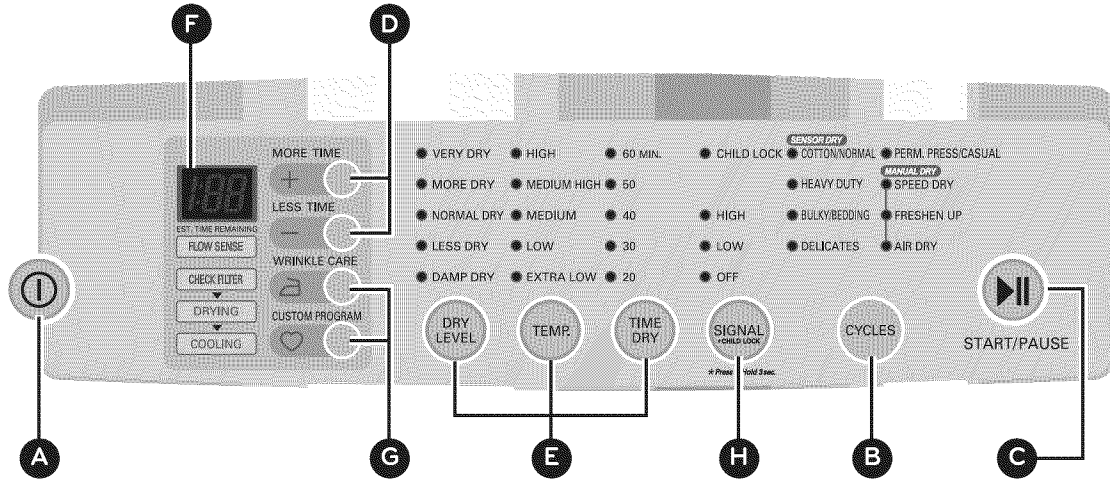
### NOTA

- Póngase en contacto con el Departamento de atención al cliente de LG, en el número 1-800-243-0000 (1-888-542-2623 en Canadá) si falta alguno de los accesorios.
- Para su seguridad, y con el fin de ampliar la vida útil de su lavadora, utilice sólo componentes autorizados. El fabricante no se hace responsable de los fallos del producto o accidentes causados por la utilización de piezas o componentes no autorizados.
- Las imágenes de esta guía pueden no coincidir con los componentes y accesorios reales, y están sujetas a cambios sin previo aviso para mejoras en el producto.

## Características del panel de control

A continuación encontrará instrucciones para comenzar a usar su secadora nueva. Para más información por favor consulte las secciones específicas de este manual.

**⚠ ADVERTENCIA:** Para reducir el riesgo de incendios, descargas eléctricas o heridas, lea este manual en su totalidad, incluyendo las Instrucciones Importantes de Seguridad, antes de operar la secadora.



### A BOTÓN DE ENCENDIDO/APAGADO (ON/OFF)

Apriete el botón para encender la secadora. Apriete nuevamente para apagar la secadora.

#### ! NOTA

Apretar el botón de ENCENDIDO/APAGADO (ON/OFF) durante un ciclo cancelará ese ciclo y borrará cualquier ajuste de carga.

### B CICLOS BOTÓN

Pulse este botón para seleccionar el ciclo deseado. Una vez que se haya seleccionado el ciclo deseado, los preajustes estándar se mostrarán en la pantalla. En los ciclos de SECADO MANUAL (MANUAL DRY) se pueden programar estos ajustes usando los botones de ajuste de ciclos en cualquier momento antes de iniciar el ciclo.

### C BOTÓN DE INICIO/PAUSA (START/PAUSE)

Apriete este botón para iniciar el ciclo seleccionado. Si la secadora está funcionando, utilice este botón para hacer una PAUSA en el ciclo, sin perder los ajustes actuales.

#### ! NOTA

Si no aprieta el botón INICIO/PAUSA (START/PAUSE) para detener un ciclo en 4 minutos, la secadora se apagará automáticamente.

### D BOTONES DE MÁS TIEMPO/MENOS TIEMPO (MORE TIME/LESS TIME)

Use estos botones con los ciclos de secado manual (MANUAL DRY), de SECADO TEMPORIZADO (TIME DRY). Apriete el botón MÁS TIEMPO (MORE TIME) para aumentar el tiempo del ciclo manual seleccionado en intervalos de un minuto; apriete MENOS TIEMPO (LESS TIME) para disminuir el tiempo del ciclo en intervalos de un minuto.

### E BOTONES DE AJUSTE DE CICLOS

Utilice estos botones para seleccionar los ajustes de ciclo deseados para el ciclo seleccionado. Los ajustes actuales se muestran en la pantalla. Apriete el botón para ver esa opción y seleccionar otros ajustes.

### F PANTALLA DE TIEMPO Y ESTADO

La pantalla muestra las configuraciones, tiempo restante estimado, opciones, y mensajes de estado de su secadora.

### G BOTONES DE OPCIONES

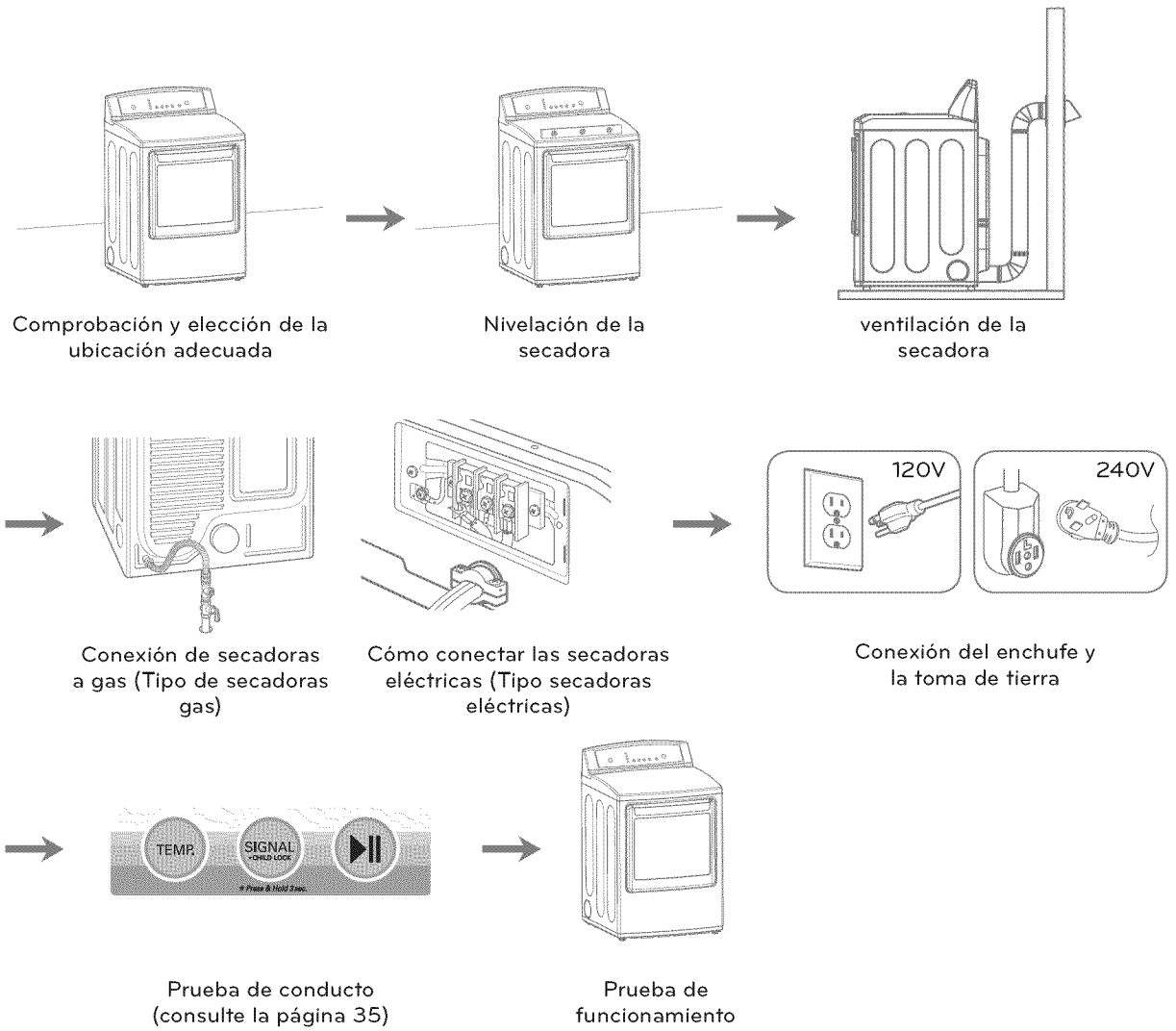
Los botones de opciones le permiten seleccionar opciones de ciclo adicionales. No todos los ajustes pueden usarse en todos los programas. Consulte la sección GUÍA DE CICLOS de este manual.

### H BOTÓN SIGNAL

Pulse el botón SIGNAL repetidamente para ajustar el volumen de las señales. Este botón también se puede utilizar para activar y desactivar el BLOQUEO INFANTIL manteniendo el botón pulsado tres segundos.

# INSTRUCCIONES PARA LA INSTALACIÓN

## Vista previa del orden de instalación



## Requisitos del lugar de instalación

### ⚠ ADVERTENCIA

**Siga las instrucciones de funcionamiento y cuidado incluidas en este manual y conseguirá que su secadora ofrezca un servicio fiable y duradero.** Es importante que revise todo este manual antes de instalar y usar su secadora. Se proporcionan instrucciones detalladas pertinentes a las conexiones eléctricas, de gas y los requisitos de escape en las siguientes páginas.

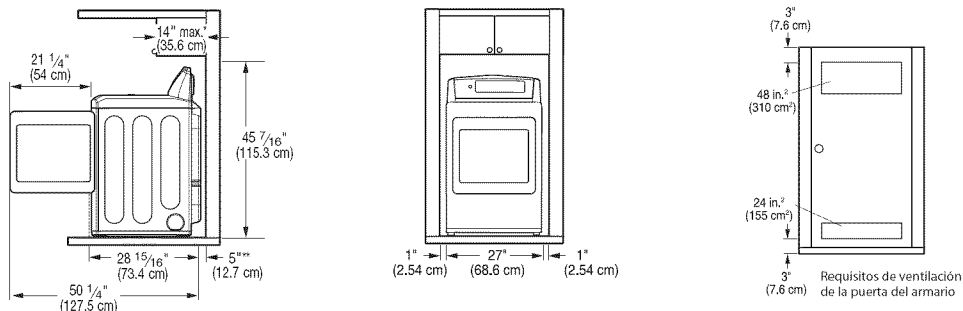
- Un lugar que permita la instalación correcta del sistema de escape. El secador de gas debe tener una salida de escape hacia el exterior. Consulte **Requisitos de ventilación**.
- La salida eléctrica de toma a tierra debe estar a 61 cm (2 pies) de ambos lados de la secadora. Consulte **Requisitos eléctricos**.
- El suelo debe ser firme para soportar el peso total de la secadora, siendo éste de 90,7 kg (200 lbs). Igualmente, se tendrá en cuenta el peso combinado de un posible electrodoméstico acoplado.
- No se puede instalar ningún aparato de combustión en el mismo compartimento que la secadora.

No utilice la secadora a temperaturas inferiores a 7°C (45°F). A temperaturas bajas, la secadora puede no apagarse al final de un ciclo automático. Esto puede conllevar a tiempos de secado más largos. La secadora no se debe instalar ni almacenar en una zona donde pueda estar expuesta al agua o a inclemencias meteorológicas. Compruebe los requisitos del código. Algunos códigos limitan, o no permiten, la instalación de la secadora en garajes, muebles cerrados, caravanas o dormitorios. Contacte con la persona encargada de la inspección de su edificio.

### 📌 NOTA

- El suelo de apoyo de la secadora debe estar nivelado y no tener una inclinación superior a 2,5 cm (1 pulg.). Si la inclinación es superior a 2,5 cm (1 pulg.), coloque un conjunto de patas de extensión de la secadora. Si la secadora no está nivelada, las prendas no se centrifugarán correctamente y los ciclos de sensor automático puede que no funcionen como corresponde.
- Para la instalación en un garaje, necesita colocar la secadora a 46 cm (18 pulg.) como mínimo del suelo. Si utiliza un pedestal, debe dejar una separación de 46 cm (18 pulg.) respecto a la parte inferior de la secadora.

## Espacios de instalación



### SEPARACIÓN AL REALIZAR LA INSTALACIÓN EN ÁREAS CERRADAS O EMPOTRADAS

Para esta secadora, se recomienda dejar las siguientes separaciones. Esta secadora se ha evaluado dejando una separación de 0 cm (0 pulg.) a ambos lados y en la parte posterior. Se recomienda dejar el espacio recomendado, por las razones siguientes:

- Se debe dejar un espacio adicional para facilitar las tareas de instalación y mantenimiento.
- Las separaciones adicionales pueden ser necesarias para las molduras del techo, el suelo o la pared.
- Igualmente se deben considerar las separaciones a ambos lados de la secadora para reducir la transmisión de ruido. Al realizar la instalación en un armario o habitáculo cerrado, debe haber salidas de ventilación mínimas en la parte superior e inferior del lugar. También se permiten las puertas apersianadas con salidas de ventilación equivalentes.
- Además debe tenerse en cuenta el espacio requerido por cualquier otro aparato que se acompañe.

### 📌 NOTA

Al menos se debe dejar un espacio alrededor de la secadora (o de cualquier otro equipo) para eliminar la transferencia de vibración de uno a otro. Si la vibración es importante, podría desencadenar ruidos o fricción entre ambos, con el consecuente deterioro de la pintura e incluso, más ruido.

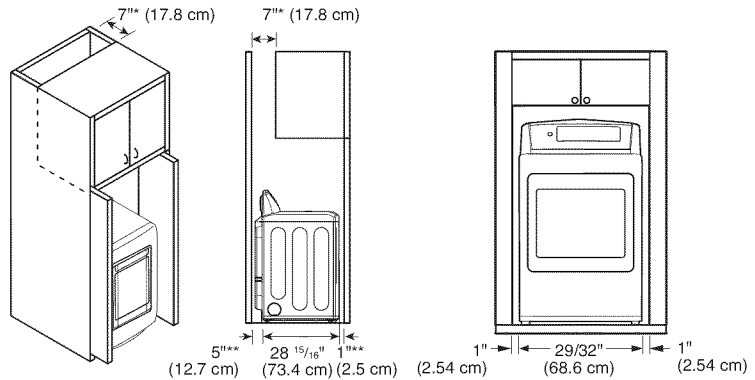
## Espacios de instalación (Cont.)

### SEPARACIÓN RECOMENDADA PARA LA INSTALACIÓN EN UN HABITÁCULO CERRADO

• Al realizar la instalación en un habitáculo cerrado debe haber salidas de ventilación mínimas en la parte superior e inferior del lugar.

\*Espacio requerido

\*\* Para la ventilación lateral e inferior, se permite una separación de 5,1 cm (2 pulg.)



## Nivelación de la secadora

### ⚠ ADVERTENCIA

• **Para reducir el riesgo de lesiones personales, cumpla con todos los procedimientos de seguridad recomendados por la industria, incluyendo el uso de guantes con mangas largas y gafas de seguridad.** Si no se cumple con esta advertencia se podrán producir heridas graves o muerte.

• **Los aparatos son pesados. Se necesitan dos o más personas para la instalación de la secadora.** Si no se cumple con esta advertencia se podrán producir heridas graves o muerte.

Para asegurar que la secadora brinde un desempeño óptimo de secado, debe estar nivelada. Para minimizar la vibración, el ruido y movimiento no deseados, el piso deberá ser una superficie perfectamente nivelada y sólida.

### 📌 NOTA

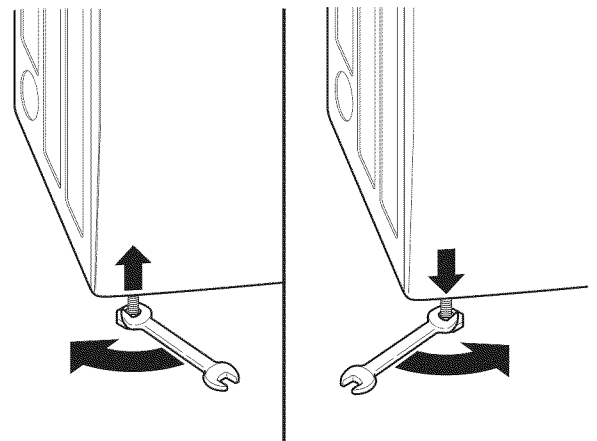
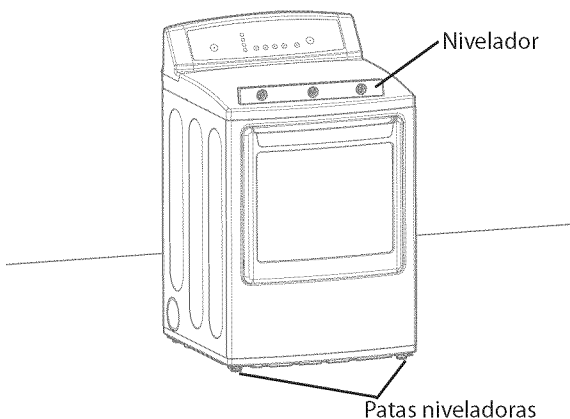
Fije las patas niveladoras sólo en la medida necesaria para nivelar la secadora. La extensión de las patas niveladoras más de lo necesario puede causar vibración de la secadora.

• Las 4 patas niveladoras deberán apoyarse firmemente en el piso. Empuje suavemente las esquinas superiores de la secadora para asegurarse de que su secadora no se mece de esquina a esquina.

Si está instalando la secadora sobre el accesorio de pedestal opcional, deberá usar las patas niveladoras del pedestal para nivelarla. Las patas niveladoras de la secadora deberán estar completamente retraídas.

2. Use una llave de tuercas ajustable para girar las patas niveladoras. Gire en la dirección de las manecillas del reloj para levantar la secadora o en dirección contraria para bajarla. Suba o baje las patas niveladoras hasta que la secadora esté nivelada de lado a lado y de adelante hacia atrás. Asegúrese de que las 4 patas niveladoras se encuentran haciendo contacto firme con el piso.

1. Position the dryer in the final location. Place a level across the top of the dryer.



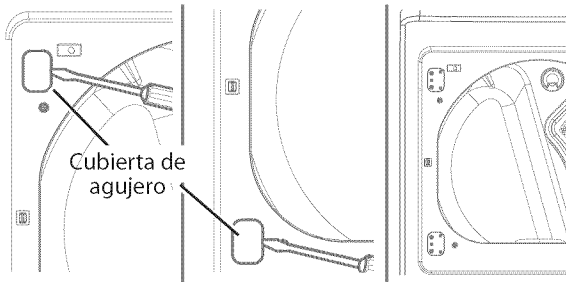
## Inversión de la puerta

### ▲ ADVERTENCIA

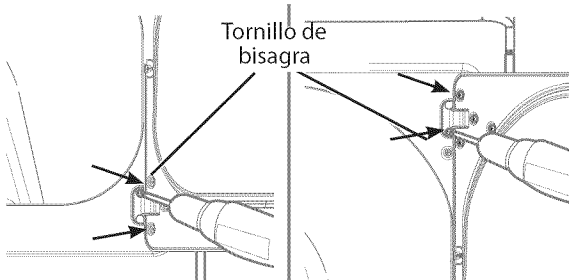
- Para evitar daños en la secadora o en la puerta, sujete dicha puerta con un taburete o una caja de un tamaño acorde o consiga un apoyo que soporte el peso de la puerta.
- Evite que la puerta se caiga para que no se produzcan daños en la puerta o en el suelo.

LA PUERTA DE LA SECADORA ES MUY GRANDE Y PESADA. El no seguimiento de las instrucciones siguientes puede dañar la secadora, ocasionar daños materiales o físicos.

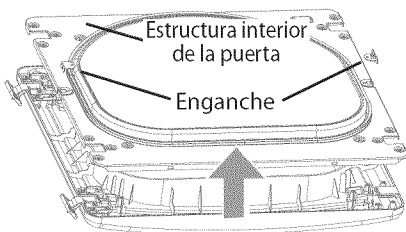
1. Abra la puerta y retire las dos cubiertas de plástico que cubren el agujero en la zona de sujeción; para ello, presione con cuidado hacia arriba con un destornillador de punta plana. Guárdelas para el paso 6.



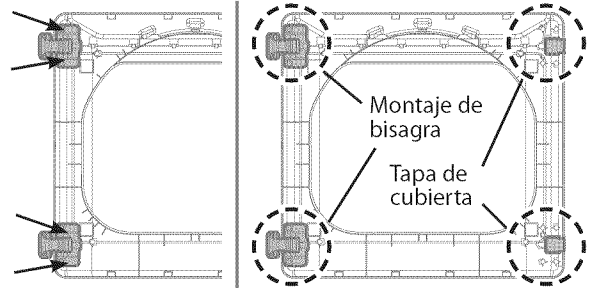
2. Mientras sujeta la puerta, retire los 4 tornillos, dos de cada bisagra. Deje la puerta a un lado, posicionada hacia abajo sobre una superficie protegida para evitar que se dañe.



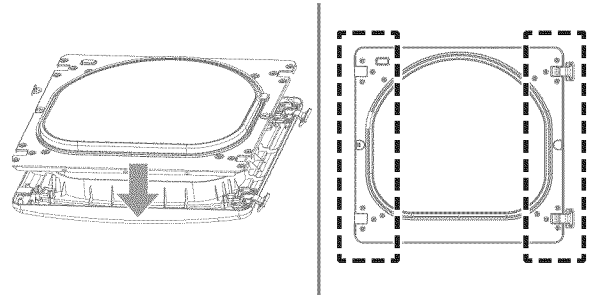
3. Con la puerta colocada sobre una superficie protegida, retire los 12 tornillos de cada lado de la puerta y retire el panel interior de la puerta con un destornillador de punta plana. Retire el enganche y la pieza, y llévelas al lado opuesto.



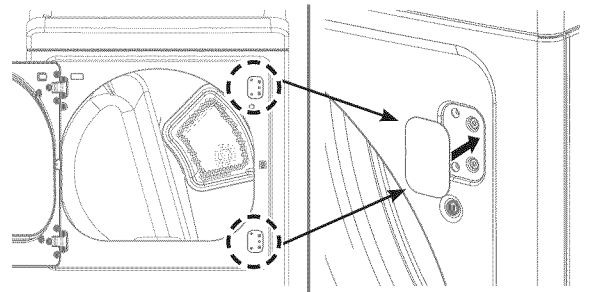
4. Retire los 4 tornillos fijando las bisagras a la estructura de la puerta. Retire los dos rellenos de plástico. Vuelva a instalar las bisagras y los rellenos en los lados opuestos a su posición inicial.



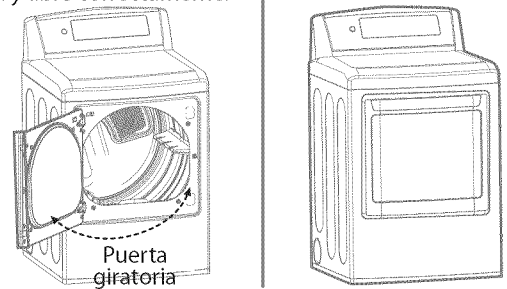
5. Con las bisagras y los rellenos en la nueva posición, monte de nuevo el panel interior de la puerta en la estructura de ésta con los tornillos retirados en el paso 3 anterior.



6. Vuelva a colocar la puerta utilizando los tornillos del paso 1,2.



6. Compruebe el giro de la puerta para asegurarse de que las bisagras y el enganche están bien alineados y que la puerta cierra y abre correctamente.



## Cómo cambiar la ubicación del conducto de ventilación de la secadora

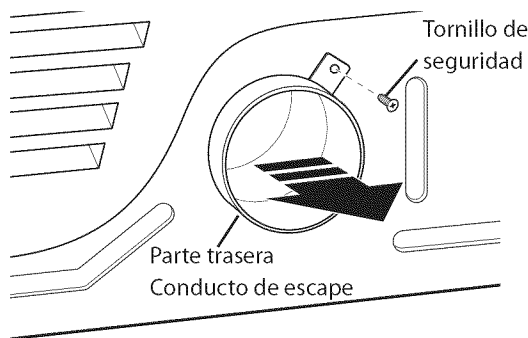
### ⚠ ADVERTENCIA

- **Utilice material para ventilación de metal pesado.**
- **No utilice conductos de plástico o aluminio delgado.**
- **Limpie los conductos antiguos antes de instalar esta secadora.**
- **Para reducir el riesgo de lesiones personales, cumpla con todos los procedimientos de seguridad recomendados por la industria, incluyendo el uso de guantes con mangas largas y gafas de seguridad.**
- En caso de no cumplir con todas las advertencias de seguridad de este manual se podrán producir daños sobre la propiedad, lesiones personales o la muerte.

Su secadora está equipada de fábrica para ventilar en la parte trasera. También puede configurarse para ventilar en la parte inferior o lateralmente (no está disponible la ventilación del lado derecho en los modelos a gas).

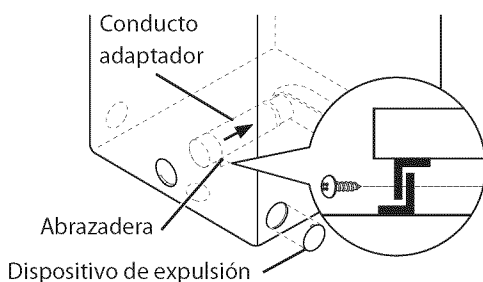
Puede adquirirse el kit adaptador, número de pieza 383EEL9001B, de su distribuidor LG. Este kit contiene los componentes de conducto necesarios para cambiar la ubicación de la ventilación de la secadora.

1. Retire el tornillo de seguridad del conducto de escape trasero. Saque el conducto de escape.



#### OPCIÓN 1: VENTILACIÓN LATERAL

2. Apriete las lengüetas en el dispositivo de expulsión y retírelo cuidadosamente para obtener la ventilación adecuada (no está disponible ventilación lateral en los modelos a gas). Apriete el conducto adaptador en la carcasa del ventilador y asegure la base de la secadora como se indica.

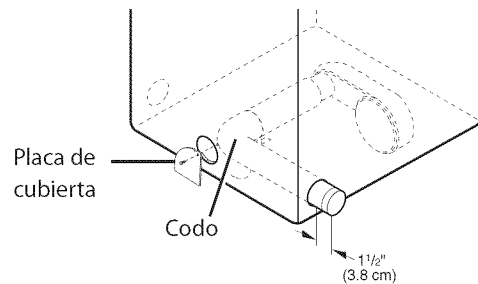


3. Conecte un codo de 4 pulgadas (10,2 cm) a la siguiente sección de conducto de 4 pulgadas (10,2 cm), y asegure todas las conexiones con cinta adhesiva impermeable. Asegúrese de que el extremo macho del codo apunte hacia AFUERA de la secadora.

Inserte el montaje de codo/conducto a través de la abertura lateral y presiónelo en el conducto adaptador. Asegúrelo en su lugar con cinta adhesiva impermeable.

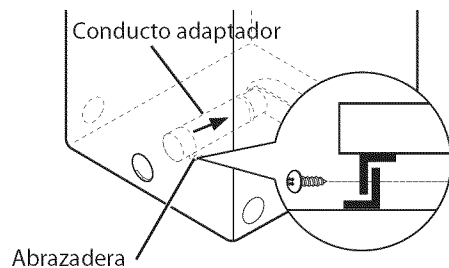
Asegúrese de que el extremo macho del conducto sobresalga 1 1/2 pulgadas (3,8 cm) para conectar el resto del sistema de ventilación.

Conecte la placa de cubierta a la parte trasera de la secadora con el tornillo provisto.



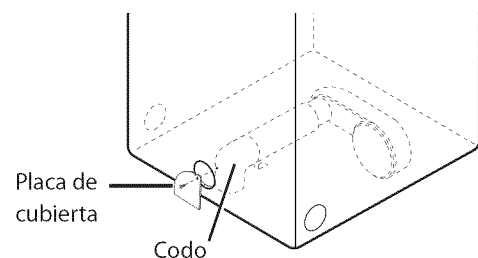
#### OPCIÓN 2: VENTILACIÓN INFERIOR

2. Apriete el conducto adaptador en la carcasa del ventilador y asegure la base de la secadora como se indica.



3. Inserte el codo de 4 pulgadas (10,2 cm) a través de la abertura trasera y apriételo en el conducto adaptador. Asegúrese de que el extremo macho y el codo apunten hacia abajo por el orificio ubicado en la parte inferior de la secadora. Asegúrelo en su lugar con cinta adhesiva impermeable.

Conecte la placa de cubierta a la parte trasera de la secadora con el tornillo provisto.



## Cónexión del conducto de ventilación de la secadora

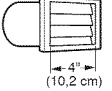
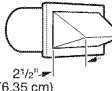
### ADVERTENCIA

Para reducir el riesgo de incendio, descargas eléctricas o heridas al usar su electrodoméstico, siga las precauciones básicas, incluyendo lo siguiente:

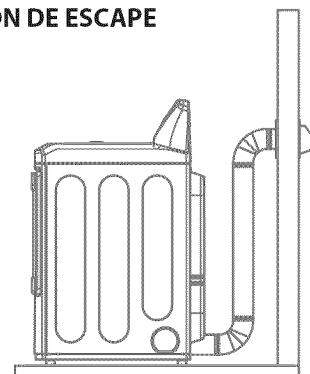
- **No aplaste ni doble el sistema de conducto.** Si no se siguen estas instrucciones se podrá producir incendio o muerte.
- **No permita que el sistema de conducto se asiente sobre objetos puntiagudos ni entre en contacto con los mismos.** Si no se siguen estas instrucciones se podrá producir incendio o muerte.
- **Si conecta a un sistema de conducto existente, asegúrese de que sea adecuado y de que esté limpio antes de instalar la secadora.** Si no se siguen estas instrucciones se podrá producir incendio o muerte.
- **El sistema de ventilación debe seguir los códigos de construcción.** Si no se siguen estas instrucciones se podrá producir incendio o muerte.
- **Las secadoras de gas DEBEN ventilar hacia el exterior.** Si no se siguen estas instrucciones se podrá producir incendio o muerte.
- **Únicamente use un sistema de conducto rígido y de metal flexible de 10,2 cm (4 pulg.) dentro del gabinete de la secadora y para ventilación al exterior.** Si no se siguen estas instrucciones se podrá producir incendio o muerte.
- **Para reducir el riesgo de incendio, combustión o acumulación de gases combustibles, NO descargue el escape de la secadora en un área cerrada o no ventilada, tal como un desván, pared, cielo raso, espacio entre el cimientto y la tierra, chimenea, conducto de gas o espacios ocultos de un edificio.** Si no se siguen estas instrucciones se podrá producir incendio o muerte.
- **Para reducir el riesgo de incendio, NO descargue el escape de la secadora usando conductos de plástico ni de lámina metálica.** Si no se siguen estas instrucciones se podrá producir incendio o muerte.
- **El conducto de escape deberá tener 10,2 cm (4 pulg.) de diámetro sin obstrucciones. El conducto de escape deberá mantenerse lo más corto posible. Asegúrese de limpiar cualquier tipo de conducto antiguo antes de instalar su secadora nueva.** Si no se siguen estas instrucciones se podrá producir incendio o muerte.
- **Se recomiendan conductos rígidos o semirígidos para usar entre la secadora y la pared. En instalaciones particulares cuando es imposible realizar una conexión siguiendo las recomendaciones antes indicadas, únicamente se puede utilizar un conducto metálico de transición aprobado por UL entre la secadora y la conexión de pared. Usar este tipo de conducto afectará el tiempo de secado.** Si no se siguen estas instrucciones se podrá producir incendio o muerte.
- **NO utilice tornillos de lámina de metal ni otro tipo de aseguradores que se extiendan dentro del conducto y puedan atrapar pelusa y reducir la eficiencia del sistema de escape. Asegure todas las uniones con cinta adhesiva impermeable.** Si no se siguen estas instrucciones se podrá producir incendio o muerte.
- **Para maximizar los resultados de funcionamiento, siga las limitaciones de longitud del conducto indicadas en el cuadro de arriba.** Si no se siguen estas instrucciones se podrá producir incendio o muerte.
- **No se provee el sistema de ventilación con la secadora; el mismo deberá obtenerse localmente. La tapa terminal deberá tener reguladores de tiro con bisagras para prevenir el retorno de descarga cuando no se usa la secadora.** Si no se siguen estas instrucciones se podrá producir incendio o muerte.
- **La longitud total del conducto metálico flexible no deberá superar los 2,4 m (8 pies).**
- **En Canadá, sólo se deberán usar conductos flexibles de lámina de metal, si se precisasen, específicamente identificados por el fabricante para su uso con el electrodoméstico.** En EE.UU., sólo se deberán usar conductos flexibles de lámina de metal, si se precisasen, específicamente identificados por el fabricante para su uso con el electrodoméstico y que cumplan la "Outline for Clothes Dryer Transition Duct" (Directriz para conductos de transición de secadoras), Sujeto 2158A.

## Conexión del conducto de ventilación de la secadora (cont.)

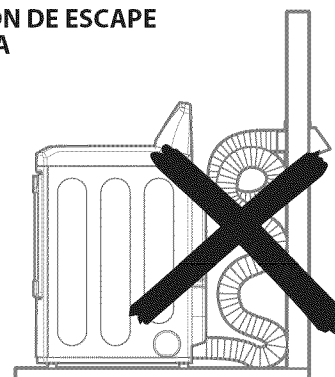
### Sistema de conducto

TIPO DE TAPA DE PARED	NÚMERO DE CODOS DE 90°	LONG. MÁX. DE CONDUCTO METÁLICO FLEXIBLE DE DIÁM. 4"
Recomendado  4" (10,2 cm)	0	65 pies (19,8 m)
	1	55 pies (16,8 m)
	2	47 pies (14,3 m)
	3	36 pies (11,0 m)
	4	28 pies (8,5 m)
Solamente para el uso en los instalaciones de conducto cortos  2 1/2" (6,35 cm)	0	55 pies (16,8 m)
	1	47 pies (14,3 m)
	2	41 pies (12,5 m)
	3	30 pies (9,1 m)
	4	22 pies (6,7 m)

VENTILACIÓN DE ESCAPE CORRECTA



VENTILACIÓN DE ESCAPE INCORRECTA



#### NOTA

Reste 6 pies (1,8 m) por cada codo adicional. No se recomienda usar más de cuatro codos de 90°.

### DIRECCIONAMIENTO Y CONEXIÓN DEL SISTEMA DE CONDUCTO DE ESCAPE

#### NOTA

Siga las pautas indicadas más abajo para maximizar el desempeño de secado y reducir la acumulación de pelusa en el sistema de conducto.

El sistema de conducto y las conexiones NO están incluidas y deben adquirirse por separado.

- Use un sistema de conducto metálico rígido o semirígido de 10,2 cm (4 pulg.).
- El conducto de escape deberá tenderse lo más corto posible.
- Use la menor cantidad de conexiones de codo que sea posible.
- El extremo macho de cada sección del conducto de escape deberá apuntar hacia afuera de la secadora.
- Use cinta adhesiva impermeable en todas las conexiones de conducto.
- Aísle el sistema de conducto que se tiende a través de áreas sin calefacción para reducir la condensación y acumulación de pelusa en las superficies del conducto.
- Si no se instala correctamente la ventilación de escape de la secadora, se anulará la garantía.

## Conexión de secadoras a gas

### ⚠️ ADVERTENCIA

Para reducir el riesgo de incendio, descargas eléctricas o heridas al usar su electrodoméstico, siga las precauciones básicas, incluyendo lo siguiente:

- **Requisitos de suministro de gas:**  
**Como enviado de fábrica, si configura la secadora para uso con gas natural. Puede convertirse para usar con gas LP (propano líquido). La presión de gas no debe sobrepasar la columna de agua de 13 pulgadas.**
- **Un técnico calificado de mantenimiento o de la compañía de gas debe conectar la secadora al suministro de gas.** Si no se cumple con esto se podrá producir una explosión, incendio o muerte.
- **Aísle la secadora del sistema de suministro de gas cerrando su válvula de corte individual manual durante cualquier tipo de prueba de presión del suministro de gas.** Si no se cumple con esto se podrá producir una explosión, incendio o muerte.
- **Requisitos de la línea de suministro: Su cuarto de lavado debe tener una línea rígida de suministro de gas para la secadora. En los EE. UU., se debe instalar una válvula de corte manual individual a una distancia de por lo menos 6 pies (1,8 m) de la secadora, de acuerdo con el Código Nacional de Gas Combustible ANSI Z223.1. Se debe instalar un tapón de tubería de 1/8 pulgadas NPT.** Si no se cumple con esto se podrá producir una explosión, incendio o muerte.
- **Si se usa tubería rígida, la tubería rígida deberá ser de 1/2 pulgadas IPS. Si es aceptable según los códigos y las regulaciones locales, y cuando sea aceptable según su compañía proveedora de gas, se puede usar tubería de 3/8 pulgadas aprobada, cuando las longitudes sean menores de 20 pies (6,1 m). Se debe usar tubería más larga en caso de longitudes que exceden los 20 pies (6,1 m).** Si no se cumple con esto se podrá producir una explosión, incendio o muerte.
- **Conecte la secadora al tipo de gas indicado en la placa del nombre.** Si no se cumple con esto se podrá producir una explosión, incendio o muerte.
- **Para prevenir la contaminación de la válvula de gas, purgue el aire y sedimento del suministro de gas antes de conectar el suministro de gas a la secadora. Antes de ajustar la conexión entre el suministro de gas y la secadora, purgue el aire hasta que se detecte olor a gas.** Si no se cumple con esto se podrá producir una explosión, incendio o muerte.
- **NO use una llama abierta para inspeccionar las fugas de gas. Use un fluido anticorrosivo para detección de fugas.** Si no se cumple con esto se podrá producir una explosión, incendio o muerte.
- **Utilice únicamente una línea de suministro de gas nueva certificada por AGA o CSA, con conectores flexibles de acero inoxidable.** Si no se cumple con esto se podrá producir una explosión, incendio o muerte.
- **Ajuste bien todas las conexiones de gas.** Si no se cumple con esto se podrá producir una explosión, incendio o muerte.
- **NO intente desmontar ningún componente de la secadora; cualquier desmontaje requiere de la atención y herramientas de un técnico o compañía de mantenimiento autorizado y calificado.** Si no se cumple con esto se podrá producir una explosión, incendio o muerte.
- **Use un compuesto para conexiones de tubería insoluble en gas de petróleo líquido (LP) en todas las roscas de tubería.** Si no se cumple con esto se podrá producir una explosión, incendio o muerte.

### Requisitos eléctricos para modelos a gas únicamente

### ⚠️ ADVERTENCIA

Para reducir el riesgo de incendio, descargas eléctricas o heridas al usar su electrodoméstico, siga las precauciones básicas, incluyendo lo siguiente:

- **Bajo ninguna circunstancia, corte o quite la tercera pata (puesta a tierra) del cable eléctrico.** Si no se cumple con esto se podrá producir una explosión, incendio o muerte.
- **Por motivos de seguridad personal, la secadora debe estar conectada a tierra adecuadamente.** Si no se cumple con esto se podrá producir una explosión, incendio o muerte.
- **El cable eléctrico de esta secadora está equipado con un enchufe de 3 patas (conexión a tierra) que se conecta a un tomacorriente de pared de tres patas (con conexión a tierra) para minimizar la posibilidad de peligro de descarga eléctrica de este electrodoméstico.** Si no se cumple con esto se podrá producir una explosión, incendio o muerte.
- **Se debe enchufar esta secadora a un tomacorriente conectado a tierra de 120 V CA, 60 Hz protegido por un fusible o cortacircuitos de 15 amperios.** Si no se cumple con esto se podrá producir una explosión, incendio o muerte.
- **En caso de disponer de un tomacorriente de pared estándar de 2 patas, es su responsabilidad y obligación personales cambiarlo por uno de 3 patas conectado a tierra adecuadamente.** Si no se cumple con esto se podrá producir una explosión, incendio o muerte.

## Conexión de secadoras a gas (cont.)

### ⚠ ADVERTENCIA

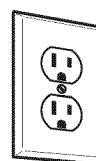
Para reducir el riesgo de incendio, descargas eléctricas o heridas al usar su electrodoméstico, siga las precauciones básicas, incluyendo lo siguiente:

- **La instalación y el mantenimiento deben proveerse por un instalador calificado, agencia de mantenimiento o compañía de gas.** Si no se cumple con esto se podrá producir una explosión, incendio o muerte.
- **Use únicamente un conector de acero inoxidable nuevo y un conector certificado por AGA nuevo.** Si no se cumple con esto se podrá producir una explosión, incendio o muerte.
- **Se debe instalar una válvula de corte de gas a una distancia mínima de 6 pies (1,8 m) de la secadora.** Si no se cumple con esto se podrá producir una explosión, incendio o muerte.
- **La secadora está configurada para gas natural cuando se envía de fábrica. Asegúrese de que la secadora está equipada con la boquilla de quemador correcta para el tipo de gas que se usará (gas natural o petróleo líquido, LP).** Si no se cumple con esto se podrá producir una explosión, incendio o muerte.
- **Si es preciso, será un técnico cualificado quien instale la boquilla correcta (para el kit de conversión LP, con número de pieza 383EEL3002D) se deberá tomar nota de este cambio en la secadora.** Si no se cumple con esto se podrá producir una explosión, incendio o muerte.
- **Se deben realizar todas las conexiones según los códigos y las regulaciones locales.** Si no se cumple con esto se podrá producir una explosión, incendio o muerte.
- **Las secadoras de gas DEBEN ventilar hacia el exterior.** Si no se cumple con esto se podrá producir una explosión, incendio o muerte.

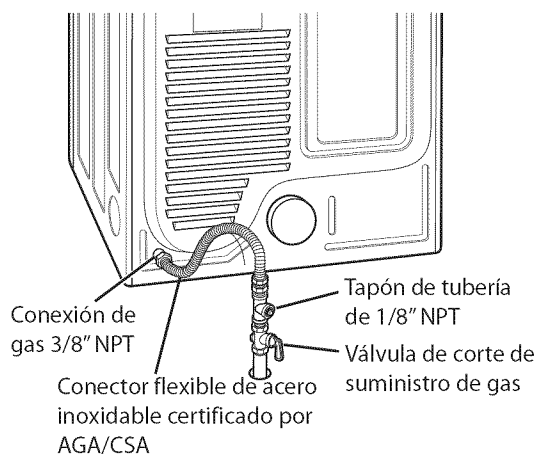
### Conexión del suministro de gas

1. Asegúrese de que el suministro de gas al cuarto de lavado se encuentre APAGADO. Confirme que el tipo de gas disponible en su cuarto de lavado sea el adecuado para la secadora. La secadora está lista para la conexión de gas natural de  $\frac{3}{8}$  pulgadas NPT.
2. Quite la tapa de envío de la conexión de gas localizada de la parte trasera de la secadora. Asegúrese de no dañar la rosca del conector de gas al quitar la tapa de envío.
3. Conecte la secadora al suministro de gas de su cuarto de lavado usando un conector de acero inoxidable flexible nuevo con una conexión de  $\frac{3}{8}$  pulgadas NPT.
4. Ajuste bien todas las conexiones entre la secadora y el suministro de gas de su cuarto de lavado. Abra el suministro de gas de su cuarto de lavado y verifique que no haya fugas en todas las conexiones de tubería (tanto interiores como exteriores) usando un fluido anticorrosivo para detección de fugas.

### Conexión eléctrica



Enchufe la secadora en un tomacorriente de **120 VAC, 60 Hz** de tres patas conectado a tierra.



### Instalaciones en lugares de gran altitud

La clasificación BTU para esta secadora es certificación AGA para elevaciones por debajo de los 10,000 pies.

Si va a instalar su secadora a más de 10,000 pies, debe ser desclasificada por un técnico calificado o compañía de gas.

## Cómo conectar las secadoras eléctricas

### ⚠️ ADVERTENCIA

Para ayudar a evitar incendios, descargas eléctricas, heridas graves o muerte, el cableado e instalación a tierra deben cumplir con la última edición del Código Eléctrico Nacional, ANSI/NFPA 70 y todas las regulaciones locales aplicables. Por favor comuníquese con un electricista calificado para que controle el cableado y los fusibles y así asegurar que su casa posea energía eléctrica adecuada para operar la secadora.

#### *Requisitos eléctricos únicamente para modelos eléctricos*

### ⚠️ ADVERTENCIA

Para reducir el riesgo de incendio, descargas eléctricas o heridas al usar su electrodoméstico, siga las precauciones básicas, incluyendo lo siguiente:

- **Esta secadora debe estar conectada a un sistema de cableado metálico permanente conectado a tierra, o se debe tender un conductor de conexión a tierra de equipo con los conductores de circuito y conectado a la terminal de conexión a tierra del equipo o conductor de la secadora.** Si no se cumple con esto se podrá producir una explosión, incendio o muerte.
- **La secadora tiene su propio bloque terminal, el cual debe conectarse a un circuito de una sola fase de 240 V CA, de 60 Hz, protegido con fusible de 30 amperios (el circuito debe tener protección de fusible a ambos terminales de la línea). El suministro eléctrico de la secadora deberá ser de la máxima clasificación de voltage listada en la placa de características. No conecte la secadora a un circuito de 110, 115 ó 120 voltios.** Si no se cumple con esto se podrá producir una explosión, incendio o muerte.
- **Si un circuito de ramal a la secadora es de 15 pies (4,5 m) o menos de longitud, use alambre listado por UL (Underwriters Laboratories) Núm.-10 AWG (únicamente alambre cobre), según lo requieran las leyes locales. Si es más largo de 15 pies (4,5 m), use alambre listado por UL (Underwriters Laboratories) Núm.-8 AWG (únicamente alambre de cobre), o según lo requieran las leyes locales. Disponga de suficiente dotación de cableado, de manera de poder mover la secadora de su ubicación normal cuando sea necesario.** Si no se cumple con esto se podrá producir una explosión, incendio o muerte.
- **NO se provee la conexión en espiral del cable eléctrico entre la caja de pared y el bloque terminal de la secadora con la misma. El tipo de conexión en espiral y el calibre del alambre deben seguir los códigos locales y las instrucciones indicadas en las siguientes páginas.** Si no se cumple con esto se podrá producir una explosión, incendio o muerte.
- **Se requiere una conexión de 4 hilos en todas las instalaciones de viviendas móviles y prefabricadas, así como en todas las construcciones nuevas posteriores al 1 de enero de 1996. Se debe usar una conexión de 4 hilos si los códigos locales no permiten la conexión a tierra utilizando el alambre neutro.** Si no se cumple con esto se podrá producir una explosión, incendio o muerte.

### ⚠️ ADVERTENCIA

Para reducir el riesgo de incendio, descargas eléctricas o heridas al usar su electrodoméstico, siga las precauciones básicas, incluyendo lo siguiente:

- **No modifique el enchufe ni el cableado interno facilitado con la secadora.**
- **La secadora deberá conectarse a una salida de 4 vías.**
- **Si no se adapta a la toma de corriente, deberá asegurarse de que un electricista cualificado instale una adecuada.**

#### *Requisitos eléctricos especiales para viviendas móviles o prefabricadas*

### ⚠️ ADVERTENCIA

Para reducir el riesgo de incendio, descargas eléctricas o heridas al usar su electrodoméstico, siga las precauciones básicas, incluyendo lo siguiente:

- **Cualquier instalación en una vivienda móvil o prefabricada debe realizarse de conformidad con los Estándares de seguridad y construcción de viviendas prefabricadas, Título 24 CFR, Parte 32-80 o estándar CAN/CSA02240 MH y con los códigos y regulaciones locales.**
- **Se requiere una conexión de 4 hilos en todas las instalaciones de viviendas móviles y prefabricadas, así como en todas las construcciones nuevas posteriores al 1 de enero de 1996.** Si no se cumple con esto se podrá producir una explosión, incendio o muerte.

## Cómo conectar las secadoras eléctricas (cont.) SÓLO EE.UU.

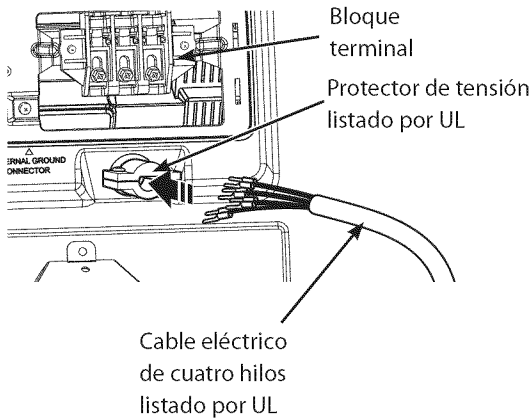
### ⚠ ADVERTENCIA

- Conecte el cable de suministro de corriente al bloque terminal. Cada cable de color, se debe conectar al tornillo del mismo color. El color del cable que figura en el manual se conecta el tornillo del mismo color en el bloque. De otro modo se podrá producir un flujo de corriente corto o excesivo.
- Contacto por conductor neutro está prohibido para: (1) nuevas instalaciones de circuito derivado, (2) las casas móviles, (3) vehículos recreacionales, y (4) áreas donde los códigos prohíben una conexión a tierra por el conductor neutro.

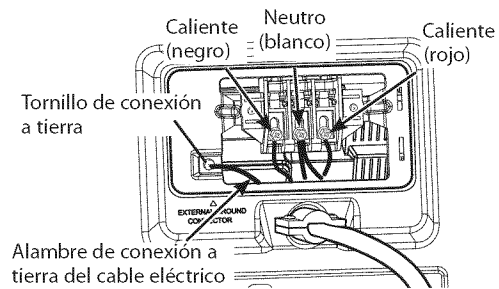


#### Conexión de cuatro hilos para secadoras eléctricas: Cable eléctrico con enchufe

- Se requiere una conexión de 4 hilos en todas las instalaciones de viviendas móviles y prefabricadas, así como en todas las construcciones nuevas posteriores al 1 de enero de 1996.
  - Se requiere un protector de tensión listado por UL.
1. Quite la cubierta de acceso al bloque terminal localizado en la parte superior trasera de la secadora. Instale un protector de tensión listado por UL en el orificio de pase del cable eléctrico; luego pase un cable eléctrico conductor de cobre Núm. 10 AWG de por lo menos 4 hilos, 30 A listado por UL por el protector de tensión.



- Instale un cable eléctrico de **30 A, 240 V, listado por UL con un conductor de cobre Núm.-10 AWG como mínimo** y terminales de bucle cerrado o de horquilla con extremos doblados hacia arriba.
2. Transfiera el alambre de conexión a tierra de la secadora detrás del tornillo de conexión a tierra de color verde al tornillo central del bloque terminal. Conecte los dos conductores calientes del cable eléctrico a los tornillos del bloque terminal exterior. Conecte el cable neutro de color blanco al tornillo del bloque terminal central. Conecte el alambre de conexión a tierra del cable eléctrico al tornillo de conexión a tierra de color verde. **AJUSTE BIEN TODOS LOS TORNILLOS.** Reinstale la cubierta de acceso del bloque terminal.



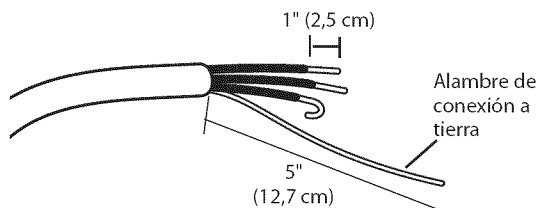
## Cómo conectar las secadoras eléctricas (cont.) SOLO EE.UU.

### ⚠ ADVERTENCIA

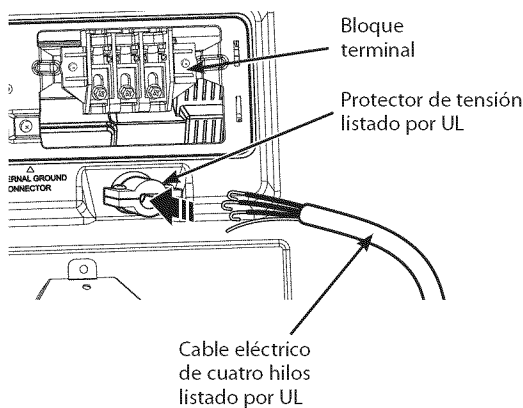
- Conecte el cable de suministro de corriente al **bloque terminal**. Cada cable de color se debe conectar al tornillo del mismo color. El color del cable que figura en el manual se conecta el tornillo del mismo color en el bloque. De otro modo se podrá producir un flujo de corriente corto o excesivo.
- **Contacto por conductor neutro está prohibido para: (1) nuevas instalaciones de circuito derivado, (2) las casas móviles, (3) vehículos recreacionales, y (4) áreas donde los códigos prohíben una conexión a tierra por el conductor neutro.**

### Conexión de cuatro hilos para secadoras eléctricas: Conexión directa

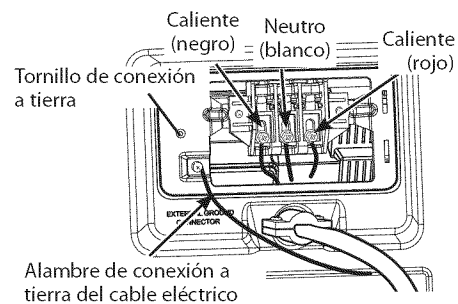
- Se requiere una conexión de 4 hilos en todas las instalaciones de viviendas móviles y prefabricadas, así como en todas las construcciones nuevas posteriores al 1 de enero de 1996.
  - Se requiere un protector de tensión listado por UL.
1. Despegue 5 pulg. (12,7 cm) de la cubierta del cable del final. Descubra 5 pulg. de aislamiento del cable de conexión a tierra. Corte aproximadamente 1/2 pulg. (3,8 cm) de los otros 3 cables y despegue 1 pulg. (2,5 cm) del aislamiento del cada uno. Haga los finales de los 3 cables en forma de gancho.



2. Quite la cubierta de acceso al bloque terminal localizado en la parte superior trasera de la secadora. Instale un protector de tensión listado por UL en el orificio de pase del cable eléctrico; luego pase el cable eléctrico fabricado en el Paso 1 por el protector de tensión.



- Instale un cable eléctrico listado por UL con **4 conductores de cobre Núm.-10 AWG como mínimo**.
  - Prepare un mínimo de 5 pies (1,5 m) de longitud para poder quitar y reemplazar la secadora.
3. Transfiera el alambre de conexión a tierra de la secadora detrás del tornillo de conexión a tierra de color verde al tornillo central del bloque terminal. Conecte los dos conductores calientes del cable eléctrico a los tornillos del bloque terminal exterior. Conecte el cable neutro de color blanco al tornillo del bloque terminal central. Conecte el alambre de conexión a tierra del cable eléctrico al tornillo de conexión a tierra de color verde. **AJUSTE BIEN TODOS LOS TORNILLOS.** Reinstale la cubierta de acceso del bloque terminal.



## Cómo conectar las secadoras eléctricas (cont.) SOLO EE.UU.

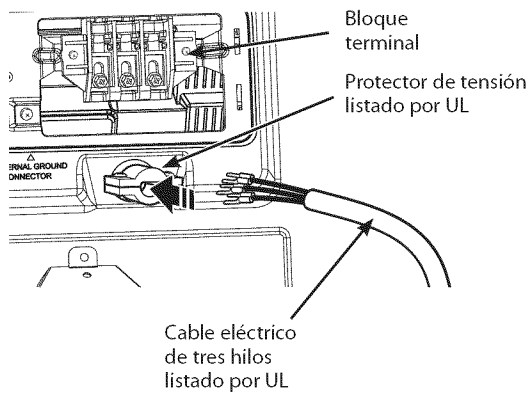
### ⚠ ADVERTENCIA

- Conecte el cable de suministro de corriente al bloque terminal. Cada cable de color se debe conectar al tornillo del mismo color. El color del cable que figura en el manual se conecta el tornillo del mismo color en el bloque. De otro modo se podrá producir un flujo de corriente corto o excesivo.
- Contacto por conductor neutro está prohibido para: (1) nuevas instalaciones de circuito derivado, (2) las casas móviles, (3) vehículos recreacionales, y (4) áreas donde los códigos prohíben una conexión a tierra por el conductor neutro.

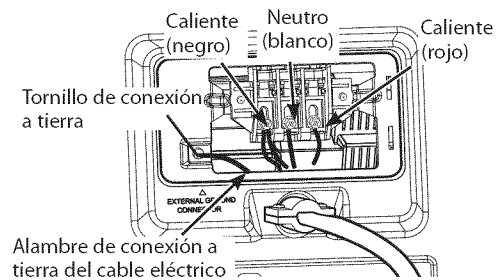


#### Conexión de tres hilos para secadoras eléctricas: Cable eléctrico con enchufe

- NO se permite una conexión de 3 hilos en construcciones nuevas después del 1 de enero de 1996.
  - Se requiere un protector de tensión listado por UL.
1. Quite la cubierta de acceso al bloque terminal localizado en la parte superior trasera de la secadora. Instale un protector de tensión listado por UL en el orificio de pase del cable eléctrico; luego pase un cable eléctrico conductor de cobre Núm. 10 AWG de por lo menos 3 hilos, 30 A, 240 V, listado por UL por el protector de tensión.



- Instale un cable eléctrico de **30 A, 240 V, listado por UL con un conductor de cobre Núm. 10 AWG como mínimo** y terminales de bucle cerrado o de horquilla con extremos doblados hacia arriba.
2. Conecte los dos conductores calientes del cable eléctrico a los tornillos del bloque terminal exterior. Conecte el cable neutro al tornillo del bloque terminal central. Conecte la conexión a tierra exterior (de ser requerido por los códigos locales) al tornillo de color verde. AJUSTE BIEN TODOS LOS TORNILLOS. Reinstale la cubierta de acceso del bloque terminal.



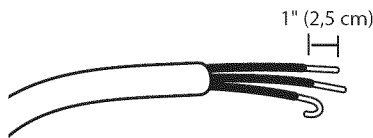
## Cómo conectar las secadoras eléctricas (cont.) SOLO EE.UU.

### ⚠ ADVERTENCIA

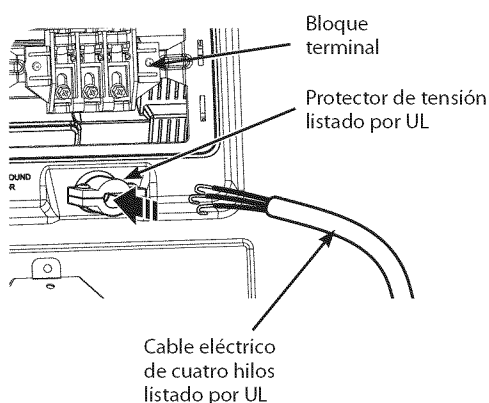
- Conecte el cable de suministro de corriente al bloque terminal. Cada cable de color se debe conectar al tornillo del mismo color. El color del cable que figura en el manual se conecta el tornillo del mismo color en el bloque. De otro modo se podrá producir un flujo de corriente corto o excesivo.
- Contacto por conductor neutro está prohibido para: (1) nuevas instalaciones de circuito derivado, (2) las casas móviles, (3) vehículos recreacionales, y (4) áreas donde los códigos prohíben una conexión a tierra por el conductor neutro.

#### Conexión de tres hilos para secadoras eléctricas: Conexión directa

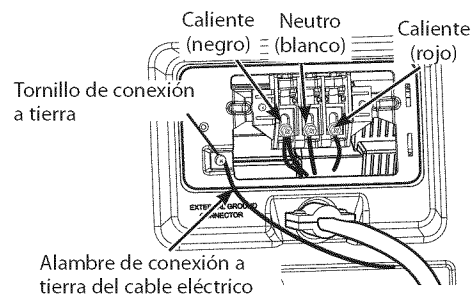
- NO se permite una conexión de 3 hilos en construcciones nuevas después del 1 de enero de 1996.
  - Se requiere un protector de tensión listado por UL.
1. Despegue  $3\frac{1}{2}$  pulg. (8,9 cm) de la cubierta del cable del final. Despegue 1 pulg. (2,5 cm) del aislamiento decada alambre. Haga los finales de los 3 cables en forma de gancho.



2. Quite la cubierta de acceso al bloque terminal localizado en la parte superior trasera de la secadora. Instale un protector de tensión listado por UL en el orificio de pase del cable eléctrico; luego pase el cable eléctrico fabricado en el Paso 1 por el protector de tensión.



- Instale un cable eléctrico listado por UL con **3 conductores de cobre Núm.-10 AWG como mínimo**.
  - Prepare un mínimo de 5 pies (1,5 m) de longitud para poder quitar y reemplazar la secadora.
3. Conecte los dos conductores calientes del cable eléctrico a los tornillos del bloque terminal exterior. Conecte el cable neutro al tornillo del bloque terminal central. Conecte la conexión a tierra exterior (de ser requerido por los códigos locales) al tornillo de color verde. AJUSTE BIEN TODOS LOS TORNILLOS. Reinstale la cubierta de acceso del bloque terminal.



## Requisitos especiales para viviendas móviles o prefabricadas

Cualquier instalación en una vivienda móvil o prefabricada debe realizarse de conformidad con los Estándares de seguridad y construcción de viviendas prefabricadas, Título 24 CFR, Parte 32-80 o estándar CAN/CSA0Z240 MH y con los códigos y regulaciones locales. Si no está seguro de si la instalación que ha propuesto cumple con estos estándares, llame a un técnico de mantenimiento e instalación para obtener ayuda.

- Una secadora de gas debería fijarse permanentemente sobre el piso.
- La conexión eléctrica de una secadora eléctrica debe ser una conexión de 4 hilos. Se provee información más detallada pertinente a la conexión eléctrica en la sección Cómo conectar las secadoras eléctricas.
- Para reducir el riesgo de combustión e incendio, se debe ventilar la secadora hacia el exterior.
- NO ventile la secadora debajo de una vivienda móvil o prefabricada.
- Las secadoras eléctricas deben ventilarse hacia el exterior usando el panel trasero, izquierdo, derecho o inferior.
- Las secadoras a gas deben ventilarse al exterior usando el panel trasero, izquierdo o inferior. Las secadoras a gas no deben ventilarse hacia el exterior usando el panel derecho debido a la carcasa del quemador.
- El conducto de escape de la secadora debe estar bien fijado a la estructura de la vivienda móvil o prefabricada, y el conducto de escape debe estar fabricado de un material resistente al fuego y la combustión. Se recomienda el uso de un conducto de metal rígido o flexible.
- NO conecte el conducto de escape de la secadora a ningún otro conducto, respiradero, chimenea ni a ningún otro tipo de conducto de escape.
- Asegúrese de que la secadora disponga de acceso adecuado al aire fresco del exterior para garantizar un funcionamiento adecuado. La abertura para la toma de aire fresco exterior debe ser de por lo menos 25 pulgadas<sup>2</sup> (163 cm<sup>2</sup>).
- Es importante que el espacio libre del conducto con respecto a cualquier material combustible de construcción sea de por lo menos 2 pulgadas (5 cm) y que, cuando se ventile la secadora al exterior, se pueda instalar la secadora dejando un espacio libre de 1 pulgada (2,5 cm) a los lados y la parte trasera de la secadora.
- Tenga en cuenta que los materiales de ventilación no se proveen con la secadora. Debe obtener los materiales de ventilación necesarios para una instalación adecuada.

## Revisión de instalación final

Una vez que haya completado la instalación de la secadora y la misma se encuentre en su ubicación final, confirme que funcione correctamente realizando las siguientes pruebas.

### Comprobación del calentamiento de la secadora

#### MODELOS A GAS

Cierre la puerta de la secadora, apriete el interruptor ON/OFF para encender la secadora, e iniciar la secadora en un ajuste de calor. Cuando inicia la secadora, el encendedor deberá encender el quemador principal.

#### NOTA

Si no se purga todo el aire de la línea de gas, el encendedor de gas podría apagarse antes de que se encienda el quemador. Si esto sucede, el encendedor volverá a intentar encender el gas después de aproximadamente dos minutos.

#### MODELOS ELÉCTRICOS

Cierre la puerta de la secadora, apriete el interruptor ON/OFF para encender la secadora, e iniciar la secadora en un ajuste de calor. El escape de aire deberá estar caliente después de que la secadora haya funcionado durante 3 minutos.

#### Revisión del flujo de aire

El funcionamiento efectivo de la secadora requiere de un flujo de aire adecuado. La corrección del flujo de aire puede medirse evaluando la presión estática. La presión estática del conducto del escape se puede medir con un manómetro, colocado en el conducto de escape aproximadamente a 2 pies (60,9 cm) de distancia de la secadora. La presión estática del conducto de escape no debería exceder las 0,6 pulgadas (1,5 cm). Se debe revisar la secadora mientras está funcionando sin carga.

#### Revisión del nivelado

Una vez que la secadora se encuentra en su ubicación final, vuelva a revisar que la misma se encuentre nivelada. Asegúrese de que esté nivelada de adelante hacia atrás y de lado a lado, y de que las cuatro patas niveladoras se encuentren asentadas en el piso firmemente.

## Test de Instalación (Comprobación del sistema de evacuación)

Una vez haya instalado la secadora, haga este test para asegurarse de que las condiciones del sistema de evacuación son las adecuadas para el funcionamiento correcto de la secadora. Este test tiene como objetivo mostrarle si existe algún problema importante en el sistema de evacuación de su vivienda.

- Esta secadora cuenta con el sistema FLOW SENSE™, un sistema innovador que detecta automáticamente los bloqueos y restricciones en la tubería de la secadora. Mantener la tubería sin acumulación de pelusa y libre de restricciones le permitirá secar la ropa más rápido y reducir el gasto de energía.

### NOTA

La secadora deberá estar fría antes de iniciar el test. Si la unidad se ha calentado durante la instalación, active el sistema SECADO CON AIRE (AIR DRY) durante unos minutos para reducir la temperatura interior.

#### Activar el test de instalación:

1. Presione y sostenga los botones SIGNAL y TEMP. al mismo tiempo. Al sostener estos botones, presione el botón ENCENDIDO/APAGADO.



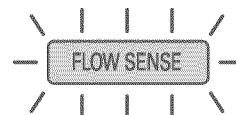
2. La secadora le mostrará InS en la pantalla numérica para indicar que se encuentra en el modo de evaluación del estado del conducto.

3. Presione START/PAUSE. La secadora evaluará durante aproximadamente 2 minutos. bloqueos o restricciones haciendo circular aire por la tubería.



4. **Observe la pantalla para conocer el resultado.**

Observe el icono FLOW SENSE en el panel de control durante los dos minutos de test. Si al terminar el test no muestra FLOW SENSE, el sistema de evacuación es adecuado. Si el sistema de evacuación sufre restricciones importantes, el icono mostrará FLOW SENSE. Si existen otros problemas, estos se le indicarán con códigos de error. Consulte en la página siguiente el listado de códigos de error y sus soluciones.



Lighting : Restricted

5. **Fin del ciclo.**

Al finalizar el test aparecerá  en la pantalla de visualización. Una vez haya terminado este ciclo, la secadora se apagará automáticamente después de unos momentos.

## Test de Instalación (Comprobación del sistema de evacuación) (cont.)

- Compruebe el código de error antes de llamar al servicio técnico

Código de error	Causas posibles	Soluciones
<b>tE</b>	• Fallo del sensor de temperatura.	• Apague la secadora y llame al servicio técnico.
<b>HS</b>	• Fallo del sensor de humedad.	• Apague la secadora y llame al servicio técnico.
<b>PS, PF o nP</b>	<ul style="list-style-type: none"> <li>• El cable de alimentación no está conectado correctamente o el suministro eléctrico de la vivienda es incorrecto.</li> <li>• Se han fundido los fusibles, ha saltado el disyuntor o ha habido un apagón.</li> </ul>	<ul style="list-style-type: none"> <li>• Compruebe el suministro eléctrico o la conexión del cable de alimentación al enchufe. Consulte la sección "Cómo conectar las secadoras eléctricas" de este manual para las instrucciones completas.</li> <li>• Reactive el disyuntor o reemplace el fusible. No incremente la capacidad del fusible. Si el problema es una sobrecarga del circuito, solicite los servicios de un electricista cualificado.</li> </ul>

### • Compruebe las condiciones del conducto

Si se iluminan FLOW SENSE tras el test, compruebe el sistema de evacuación en busca de restricciones o daños. Repare o reemplace el sistema de evacuación según sea necesario.

### ❗ NOTA

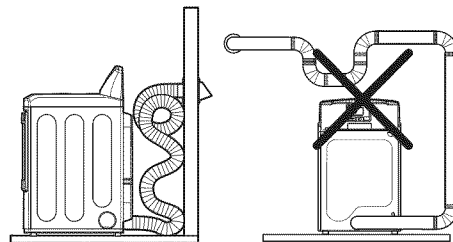
Cuando recién se instala la secadora, debe realizarse esta prueba para alertarlo sobre cualquier clase de problemas con el conducto de extracción de su hogar. Sin embargo, puesto que la prueba realizada durante un funcionamiento normal ofrece una información más precisa sobre el estado del conducto de extracción que la prueba de instalación, el FLOW SENSE visualizadas durante las dos pruebas puede no ser la misma.

No interrumpa el test, ya que de caso contrario podría obtener resultados erróneos.

Aunque FLOW SENSE no se que aparecen tras el ciclo de test, es posible que existan algunas restricciones en el sistema de evacuación. Consulte la sección "Instalación del conducto de ventilación" en este manual para conocer todos los requisitos del sistema de evacuación y de ventilación.

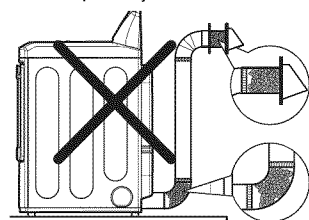
### Flujo de Aire Restringido o Bloqueado

Evite funcionamientos prolongados o funcionamientos con múltiples formaciones de torceduras o codos.



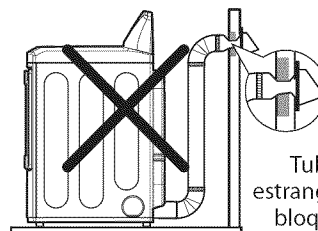
Conducto demasiado largo o muy torcido      Tubería demasiado larga o con demasiados codos

Controle los bloqueos y la acumulación de pelusa.



Acumulación de pelusa o bloqueo

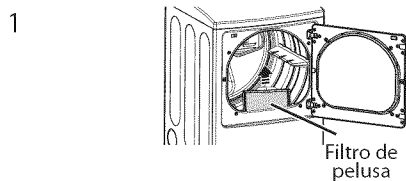
Asegúrese que la tubería no posea cortes ni restricciones.



Tubería estrangulada o bloqueada

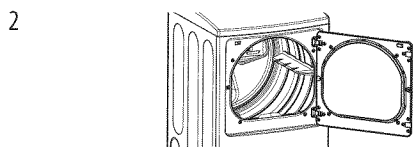
# CÓMO USAR

## Funcionamiento de la secadora



### LIMPIAR EL FILTRO DE PELUSAS

Si aún no ha limpiado el filtro de pelusas, extráigalo y elimine las pelusas procedentes de la última carga. Esto le ayudará a asegurar un funcionamiento más rápido y eficiente de secado.



### CARGAR LA SECADORA

Cargue en la secadora la carga húmeda procedente de la lavadora. Si la carga es muy grande, deberá dividirla en cargas más pequeñas para obtener un buen rendimiento y proteger los tejidos.



### ENCENDER LA SECADORA

Presione el botón ENCENDIDO/APAGADO (POWER) para encender la secadora. Si se enciende, los LEDs de ciclo se iluminarán y se emitirá un aviso sonoro. Consulte la página 10.



### SELECCIONAR UN CICLO

Pulse el botón de ciclos en cualquier sentido hasta que se ilumine el LED del ciclo que desee. Se mostrarán los ajustes preestablecidos de temperatura, nivel de secado y opción para este ciclo. Consulte la página 29. Los ajustes predeterminados para el ciclo seleccionado podrán cambiarse ahora si lo desea. Esto puede llevarse a cabo utilizando los botones modificadores de ciclo tal y como se muestra en la página 31. Las opciones de ciclo pueden añadirse utilizando los botones de opción tal y como se muestra en la página 31.

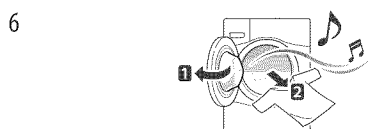
#### NOTA

No todas las opciones ni modificadores están disponibles para todos los ciclos. Se escuchará un sonido diferente y la luz LED no se iluminará si la selección no está permitida.



### INICIAR EL CICLO

Presione el botón INICIO/PAUSA (START/PAUSE) para que comience el ciclo. El ciclo puede ser pausado en cualquier momento abriendo la puerta o presionando el botón INICIO/PAUSA (START/PAUSE). Si no vuelve a iniciarse el ciclo tras 4 minutos, la secadora se apagará y los ajustes del ciclo se perderán.



### FIN DEL CICLO

Al finalizar el ciclo, si lo tiene ajustado, oirá un aviso sonoro. Retire inmediatamente sus prendas de la secadora para reducir las arrugas. Si tiene seleccionada la función CUIDADO DE ARRUGAS (WRINKLE CARE), la secadora volteará brevemente la carga cada pocos minutos para ayudar a prevenir la aparición de arrugas en sus prendas.

## Guía de ciclos

○ = Disponibles opción

Ciclo	Tipo de tela	Nivel de secado	Temperatura	Tiempo en min.	Más tiempo/ Menos tiempo	Cuidado de arrugas
BULKY/BEDDING (PRENDAS VOLUMINOSAS / ROPA DE CAMA)	Acolchados, almohadas, camisas.	NORMAL	MEDIANO	55		
		REGULABLE				
PERM. PRESS CASUAL (PLANCHADO PERM. / INFORMAL)	Prendas sintéticas, planchado permanente.	NORMAL	BAJO	32		○
		REGULABLE				
COTTON/ NORMAL (ALGODÓN/ NORMAL)	Ropa de trabajo, pana, etc.	NORMAL	MEDIANO	41		○
		REGULABLE				
HEAVY DUTY (MUY POTENTE)	Vaqueros, prendas pesadas.	NORMAL	ALTO	54		○
		REGULABLE				
DELICATES (DELICADO)	Lencería, sábanas, blusas	NORMAL	BAJO	28		○
		REGULABLE				
FRESHEN UP (REFRESCADO)	Para quitar arrugas menores de la ropa	Apagado	MEDIANO ALTO	20	○	○
			REGULABLE	REGULABLE		
SPEED DRY (SECADO RÁPIDO)	Para poca carga con tiempos de secado cortos.	APAGADO	ALTO	25	○	○
			REGULABLE	REGULABLE		
AIR DRY (SECADO CON AIRE)	Para artículos que requieren secado sin calor tales como plásticos o cauchos.	APAGADO	SIN CALOR	30	○	○
				REGULABLE		

### Ciclos de SECADO CON SENSOR (SENSOR DRY)

Los ciclos de SECADO CON SENSOR utilizan el sistema exclusivo de sensor doble de LG para detectar y comparar el nivel de humedad en las prendas y en el aire, y programar el tiempo de secado del modo necesario para asegurar resultados superiores. La secadora ajusta automáticamente el nivel de sequedad y temperatura del ajuste recomendado para cada ciclo. El tiempo restante estimado se mostrará en la pantalla.

#### NOTA

Para proteger sus prendas, no todos los niveles, temperatura u opciones están disponible con cada ciclo. Consulte la guía de ciclos para los detalles.

### Ciclos de SECADO MANUAL (MANUAL DRY)

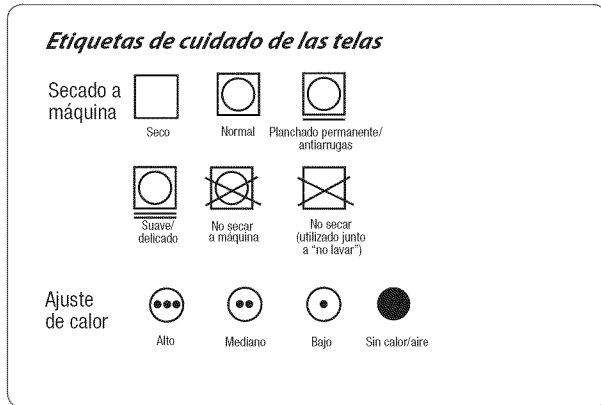
Use los ciclos de SECADO MANUAL para seleccionar una cantidad específica de tiempo y temperatura de secado. Cuando se selecciona el ciclo de SECADO MANUAL, la pantalla de TIEMPO RESTANTE ESTIMADO (ESTIMATED TIME REMAINING) muestra el tiempo restante real en su ciclo. Puede cambiar el tiempo real en el ciclo apretando MÁS TIEMPO (MORE TIME) o MENOS TIEMPO (LESS TIME).

A continuación encontrará instrucciones para comenzar a usar su secadora nueva. Para más información por favor consulte las secciones específicas de este manual.

## Clasificación de cargas

### Etiquetas de mantenimiento de las telas

La mayoría de las prendas de vestir tienen etiquetas de mantenimiento de las telas para lograr un mantenimiento adecuado.



### Grupamiento de prendas similares

Para obtener los mejores resultados, clasifique las prendas en cargas que puedan secarse con el mismo ciclo de secado.

Los diferentes tipos de telas tienen diferentes requisitos de cuidado, y algunas telas se secarán más rápido que otras.

## Cómo cargar la secadora

### ⚠️ ADVERTENCIA

Para reducir el riesgo de incendio, descargas eléctricas o heridas al usar su electrodoméstico, siga las precauciones básicas, incluyendo lo siguiente:

- **Revise todos los bolsillos para asegurarse de que estén vacíos. Los artículos como clips, fósforos, plumas, monedas y llaves pueden dañar su secadora o sus prendas. Los objetos inflamables tales como encendedores o fósforos podrían encenderse y provocar un incendio.** Si no se cumple con esto se podrá producir una explosión, incendio o muerte.
- **Nunca seque prendas que hayan sido expuestas a aceite, gasolina u otras sustancias inflamables. Lavar las prendas no eliminará completamente los residuos de aceite.** Si no se cumple con esto se podrá producir una explosión, incendio o muerte.

### Consejos útiles de carga

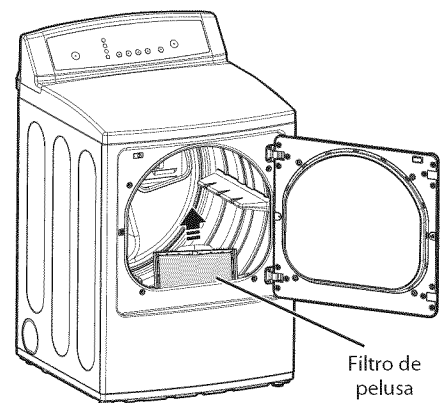
- Combine prendas grandes y pequeñas en una carga.
- Las prendas húmedas se extenderán mientras se secan. No sobrecargue la secadora; las prendas necesitan de espacio para girar y secar adecuadamente.
- Cierre las cremalleras, ganchos y cordones para prevenir que estos artículos se enganchen o enreden en otras prendas.

## Revise el filtro de pelusa antes de cada uso

Asegúrese siempre de que el filtro de pelusa esté limpio antes de iniciar una carga nueva; un filtro de pelusa bloqueado incrementará los tiempos de secado.

Para limpiarlo, tire del filtro de pelusa verticalmente y, con los dedos, enrolle cualquier pelusa para retirarla del filtro. No enjuague ni lave el filtro para eliminar la pelusa. Empuje el filtro de pelusa firmemente en su lugar. Para información adicional, vea la sección LIMPIEZA REGULAR.

Asegúrese siempre de que el filtro de pelusa esté instalado adecuadamente antes de poner en funcionamiento la secadora. Hacer funcionar la secadora sin el filtro o con un filtro de pelusa suelto podría dañar la secadora y los artículos en el interior de la misma.



## Botones de ajuste de ciclos

Los ciclos de SECADO CON SENSOR (SENSOR DRY) tienen ajustes preprogramados que se seleccionan automáticamente. Los ciclos de SECADO MANUAL (MANUAL DRY) tienen ajustes predeterminados, pero pueden Personalizarse usando los botones de ajustes de ciclos. Apriete el botón de esa opción para ver y seleccionar otros ajustes.

### NOTA

Para proteger las prendas, no todos los niveles de secado, temperatura u opción están disponibles en todos los ciclos. Vea la Guía de ciclos para obtener más detalles.

### NIVEL DE SECADO (DRY LEVEL)

Seleccione el nivel de sequedad para el ciclo. Apriete el botón de NIVEL DE SECADO (DRY LEVEL) varias veces para navegar por los ajustes disponibles.

- Esta opción está disponible únicamente en los ciclos de SECADO CON SENSOR (SENSOR DRY).
- La secadora ajustará el tiempo de ciclo automáticamente. Al seleccionar MÁS SECO (MORE DRY) o MUY SECO (VERY DRY) se incrementará el tiempo del ciclo, mientras que HUMEDO SECO (DAMP DRY) o MENOS SECO (LESS DRY) disminuirá el tiempo del ciclo.
- Use un ajuste HUMEDO SECO (DAMP DRY) o MENOS SECO (LESS DRY) en los artículos que desee planchar.

### CONTROL DEL TEMPERATURA (TEMP.)

Regula el ajuste de temperatura desde ULTRA BAJO (ULTRA LOW) a ALTO (HIGH). Esto permite el cuidado preciso de sus telas y prendas. Apriete el botón CONTROL DEL TEMPERATURA (TEMP.) varias veces para navegar por los ajustes disponibles.

### SECADO DE TIEMPO (TIME DRY)

Le permite seleccionar el tiempo de secado manualmente, de 20 a 60 minutos, en incrementos de 10 minutos. Use esta opción en cargas pequeñas o para eliminar arrugas. Use los botones de MÁS TIEMPO/MENOS TIEMPO (MORE TIME/LESS TIME) para añadir o reducir el tiempo de secado en incrementos de 1 minuto.

Su secadora dispone de varias opciones de ciclo adicionales, las cuales personalizan los ciclos para satisfacer sus necesidades individuales. Ciertos botones de opción también incorporan una función especial (vea la siguiente página para obtener mayor información) que puede activarse apretando y manteniendo apretado ese botón de opción por 3 segundos.

### Para añadir opciones de ciclo a un ciclo:

1. Encienda la secadora y pulse el ciclo para seleccionar el ciclo deseado.
2. Use los botones de programación de ciclo para fijar los ajustes para ese ciclo.
3. Apriete el(los) botón(es) de opción de ciclo para la opción que desea añadir. Aparecerá en la pantalla un mensaje de confirmación.
4. Apriete el botón INICIO/PAUSA (START/PAUSE) para iniciar el ciclo. La secadora iniciará automáticamente.

### CUIDADO DE ARRUGAS (WRINKLE CARE)

Al seleccionar esta opción, hará girar la carga periódicamente por un plazo de hasta 3 horas después del ciclo seleccionado, o hasta que se abra la puerta. Esto es de ayuda para prevenir la formación de arrugas cuando no le sea posible retirar las prendas de la secadora inmediatamente.

### SPITIDO (SIGNAL)

Ajuste el volumen del aviso sonoro o apáguelo. Presione repetidamente el botón hasta que se ilumine el volumen deseado.

## Funciones especiales

Los botones de opción también activan las funciones especiales, incluyendo, CERRADURA A PRUEBA DE NIÑOS (CHILD LOCK),

### \* CERRADURA A PRUEBA DE NIÑOS (CHILD LOCK)

Utilice esta opción para evitar un uso no deseado de la secadora o para evitar modificaciones en las configuraciones de ciclo mientras la secadora está funcionando. Presione y sostenga los botones SIGNAL al mismo tiempo durante 3 segundos para activar o desactivar la función CERRADURA A PRUEBA DE NIÑOS (CHILD LOCK). El icono de bloqueo podrá verse en la pantalla y todos los controles quedarán desactivados.

Cuando se ha fijado el seguro infantil, aparecerá el indicador de seguro infantil y se desactivarán todos los botones excepto el botón de ENCENDIDO/APAGADO (POWER).

### NOTA

Una vez seleccionado, el BLOQUEO INFANTIL permanece activo hasta que se desactiva manualmente. El BLOQUEO INFANTIL debe estar desactivado para ejecutar otro ciclo. Para desactivar el BLOQUEO INFANTIL, mantenga pulsado el botón SIGNAL tres segundos.

## Programa personalizado

Si tiene una combinación especial de ajustes que usa con frecuencia, puede guardar estos ajustes a manera de PROGRAMA PERSONALIZADO (CUSTOM PROGRAM).

### \* Para guardar un programa personalizado:

1. Encienda la secadora y pulse los botones selectores de ciclo para seleccionar el ciclo deseado.
2. Use los botones de programación de ciclo para fijar los ajustes para ese ciclo.
3. Apriete el(los) botón(es) de opción de ciclo para la opción que desea añadir. Aparecerá en la pantalla un mensaje de confirmación.
4. Apriete y mantenga apretado el botón PROGRAMA PERSONALIZADO (CUSTOM PROGRAM).

### NOTA

Puede guardar solo un programa personalizado a la vez. Al apretar y mantener apretado el botón PROGRAMA PERSONALIZADO (CUSTOM PROGRAM), reemplazará cualquier programa personalizado que haya guardado anteriormente.

### Para recuperar un programa personalizado:

1. Encienda la secadora.
2. Pulse el botón CUSTOM PROGRAM para seleccionar el programa guardado.
3. Apriete el botón INICIO/PAUSA (START/PAUSE) para iniciar el ciclo.

# MANTENIMIENTO

## Limpieza regular

### ⚠ ADVERTENCIA

Para reducir el riesgo de incendio, descargas eléctricas o heridas al usar su electrodoméstico, siga las precauciones básicas, incluyendo lo siguiente:

- **Desenchufe la secadora antes de limpiar la misma para evitar el riesgo de descargas eléctricas.**

Si no se cumple con esta advertencia se podrán producir heridas graves, incendios, descargas eléctricas o muerte.

- **Al limpiar la secadora nunca utilice químicos de corte, limpiadores abrasivos o solventes.**

Los mismos dañarán su aspecto.

### Limpieza del exterior

El mantenimiento adecuado de su secadora podría prolongar su vida útil. El exterior de la unidad puede limpiarse con agua tibia y un detergente de jabón medio, no abrasivo.

Limpie inmediatamente cualquier clase de fuga, con un trapo suave y húmedo.

### ⓘ NOTA

No use alcohol desnaturalizado, disolventes o productos similares.

Nunca use limpiadores abrasivos o de lana metálica; pueden dañar la superficie.

### Limpieza del interior

Limpie con un paño alrededor de la abertura y el sello de la puerta con un paño suave húmedo para prevenir la acumulación de pelusa y polvo que podrían dañar el sello de la puerta.

Limpie la ventanilla con un paño suave humedecido con agua caliente y un detergente suave no abrasivo para el hogar; luego seque con un paño.

Se puede limpiar el tambor de acero inoxidable con un limpiador de acero inoxidable convencional, usado según las especificaciones del fabricante. Nunca use limpiadores abrasivos ni de lana metálica; pueden raspar o dañar la superficie.

### Limpieza alrededor y debajo de la secadora

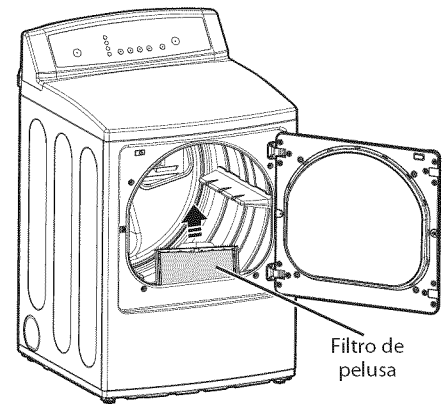
Aspire la pelusa y polvo alrededor de la secadora y debajo de ella con regularidad. Se debe revisar que el sistema de conductos de ventilación no tenga acumulación de pelusa y se debe limpiar una vez por año. Si se percibe una reducción del flujo de aire o desempeño del secado notorios, revise que el sistema de conductos no esté bloqueado ni tenga obstrucciones.

### Mantenimiento del sistema de conductos

Se debe revisar que el sistema de conductos de ventilación no tenga acumulación de pelusa y se debe limpiar una vez por año. Si se percibe una reducción del flujo de aire o desempeño del secado notorios, revise que el sistema de conductos no esté bloqueado ni tenga obstrucciones. Llame a un técnico o proveedor de mantenimiento calificados.

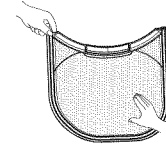
### Limpieza del filtro de pelusa

Limpie siempre el filtro de pelusa después de cada ciclo.

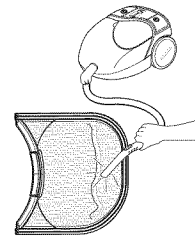


Para limpiarlo, tire del filtro de pelusa verticalmente. Luego:

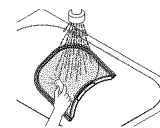
1. Con los dedos, enrolle cualquier pelusa para retirarla del filtro, o



2. Limpie el filtro de pelusa con un aspirador, o



3. Si el filtro de pelusas se ha ensuciado mucho o se ha obstruido con suavizante de tejido, lávelo en agua caliente jabonosa y déjelo secar completamente antes de volverlo a colocar.



### ⓘ NOTA

NUNCA opere la secadora sin haber colocado antes el filtro de pelusa.

NUNCA haga funcionar la secadora con un filtro de pelusas húmedo.

# RESOLUCIÓN DE PROBLEMAS

## Antes de llamar a mantenimiento

Su secadora está equipada con un sistema de monitoreo de errores automático para la detección y el diagnóstico de problemas en una etapa temprana. Si su secadora no funciona adecuadamente o no funciona en lo absoluto, revise lo siguiente antes de llamar a mantenimiento.

Problema	Causas posibles	Soluciones
La secadora no se enciende	<ul style="list-style-type: none"> <li>El cable eléctrico no está enchufado adecuadamente.</li> <li>El fusible del hogar está quemado, el cortacircuitos se ha accionado, o ha ocurrido una interrupción eléctrica.</li> </ul>	<ul style="list-style-type: none"> <li>Asegúrese de que el enchufe esté conectado de manera segura en un tomacorriente con conexión a tierra, que se corresponda con la placa de clasificación.</li> <li>Reactive el disyuntor o cambie el fusible. No aumente la capacidad del fusible. Si el problema se debe a una sobrecarga de circuito, pida a un electricista calificado que solucione el problema.</li> </ul>
La secadora no calienta	<ul style="list-style-type: none"> <li>El fusible del hogar está quemado, el cortacircuitos se ha accionado, o ha ocurrido una interrupción eléctrica.</li> <li>Se ha apagado el suministro o servicio de gas (solo modelos a gas).</li> </ul>	<ul style="list-style-type: none"> <li>Reactive el disyuntor o cambie el fusible. No aumente la capacidad del fusible. Si el problema se debe a una sobrecarga de circuito, pida a un electricista calificado que solucione el problema.</li> <li>Confirme que la válvula de corte de gas de la vivienda y la válvula de corte de gas de la secadora estén completamente abiertas.</li> </ul>
Manchas de grasa o suciedad en las prendas	<ul style="list-style-type: none"> <li>Suavizador de telas usado incorrectamente.</li> <li>Prendas limpias y sucias secadas juntas.</li> <li>Prendas limpias y sucias secadas juntas.</li> </ul>	<ul style="list-style-type: none"> <li>Confirme y siga las instrucciones provistas con su suavizador de telas.</li> <li>Asegúrese de usar su secadora solo para secar artículos limpios, ya que los artículos sucios pueden ensuciar las prendas limpias en la misma carga o en las subsiguientes.</li> <li>Las manchas en ropas secas son en realidad manchas que no se eliminaron durante los procesos de lavado. Asegúrese de que las ropas queden completamente limpias de acuerdo con las instrucciones de su lavadora y detergente.</li> </ul>
La pantalla muestra los errores tE	<ul style="list-style-type: none"> <li>No está funcionando el calefactor.</li> </ul>	<ul style="list-style-type: none"> <li>Apague la secadora y llame a mantenimiento.</li> </ul>
Pelusa en las prendas	<ul style="list-style-type: none"> <li>No se ha limpiado correctamente el filtro de pelusa.</li> <li>Prendas de lavado no clasificadas adecuadamente.</li> <li>Exceso de estática en las prendas.</li> <li>La secadora está sobrecargada.</li> <li>Pañuelos de papel, papeles, etc. dejados en los bolsillos.</li> </ul>	<ul style="list-style-type: none"> <li>Asegúrese de limpiar el filtro de pelusa antes de cada carga. Con algunas cargas que producen altas cantidades de pelusa, puede ser necesario limpiar el filtro durante el ciclo.</li> <li>Algunas telas producen pelusas (por ejemplo: una toalla de algodón peluda blanca) y deben secarse aparte de las prendas que atrapan pelusa (por ejemplo: un par de pantalones de lino).</li> <li>Observe el exceso de estática en las prendas después del secadora indicado de la sección más abajo.</li> <li>Divida las cargas grandes en cargas más pequeñas para realizar el secado.</li> <li>Revise los bolsillos minuciosamente antes de lavar y secar prendas.</li> </ul>
Exceso de estática en las prendas después del secado	<ul style="list-style-type: none"> <li>No se usa suavizador de tela o se usa incorrectamente.</li> <li>Las prendas se secaron por demasiado tiempo (excesivamente secas).</li> <li>Secado de telas sintéticas, planchado permanente o combinación de materiales sintéticos.</li> </ul>	<ul style="list-style-type: none"> <li>Use un suavizador de telas para reducir la electricidad estática. Asegúrese de seguir las instrucciones del fabricante.</li> <li>Sobrecargar una carga de lavado puede causar la acumulación de electricidad estática. Programe los ajustes y use un tiempo de secado menos prolongado; o use los ciclos SECADO CON SENSOR (SENSOR DRY).</li> <li>Estos materiales pueden causar acumulación de estática. Intente usar un suavizador de telas.</li> </ul>

## Antes de llamar a mantenimiento (cont.)

Problema	Causas posibles	Soluciones
El tiempo de secado no es constante	<ul style="list-style-type: none"> <li>Los ajustes de calor, el tamaño de la carga o la humedad de las prendas no son constantes.</li> </ul>	<ul style="list-style-type: none"> <li>El tiempo de secado para una carga variará dependiendo del ajuste de calor, tipo de calor utilizado (eléctrico, natural, o gas LP), el tamaño de la carga, el tipo de tela, el nivel de humedad de las prendas y la condición de los conductos de escape y el filtro de pelusa.</li> </ul>
Las prendas tardan demasiado tiempo en secarse	<ul style="list-style-type: none"> <li>La carga no está correctamente clasificada.</li> <li>Carga grande de telas pesadas.</li> <li>No se han programado adecuadamente los controles de la secadora.</li> <li>Se necesita limpiar el filtro de pelusa.</li> <li>Los conductos de escape están bloqueados, sucios o el tendido de los conductos es demasiado largo.</li> <li>El fusible del hogar está quemado, el cortacircuitos se ha accionado, o ha ocurrido una interrupción eléctrica.</li> <li>La secadora está sobrecargada.</li> <li>Hay muy poca carga en la secadora.</li> </ul>	<ul style="list-style-type: none"> <li>Separe los artículos pesados de los livianos. Los artículos más grandes y pesados requieren de mayor tiempo de secado.</li> <li>Las telas pesadas requieren de mayor tiempo de secado ya que tienden a retener mayor humedad. Para ayudar a reducir y mantener tiempos de secado más constantes para telas pesadas y de mayor tamaño, separe estos artículos en cargas más pequeñas de un tamaño sistemático.</li> <li>Use los ajustes de control adecuados para el tipo de carga que esté secando.</li> <li>Asegúrese de limpiar el filtro de pelusa antes de cada carga. Con algunas cargas que producen altas cantidades de pelusa, puede ser necesario limpiar el filtro durante el ciclo.</li> <li>Confirme que el sistema de conducto de escape se encuentre configurado correctamente y no tenga desechos, pelusa ni obstrucciones. Asegúrese de que los reguladores de tiro exteriores abran adecuadamente y no estén bloqueados, atascados ni dañados.</li> <li>Reactive el disyuntor o cambie el fusible. No aumente la capacidad del fusible. Si el problema se debe a una sobrecarga de circuito, pida a un electricista calificado que solucione el problema.</li> <li>Divida las cargas grandes en cargas más pequeñas para realizar el secado.</li> <li>Si está secando una carga muy pequeña, añada algunos artículos adicionales para asegurar una acción de giro apropiada.</li> </ul>
Las prendas están arrugadas	<ul style="list-style-type: none"> <li>Las prendas se secaron por demasiado tiempo (excesivamente secas).</li> <li>Se han dejado las prendas en la secadora por demasiado tiempo una vez finalizado el ciclo.</li> </ul>	<ul style="list-style-type: none"> <li>Secar excesivamente una carga de lavandería puede provocar arrugas en las prendas. Intente secar por un período menos prolongado y retire los artículos mientras aún retienen una cantidad leve de humedad.</li> <li>Retire inmediatamente todos los artículos de la secadora al final del ciclo. Use la opción CUIDADO DE ARRUGAS (WRINKLE CARE) para continuar girando las prendas al final de un ciclo, por un plazo máximo de 3 horas.</li> </ul>
Las prendas encogen	<ul style="list-style-type: none"> <li>No se siguen las instrucciones de la etiqueta de la prenda.</li> </ul>	<ul style="list-style-type: none"> <li>Para evitar que las prendas encojan, siga cuidadosamente las instrucciones de cuidado de telas correspondiente a su prenda, ya que algunas telas encogen naturalmente cuando se lavan. Otras telas se pueden lavar, pero encogen cuando se secan en una secadora. Use un ajuste de calor bajo o sin calor.</li> </ul>
La pantalla muestra el código de error PS	<ul style="list-style-type: none"> <li>El cable de alimentación está mal conectado.</li> </ul>	<ul style="list-style-type: none"> <li>Compruebe la conexión del cable de alimentación al bloque de terminales. Consulte las páginas 20-24 de este manual.</li> </ul>
La luz de REVERSE EL FILTRO (CHECK FILTER) esta encendida durante el ciclo de secado	<ul style="list-style-type: none"> <li>El filtro de pelusa está casi atascado o lleno.</li> </ul>	<ul style="list-style-type: none"> <li>Pause el ciclo de secado y limpie el filtro de pelusa.</li> </ul>
La luz de FLOW SENSE esta encendida durante el ciclo de secado	<ul style="list-style-type: none"> <li>La tubería es demasiado larga o posee muchos giros/restricciones.</li> <li>Bloqueo significativo de la tubería por acumulación de pelusa o escombros.</li> <li>El electrodoméstico ha detectado una obstrucción en la ventilación externa de la secadora.</li> </ul>	<ul style="list-style-type: none"> <li>Instale un conducto más corto o más derecho. Lea las Instrucciones de Instalación.</li> <li>La tubería se deberá controlar/limpiar de inmediato para eliminar la pelusa acumulada y otros bloqueos. La secadora se puede usar, pero su funcionamiento y eficacia se verán reducidos de forma importante.</li> <li>Si el sistema FLOW SENSE™ detecta restricciones de salida, el indicador permanecerá encendido durante dos horas tras finalizar el ciclo. Si abre la puerta o pulsa el botón ENCENDIDO/APAGADO (POWER), se apagará la pantalla.</li> </ul>

## ESPECIFICACIONES


<b>Secadora de modelos</b>	<b>DLE4801W DLG4802W</b>
Descripción	Secadora
Requisitos eléctricos*	Consulte la placa de clasificación para información en detalles.
Requisitos de gas*	NG: 4 a 10,5 pulgadas WC LP: 8 a 13 pulgadas WC (Solo modelos a gas)
Dimensiones	26,4"(An.) X 29,2" (Prof.) X 43,7" (Alt.), 51" (Prof. con puerta abierta) 67,1 cm(An.) X 74,3cm(Prof.) X 111,0cm(Alt.), 129,5(Prof. con puerta abierta)
Peso neto	124.9 lbs (56.6 kg)
Capacidad de secado - Ciclo de normal	IEC 7,1 pies cubicos (22,5 lb/10,2 kg)

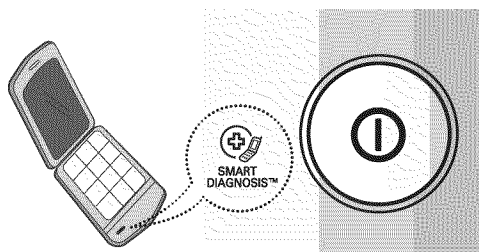
## UTILIZACIÓN DEL SMARTDIAGNOSIS™

### NOTA

- Utilice esta función sólo cuando así se lo indique el agente del Centro de Atención al Cliente. La transmisión tiene un sonido similar a la de un fax, y no tiene ningún significado, excepto para el Centro de Atención al Cliente.
- El SMARTDIAGNOSIS™ no puede activarse si la secadora no está conectada a la red eléctrica. Si esto ocurre, deberán utilizarse la solución de problemas sin el SMARTDIAGNOSIS™.

Si experimenta algún problema con su secadora, llame al número 1-800-243-0000(1-888-542-2623 en Canadá). Siga las instrucciones de nuestro agente y estos pasos, cuando así se lo soliciten:

1. Pulse el botón  para encender la secadora. No pulse ningún otro botón.
2. Cuando así se lo solicite el agente, coloque el auricular del teléfono no muy cerca del botón ENCENDIDO/APAGADO (POWER).



3. Mantenga pulsado el botón Temp. tres segundos manteniendo el teléfono orientado hacia el icono o el botón POWER.
  4. Mantenga el teléfono en esa posición hasta que haya finalizado la transmisión del tono. Serán unos 17 segundos, y la pantalla contará el tiempo.
- Para obtener los mejores resultados, no mueva el teléfono mientras se transmiten los tonos y no toque el panel de control con el teléfono.
  - Si el agente no logra realizar una grabación precisa de los datos, quizás le pida que lo intente de nuevo.
  - Si mantiene el botón ENCENDIDO/APAGADO (POWER) pulsado durante la transmisión, se apagará el SMARTDIAGNOSIS™.
5. Cuando haya terminado el recuento y se hayan detenido los tonos, vuelva a hablar con el agente, que le podrá ayudar con la información recogida para su análisis.

## LG ELECTRONICS, INC. GARANTÍA LIMITADA DE LA SECADORA LG – EE. UU.



Su secadora LG será reparada o reemplazada, a discreción de LG, si se comprueba que existe un defecto en el material o la mano de obra bajo condiciones de uso normales, durante el período de garantía ("Período de garantía") establecido más abajo, vigente desde la fecha ("Fecha de compra") de la compra del cliente original de producto. Esta garantía es válida únicamente para el comprador original del producto y cuando se usa en EE. UU., incluyendo Alaska, Hawaii, y los territorios de los EE. UU., exclusivamente.

### **PERÍODO DE GARANTÍA:**

**MANO DE OBRA:** Un año desde la Fecha de compra.

**PIEZAS:** Un año desde la Fecha de compra.

Las unidades de reemplazo y piezas de reparación podrían ser nuevas o refabricadas.

Las unidades de reemplazo o piezas de reparación están garantizadas por la porción restante del período de garantía de la unidad original.

### **CÓMO SE ADMINISTRA EL MANTENIMIENTO:**

#### **Mantenimiento en el hogar "In-Home":**

Guarde la factura fechada del distribuidor o la boleta de entrega como evidencia de la Fecha de compra como prueba para la garantía, y entregue una copia de la factura al técnico de mantenimiento al momento que se presta el mantenimiento.

**Llame al 1-800-243-0000 y escoja la opción adecuada para ubicar a su Centro de Mantenimiento Autorizado LG más cercano.**

O visite nuestro sitio Web en: <http://www.lgservice.com>.

**ESTA GARANTÍA REEMPLAZA CUALQUIER OTRA, EXPRESA O IMPLÍCITA, INCLUYENDO SIN LIMITACIÓN, CUALQUIER GARANTÍA DE COMERCIALIZACIÓN O ADECUACIÓN PARA UN PROPÓSITO DETERMINADO. EN LA MEDIDA REQUERIDA POR LA LEY, CUALQUIER GARANTÍA IMPLÍCITA SE LIMITA EN SU VIGENCIA AL PERÍODO DE GARANTÍA EXPRESA INDICADO MÁS ARRIBA. NI EL FABRICANTE NI EL DISTRIBUIDOR DE LOS EE. UU. SERÁN RESPONSABLES POR DAÑOS INCIDENTALES, CONSECUENCIALES, INDIRECTOS, ESPECIALES O PUNITIVOS DE CUALQUIER NATURALEZA INCLUYENDO SIN LIMITACIÓN, PÉRDIDA DE GANACIAS O INGRESOS, O CUALQUIER OTRA CLASE DE DAÑOS, CONTRACTUALES, EXTRA CONTRACTUALES, O DE CUALQUIER TIPO.** Algunos estados no permiten la exclusión o limitación de daños incidentales o consecuenciales o limitación en la duración de una garantía implícita, de modo que la exclusión o limitación indicada anteriormente podría no aplicar en su caso. Esta garantía le brinda derechos legales específicos y podría también tener otros derechos que varían según el estado.

### **ESTA GARANTÍA LIMITADA NO APLICA A:**

- Viajes de mantenimiento desde su hogar para entrega, recepción y/o instalación del producto, instrucción o reemplazo de fusibles del hogar o cableado adecuado o corrección de reparaciones no autorizadas.
- Los daños o problemas operativos que resulten de la negligencia en el uso, el abuso, el funcionamiento fuera de las especificaciones medio-ambientales o inconsistentes con los requisitos de precauciones establecidos en la Guía de funcionamiento, accidente, insectos, incendio, inundación, instalación inadecuada, casos de fuerza mayor, modificación o alteración no autorizada, corriente o voltaje incorrectos, o uso comercial, o uso diferente al indicado.

El costo de reparación o reemplazo bajo estas circunstancias excluidas será responsabilidad del cliente.

### **NÚMEROS DE CENTROS INFORMACIÓN DE CLIENTE**

**Para obtener Asistencia para el cliente, información del producto o mantenimiento o distribuidor autorizado:**

**Llame al 1-800-243-0000** (24 horas al día, 365 días al año), y seleccione la opción adecuada a partir del menú.

**O visite nuestro sitio Web en: <http://www.lgservice.com>.**

### **PARA CONTACTAR A LG ELECTRONICS POR CORREO:**

LG Customer Information Center  
P. O. Box 240007 201 James Record Road  
Huntsville, Alabama 35824  
ATTN: CIC

### ***Información de registro del producto***

**Modelo:**

**Número de serie:**

**Fecha de compra:**

El modelo y número de serie figuran en la placa de clasificación en la parte interna de la puerta del frente.









LG Customer Information Center

1-800-243-0000 USA

1-888-542-2623 CANADA

Register your product Online!

[www.lg.com](http://www.lg.com)