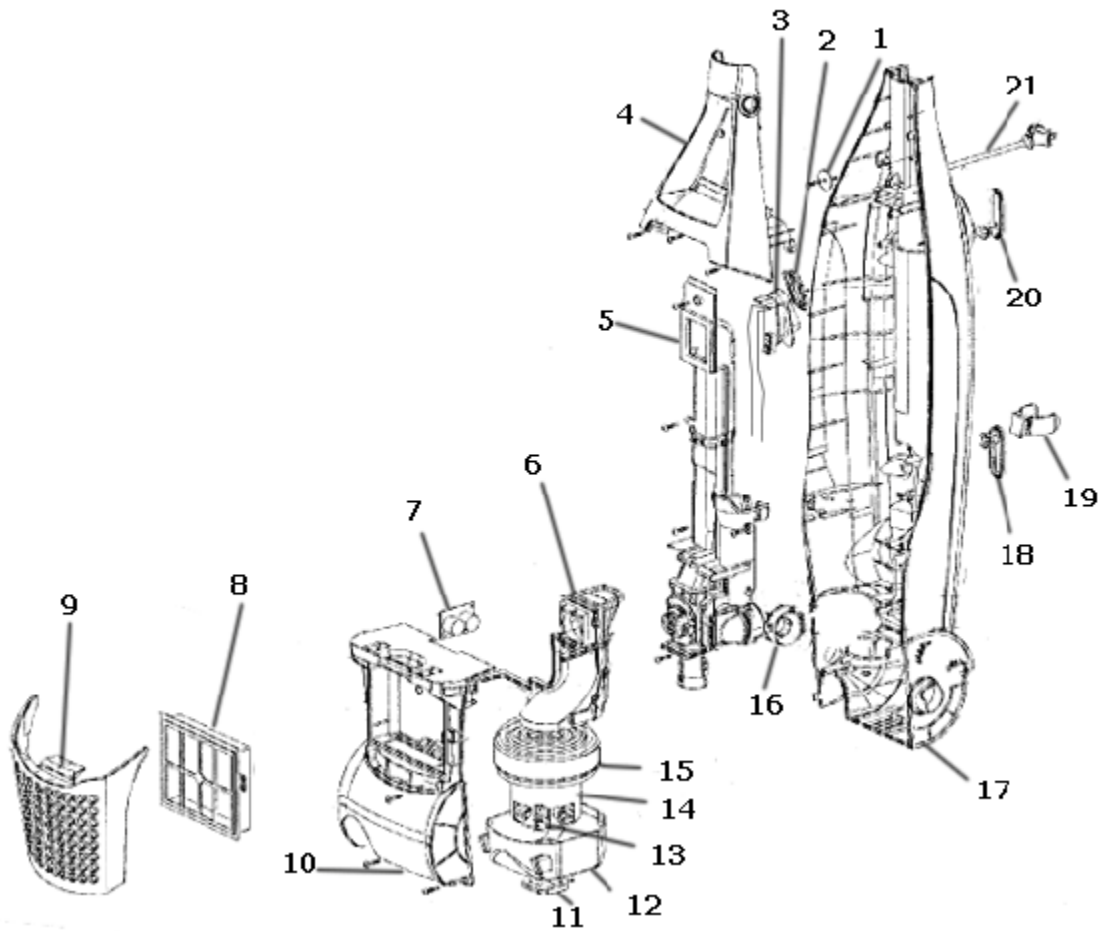


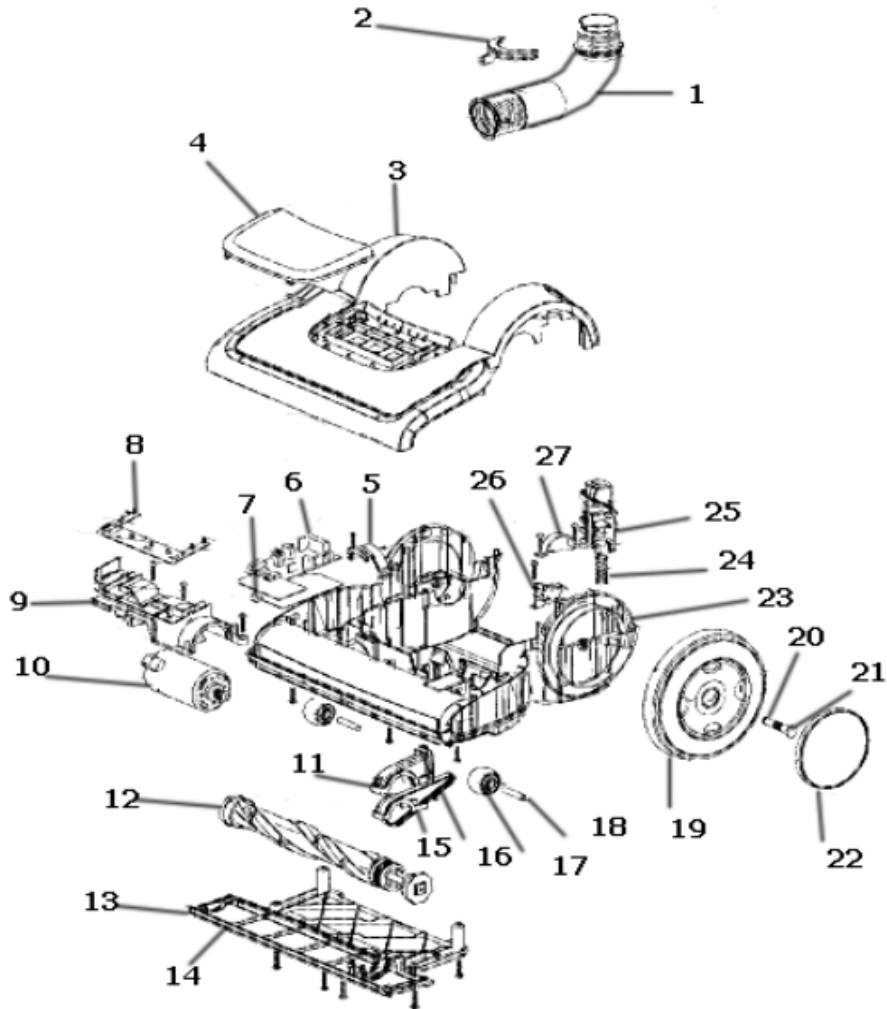
Ref #	Part	Description	Comments	Qty
1	15890-3	HANDLE & HOSE ASSY - CART		
2	78936A	WAND ASSEMBLY		
3	79251-3	TURBO NOZZLE ASSEMBLY		
4	79270	BELT		
5	78519-366N	TOOL - CREVICE		
6	79976	OWNERS GUIDE		

Main Body - EL8502A / B



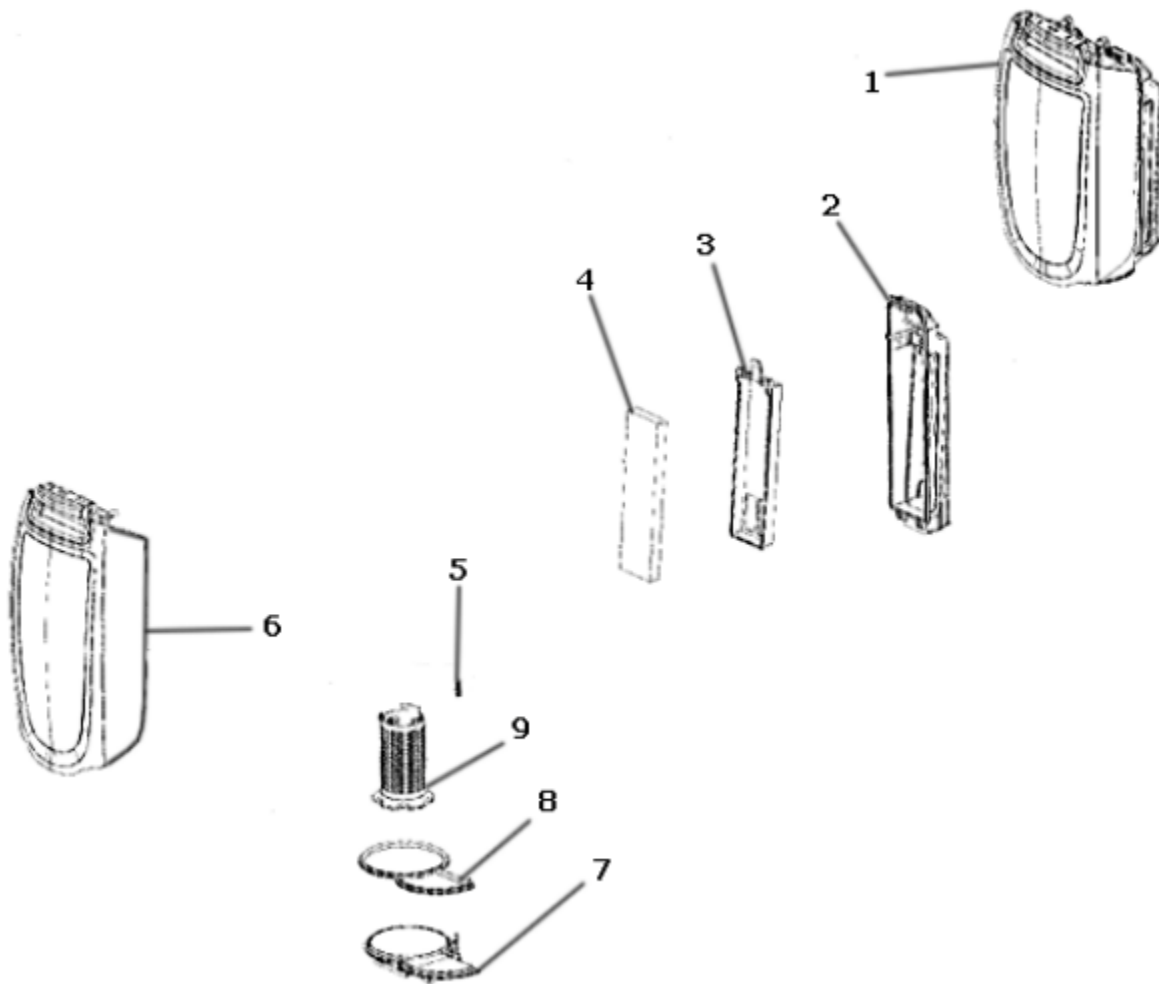
Ref #	Part	Description	Comments
1	74178	WASHER - FIBER	
2	80345	SWITCH COVER & GRAPHICS A	
3	80376	SWITCH HOUSING ASSEMBLY	
4	80366-3	TOP COVER & BUCKLE ASSEMB	
5	79051	VALVE ASSEMBLY	
6	79050	AIR CHUTE ASSEMBLY	
7	78899	PCB - PRESSURE SENSOR	
8	80714	HEPA FILTER W/CHARCOAL	
9	15895-2	FILTER COVER ASSY - PACKA	
10	15894-1	MOTOR COVER ASSY - PACKAG	
11	78901	GROMMET - MOTOR	
12	79465-119N	MOTOR SHROUD	
13			
14	15897-1	MOTOR ASSY - CARTONED	
15	79742	GASKET - MOTOR CAN	
16	79741-119N	COVER - SUCTION	
17	15893-1	REAR HOUSING & PAINT ASSE	
18	79070	QUICK CORD RELEASE ASSEMB	
19	79220-489N	LOWER HOSE HOOK	
20	79070	QUICK CORD RELEASE ASSEMB	
21	39584-29	CORD - LOW LEAD (17 GA)	
	79088	FILTER - SAFETY	

Base & Hood - EL8502A / B



Ref #	Part	Description	Comments	Qty
1	80375	BASE HOSE ASSEMBLY		
2	79084-119N	CLIP - BASE HOSE		
3	15891-3	HOOD & FURNIT GUARD ASSY-		
4	80306	DISPLAY PANEL ASSEMBLY		
5	79926-119N	CLAMP - BASE HOSE		
6	78532A	MAIN PC BOARD (US)		
7	80831	FIBER BOARD (ELECTRONICS)		
8	80794	PCB - DISPLAY		
9	78533-366N	COVER - BRUSHROLL MOTOR		
10	15899-1	BRUSHROLL MOTOR & PULLEY		
11	79094-366N	CAP - BELT		
12	15898-1	BRUSHROLL ASSY - CARTONED		
13	80350	SOLEPLATE ASSEMBLY		
14	79091	GASKET - SOLEPLATE		
15	81021	FELT - SOLEPLATE		
16	77133	BELT - POLY V		
17	80349	FRONT WHEEL ASSEMBLY		
18	79047	AXLE - FRONT WHEEL		
19	79044A	REAR WHEEL ASSEMBLY		
20	54432-2	PACKAGE - RETAINING RING		
21				
22	78541-489N	CAP - HUB		
23	80378A-1	BASE & PAINT ASSEMBLY		
24	79092	SPRING - HANDLE RELEASE		
25	80795	HANDLE RELEASE ASSEMBLY		
26	59397-8	MICRO SWITCH & BRACKET AS		
27	61614	CLAMP		

Dust Cup Assembly - EL8502A / B



Ref #	Part	Description	Comments	Qty
1	79027-3	CYCLONE ASSEMBLY		
2	80362-1	PRE-MOTOR FILTER COVER AS		
3	79941	FILTER FRAME ASSEMBLY		
4	79032	FILTER - FOAM		
5	15896-1	SPRING - PACKAGED		
6	80364-3	CYCLONE COVER ASSEMBLY		
7	78544-366N	LID - BOTTOM		
8	78892-366N	SEAL - BOTTOM LID		
9	78547-489N	SCREEN		