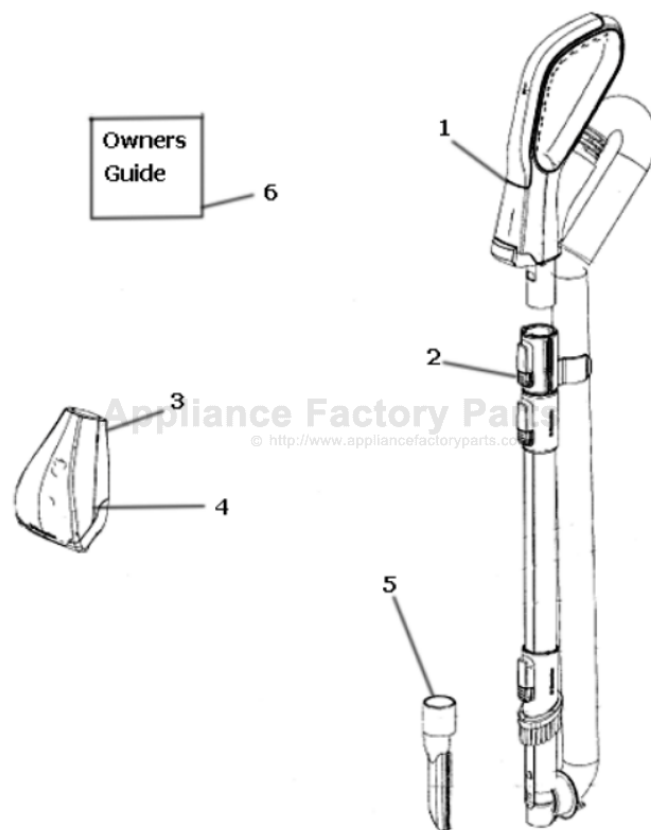


This Owner's Manual is provided and hosted by [Appliance Factory Parts](http://www.appliancefactoryparts.com).



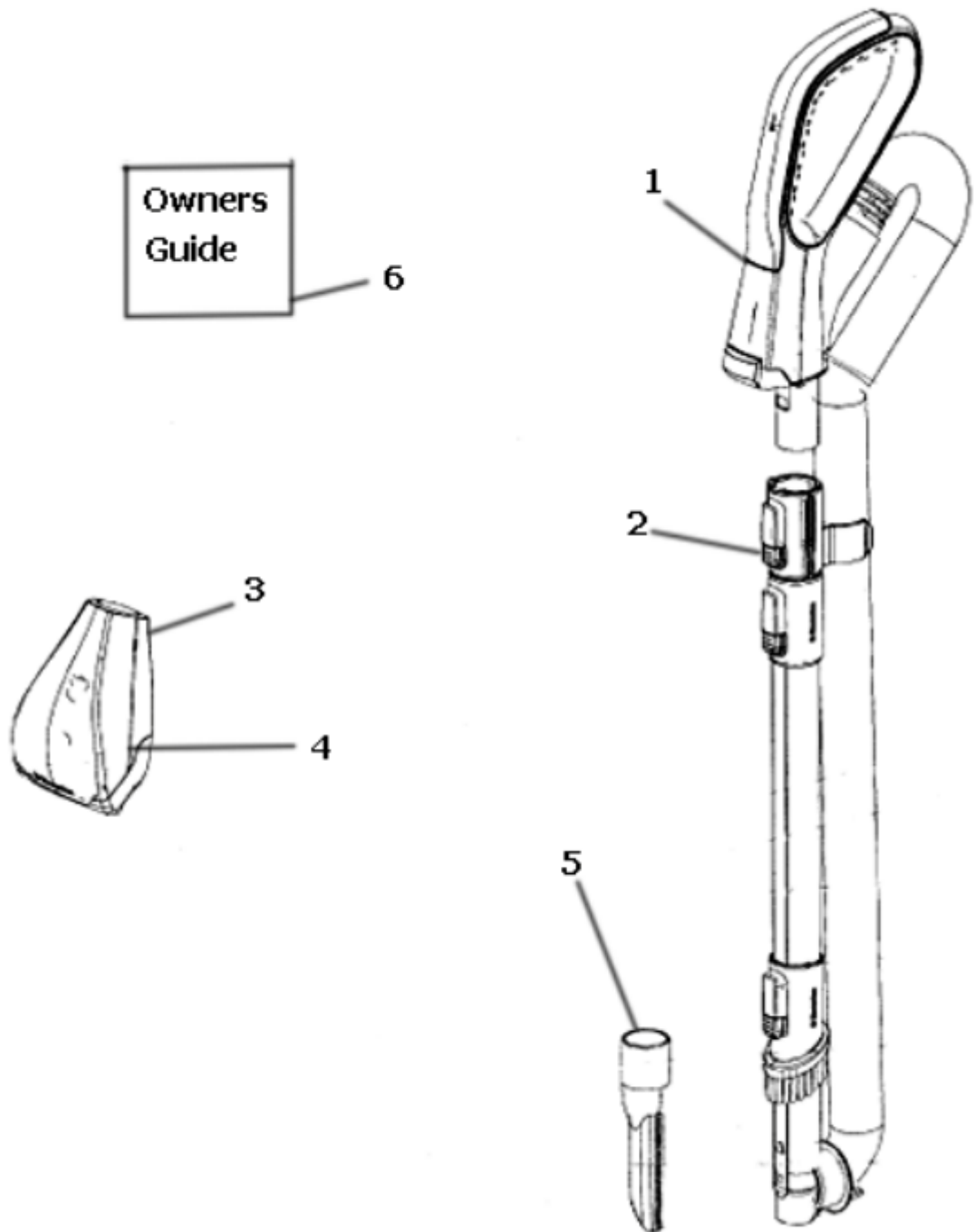
Eureka EL8505A Owner's Manual

[Shop genuine replacement parts for Eureka EL8505A](#)



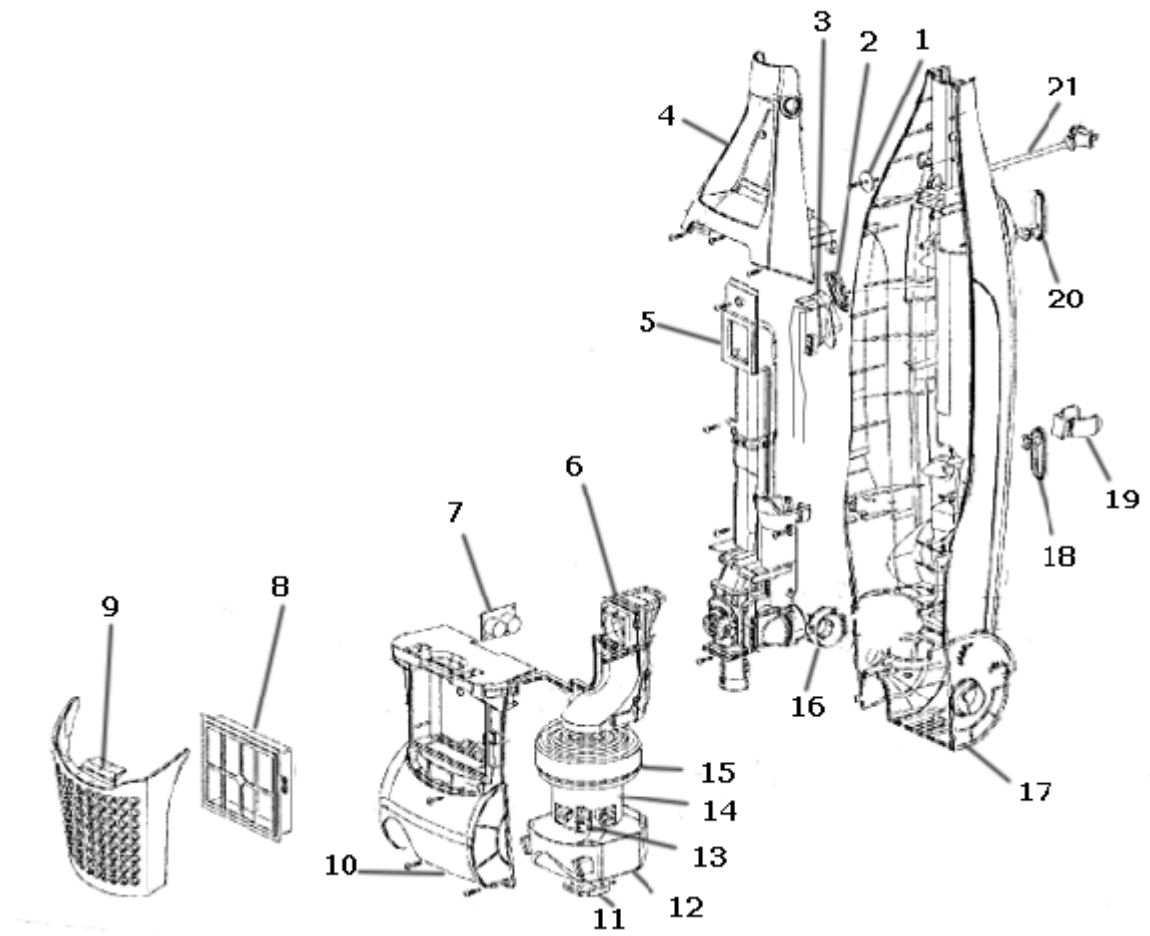
[Find Your Eureka Vacuum Cleaner Parts - Select From 853 Models](#)

----- Manual continues below -----



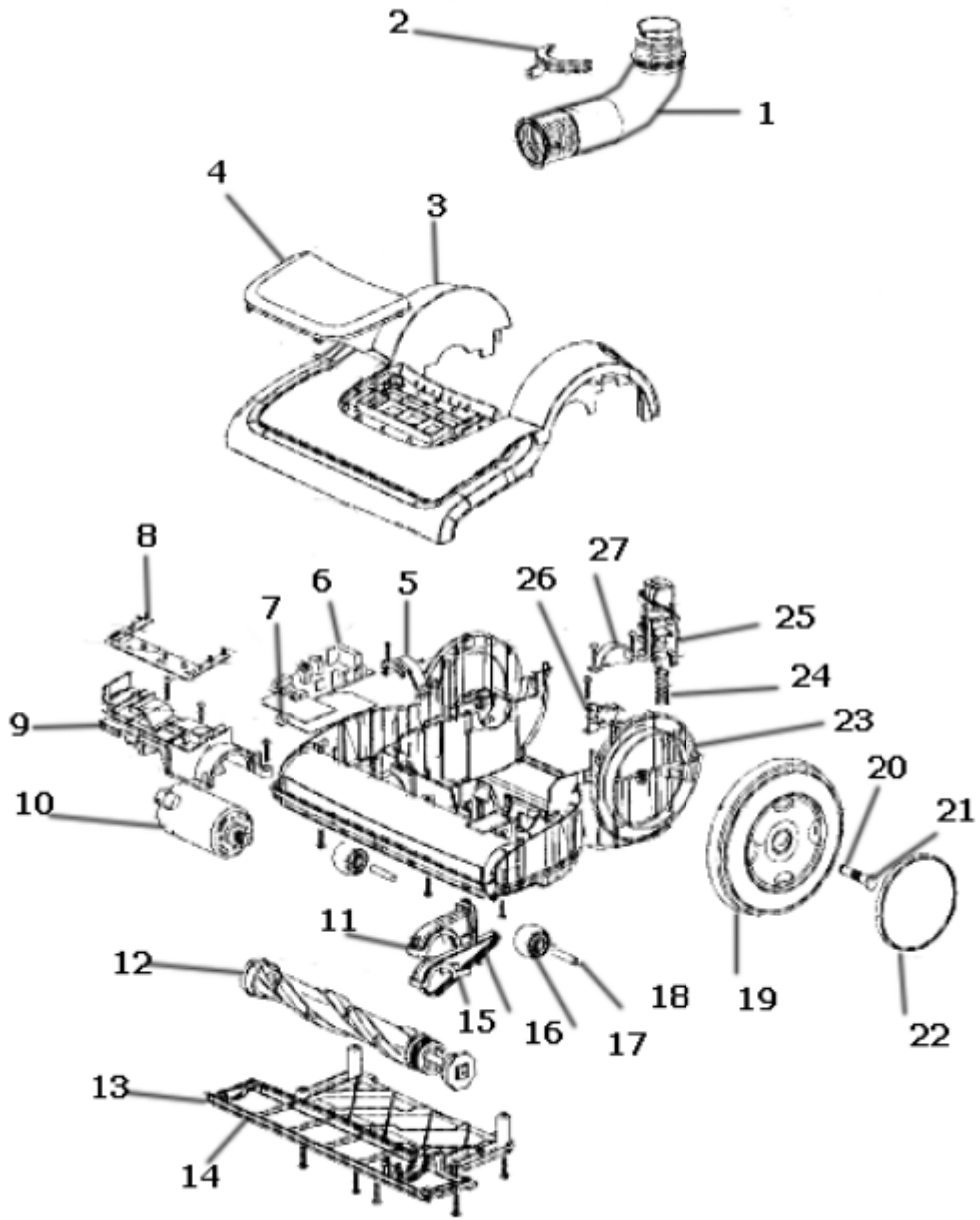
Handle & Accessories - EL8505A

Ref #	Part	Description	Comments	Qty
1	E-15890-2	HANDLE & HOSE ASSY - CART		
2	E-78936A			
3	E-79251-2	TURBO NOZZLE ASSEMBLY		
4	E-79270	BELT		
5	E-78519-366N	TOOL - CREVICE		
6	E-79976	OWNERS GUIDE		



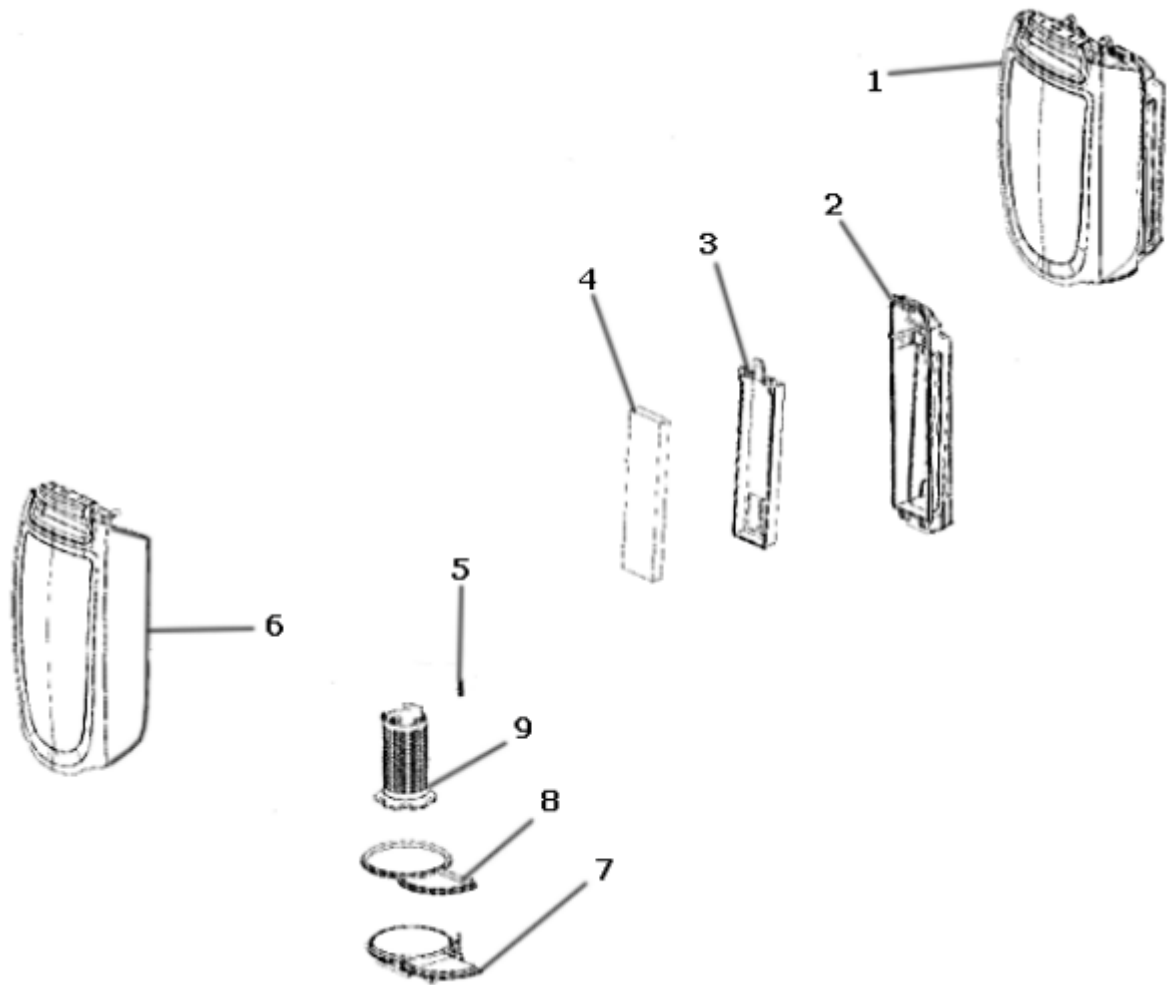
Main Body - EL8505A

Ref #	Part	Description	Comments	Qty
1	E-74178	WASHER - FIBER		
2	E-80345	SWITCH COVER & GRAPHICS A		
3	E-80376	SWITCH HOUSING ASSEMBLY		
4	E-80366-2	TOP COVER & BUCKLE ASSEMB		
5	E-79051-1	VALVE ASSEMBLY		
6	E-79050	AIR CHUTE ASSEMBLY		
7	E-78899	PCB - PRESSURE SENSOR		
8	E-39938-4	FILTER - "H" SERIES		
9	E-15895-2	FILTER COVER ASSY - PACKA		
10	E-15894-1	MOTOR COVER ASSY - PACKAG		
11	E-78901	GROMMET - MOTOR		
12	E-79465-119N	MOTOR SHROUD		
13				
14	E-15897-1	MOTOR ASSY - CARTONED		
15	E-79742	GASKET - MOTOR CAN		
16	E-79741-119N	COVER - SUCTION		
17	E-15893-2	REAR HOUSING ASSY - PACKA		
18	E-79070-1	QUICK CORD RELEASE ASSEMB		
19	E-79220-366N	LOWER HOSE HOOK		
20	E-79070-1	QUICK CORD RELEASE ASSEMB		
21	E-39584-25			



Base & Hood - EL8505A

Ref #	Part	Description	Comments	Qty
1	E-80375	BASE HOSE ASSEMBLY		
2	E-79084-119N	CLIP - BASE HOSE		
3	E-15891-2	HOOD & FURNIT GUARD ASSY-		
4	E-80306	DISPLAY PANEL ASSEMBLY		
5	E-79926-119N	CLAMP - BASE HOSE		
6	E-78532A	MAIN PC BOARD (US)		
7	E-80831	FIBER BOARD (ELECTRONICS)		
8	E-80794	PCB - DISPLAY		
9	E-78533-366N	COVER - BRUSHROLL MOTOR		
10	E-15899-1	BRUSHROLL MOTOR & PULLEY		
11	E-79094-366N	CAP - BELT		
12	E-15898-1	BRUSHROLL ASSY - CARTONED		
13	E-80350	SOLEPLATE ASSEMBLY		
14	E-79091	GASKET - SOLEPLATE		
15	E-81021	FELT - SOLEPLATE		
16	E-77133	BELT - POLY V		
17	E-80349	FRONT WHEEL ASSEMBLY		
18	E-79047	AXLE - FRONT WHEEL		
19	E-79044A			
20	E-54432-2	PACKAGE - RETAINING RING		
21				
22	E-78541-577P	CAP - HUB		
23	E-80378A-2			
24	E-79092	SPRING - HANDLE RELEASE		
25	E-80795-1	HANDLE RELEASE ASSEMBLY		
26	E-59397-8	MICRO SWITCH & BRACKET AS		
27	E-61614	CLAMP		



Dust Cup Assembly - EL8505A

Ref #	Part	Description	Comments	Qty
1	E-79027-2	CYCLONE ASSEMBLY		
2	E-80362-1	PRE-MOTOR FILTER COVER AS		
3	E-79941	FILTER FRAME ASSEMBLY		
4	E-79032	FILTER - FOAM		
5	E-15896-1	SPRING - PACKAGED		
6	E-80364-2	CYCLONE COVER ASSEMBLY		
7	E-78544-366N	LID - BOTTOM		
8	E-78892-366N	SEAL - BOTTOM LID		
9	E-78547-489N	SCREEN		