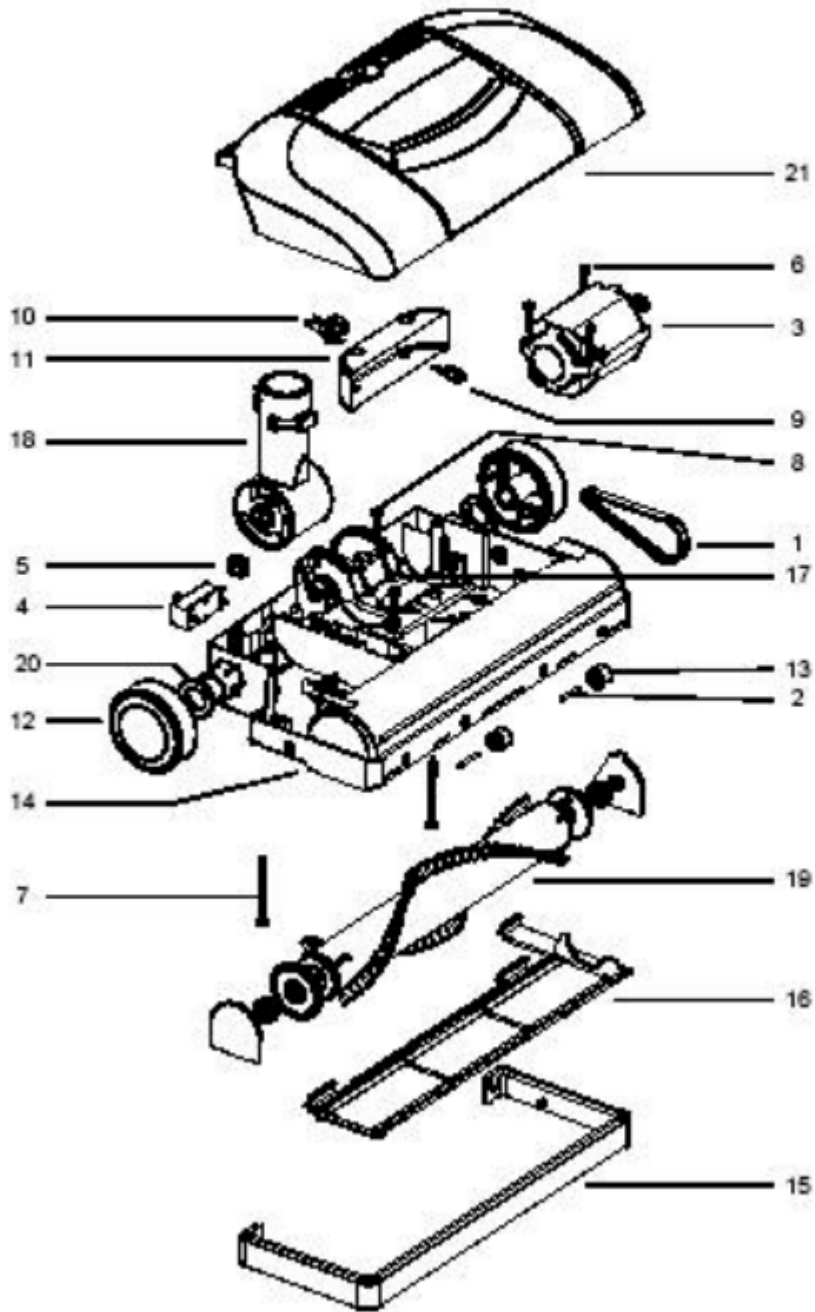


# EXL 1250

## 204022



## EXL1250 - 204022

Ref #	Part	Description	Comments	Qty
	E-155554	BELT - COGGED		
	E-155604	SHAFT: ROLR WHL		
	E-155209	MOTOR (UQ251200-81R10)		
	E-100424	CIRCUIT BREAKER		
	E-155318	CORD STRAIN RELIEF (53190-1)		
	E-160341	MOTOR ASSY SCREW		
	E-160342	HOOD ASSY SCREW		
	E-160343	SOCKET COVER SCREW		
	E-155211	HALOGEN LAMP (20 watt)		
	E-155212	LAMP HOLDER		
	E-155213	DEFLECTOR		
	E-155214	REAR WHEEL ASSY.		
	E-155215	ROLLER WHEEL		
	E-155216	BASE		
	E-155217	BUMPER		
	E-155218	BRUSHROLL COVER		
	E-155219	COVER SOCKET		
	E-155220	NECK GREY		
	E-155222A	BRUSH ROLL(ADVOCATE)		
	E-155621	FELT WASHER PREM/IMP		
	E-155223	Hood.		
	E-155224	WIRE:BLK W/TERMINALS	NOT ILLUSTRATED	
	E-155221	SOCKET:EZ CHANGE GRAY	NOT ILLUSTRATED	
	E-155210	POWERHEAD CORD	NOT LISTED	