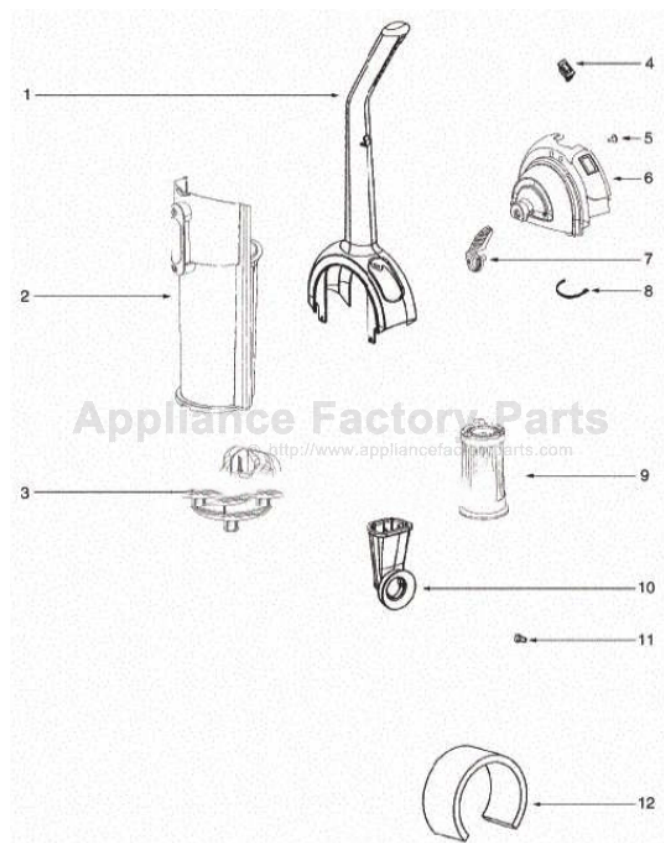


This Owner's Manual is provided and hosted by [Appliance Factory Parts](http://www.appliancefactoryparts.com).



Eureka HP5555A Owner's Manual

[Shop genuine replacement parts for Eureka HP5555A](#)



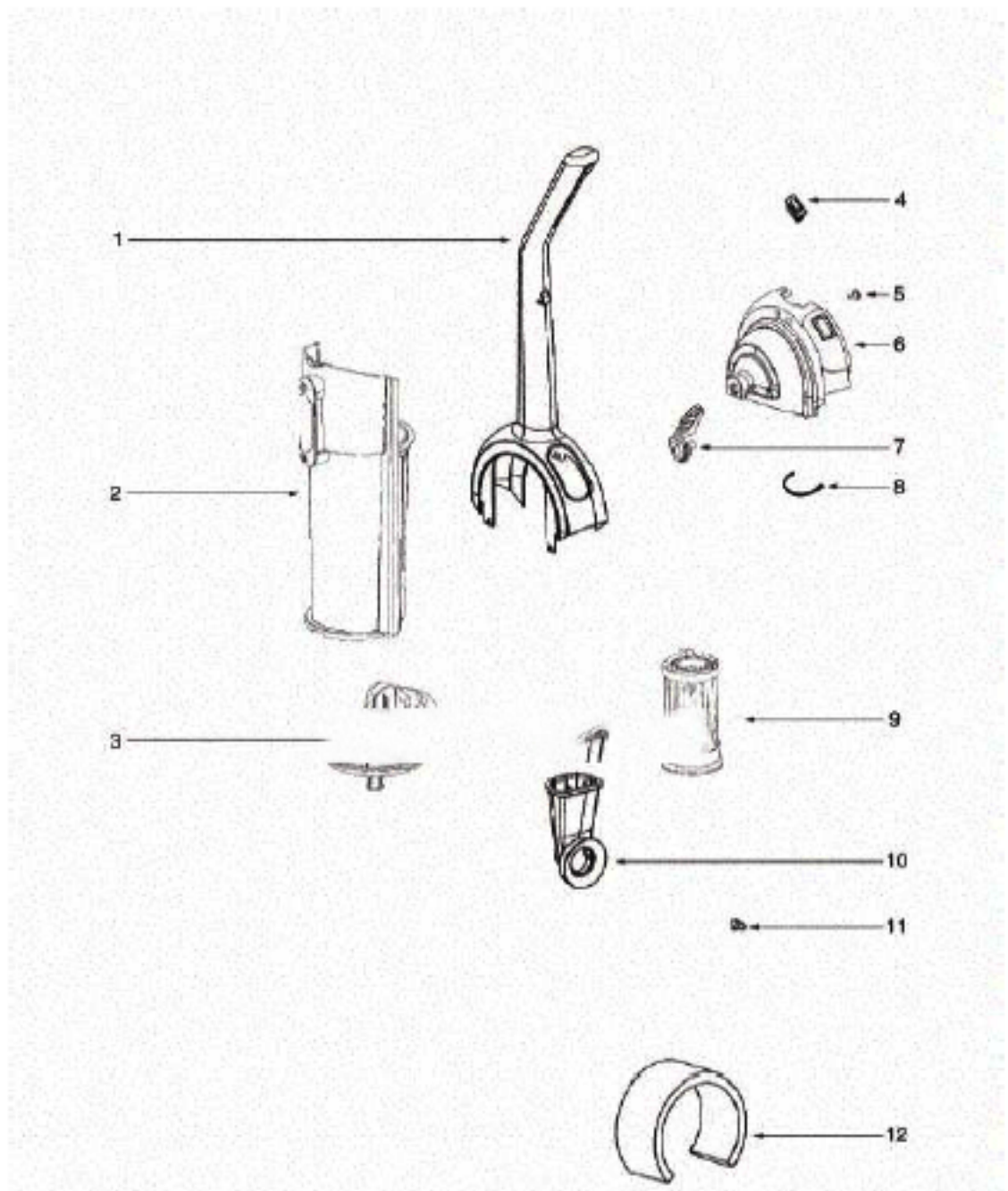
[Find Your Eureka Vacuum Cleaner Parts - Select From 855 Models](#)

----- Manual continues below part list -----

Available Replacement Parts for Eureka HP5555A

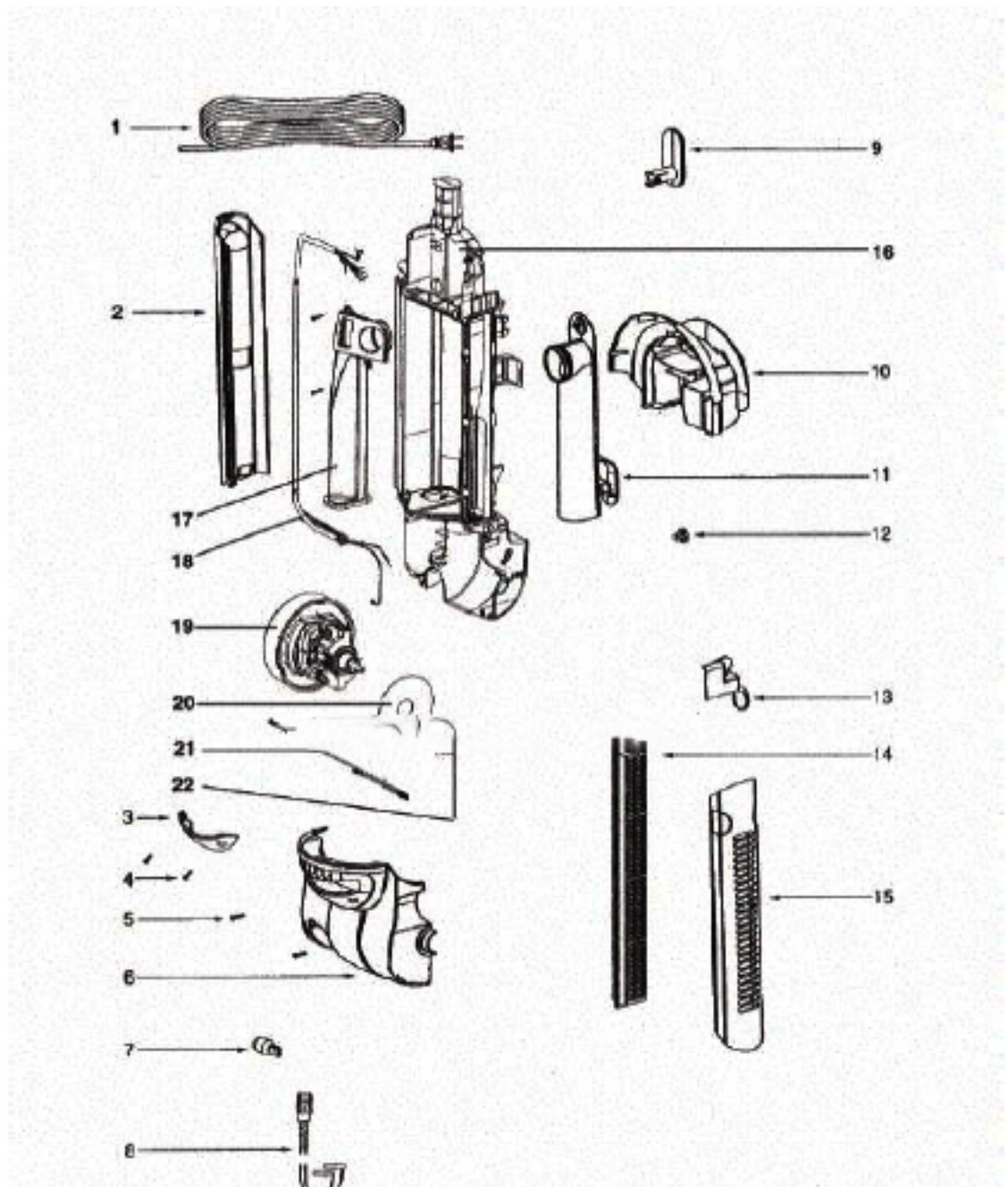
[e-39266](#)

BELT OEM EUREKA EXTENED LIFE 1 PACK



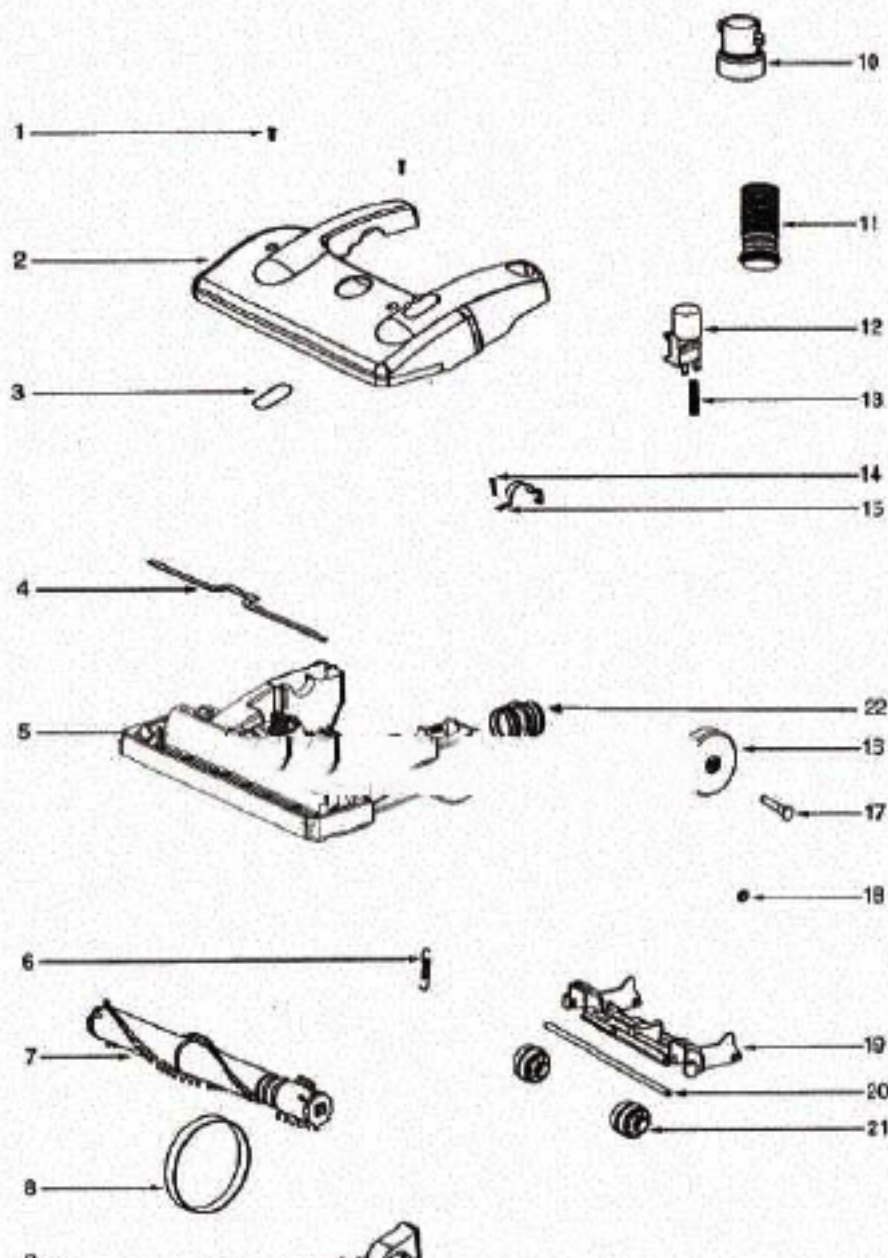
Handle and Dust Cup - HP5555A

Ref #	Part	Description	Comments	Qty
1	39435-1	HANDLE ASSEMBLY		
2	61542-1	DUST CUP ASSEMBLY - CARTO		
3	71152A-3	PLENUM ASSEMBLY		
4	39455-1	SWITCH - ROCKER		
5	60160	SCREW PACKAGE 10		
6	71116-3	TOP HOUSING ASSEMBLY	Includes items 5 & 7.	
7	39357-355N	LATCH		
8	46713-5	TIE - CABLE (PURCHASED)		
9	61700	DUST CUP FLTR (STYLEDCEf1)		
10	71114-1	AIR DUCT ASSEMBLY		
11	60192-1	WIRE SPLICE 5		
12	72224-1	FOAM - SOUND		



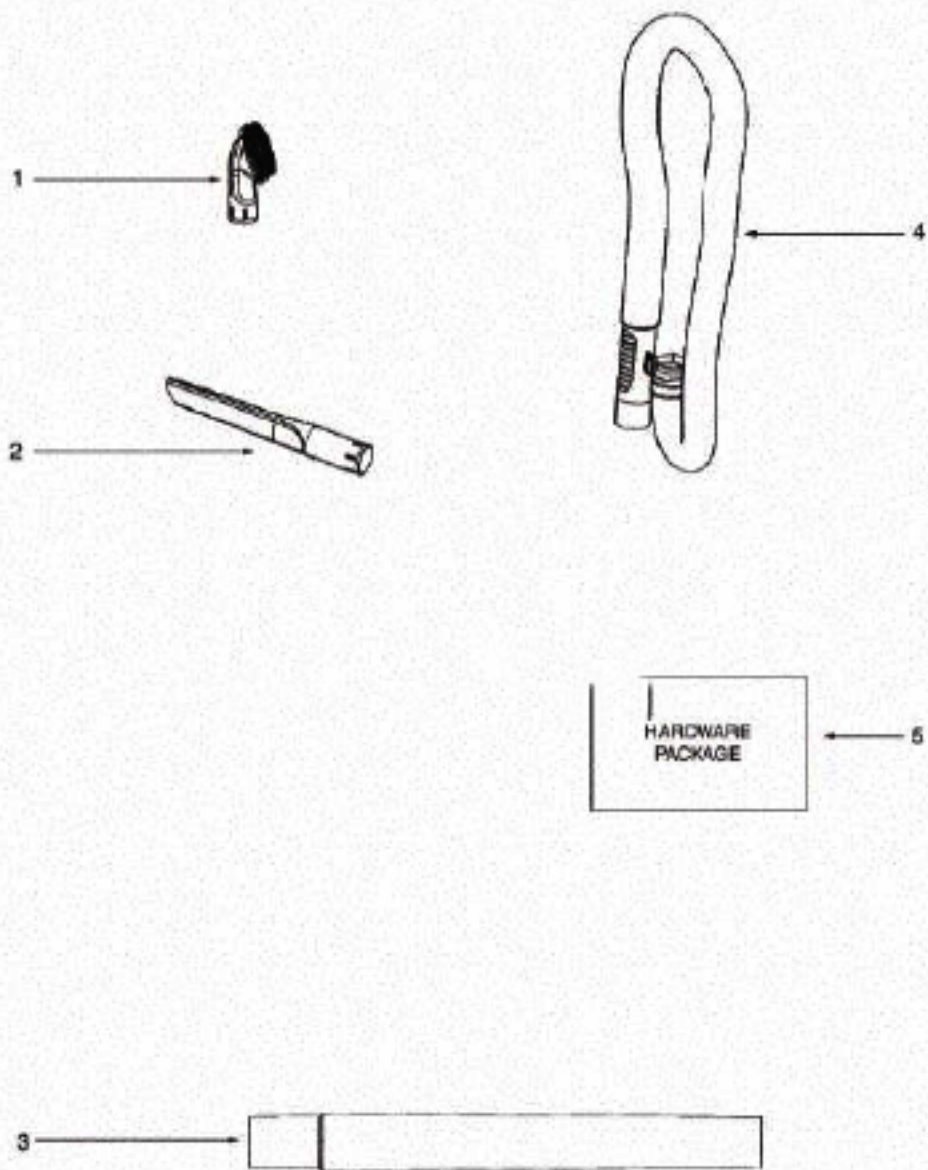
Main Body - HP5555A

Ref #	Part	Description	Comments	Qty
1	39585-4	SUPPLY CORD & TERMINAL AS		
2	15692-357N	HOUSING - EXTENSION TUBE		
3	28466A-313N	LENS - MOTOR COVER		
4	53238-8	SCREW PACKAGE	Pkg of 10	
5	53238-27	SCREW PACKAGE	Pkg of 10	
6	61438-4	MOTOR COVER ASSY - PACKAG		
7	57940-3	LAMP - HEADLIGHT		
8	38828B-4	HEADLIGHT ASSEMBLY		
9	70864A-119N	HOOK - CORD		
10	71113A-1	CARRY HANDLE ASSEMBLY	Includes item 9.	
11	61459-2	REAR AIR TUBE	Includes item 12.	
12	61448-1	FASTENER PACKAGE		
14	61984	HEPA FILTER - STYLE GE-1		
15	61461-5	FILTER COVER		
16	71149D-3	REAR HOUSING & CLIP ASSY		
17	28471-3	SUCTION TUBE & MANIFOLD A		
18	71237-2	UPPER CORD ASSEMBLY		
19	62376-1	MOTOR ASSEMBLY - CARTONED		
20	74584	SHIELD - MOTOR		
21	39252-9	THERMOSTAT & TERMINAL ASS		
22	27552B	GROMMET		
13	61457-2	RETAINER - HOSE		
	39356A-119N	CLIP - TOOL	Not illustrated.	
	71569-119N	CLIP - ADAPTER	Not illustrated.	
	73599	MOTOR SUPPORT - RUBBER		



Base Hood - HP5555A

Ref#	Part	Description	Comments	Qty
1	53238-44	SCREW PACKAGE		
2	71059A-4	HOOD ASSEMBLY	Includes item 3	
3	28469-313N	LENS - BELT VIEW		
4	58506-3	GASKET		
5	60938-8	BASE ASSEMBLY - PACKAGED	Includes items 6, 16, 17, 18, 19, 20, 21, 22, 23 & 24	
6	54943	SPRING PACKAGE	Pkg of 10	
7	62352-2	DISTURBULATOR ASSY - CART		
8	61120A	BELT PKG ASSY-STYLE U EXT		
9	54376-2	BELT CAP & GASKET - PACKA		
10	28496-119N	CUFF- HOSE		
11	38479-4	HOSE - COMPRESSION (PURCH		
12	28468-355N	RELEASE - HANDLE		
13	60133-1	COMPRESSION SPRING - PACK		
14	53238-27	SCREW PACKAGE	Pkg of 10	
15	38420-2	CLAMP		
16	61875	WHEEL/BUSHING PACKAGE		
17	38580A	AXLE - REAR		
18	54432-2	PACKAGE - RETAINING RING		
19	14993C-119N	CARRIAGE - WHEEL		
20	71551-1	FRONT AXLE		
21	39173A-119N	WHEEL - FRONT		
22	28243A-316N	ADAPTER - BASE		
23	28467A-355N	OPERATOR - HEIGHT ADJUSTM	Height Adjustment Knob (Not illustrated.)	
24	72113-1	BUSHING - AXLE	Not illustrated.	



Accessories - HP5555A

Ref #	Part	Description	Comments	Qty
1	60890-3	COMBINATION BRSH BRSTLD-C		
2	28497-355N	NOZZLE - CREVICE		
3	71119-1	EXTENSION TUBES ASSEMBLY		
4	61440-5	HOSE ASSEMBLY - CARTONED		
5	71118A	PACKAGE - HARDWARE		
	73657		Owner's Guide	