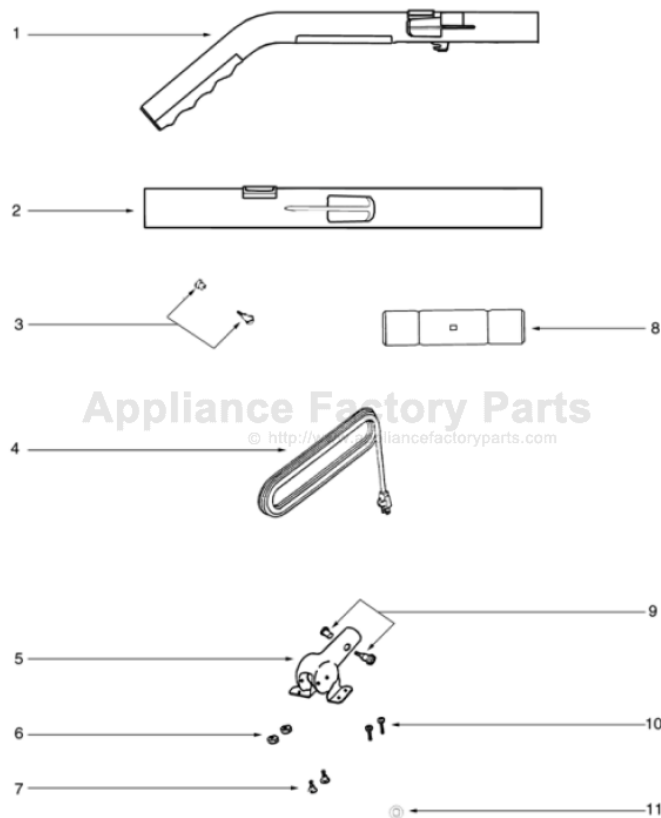


This Owner's Manual is provided and hosted by [Appliance Factory Parts](http://ApplianceFactoryParts.com).



SANITAIRE S634A Owner's Manual

[Shop genuine replacement parts for SANITAIRE S634A](#)



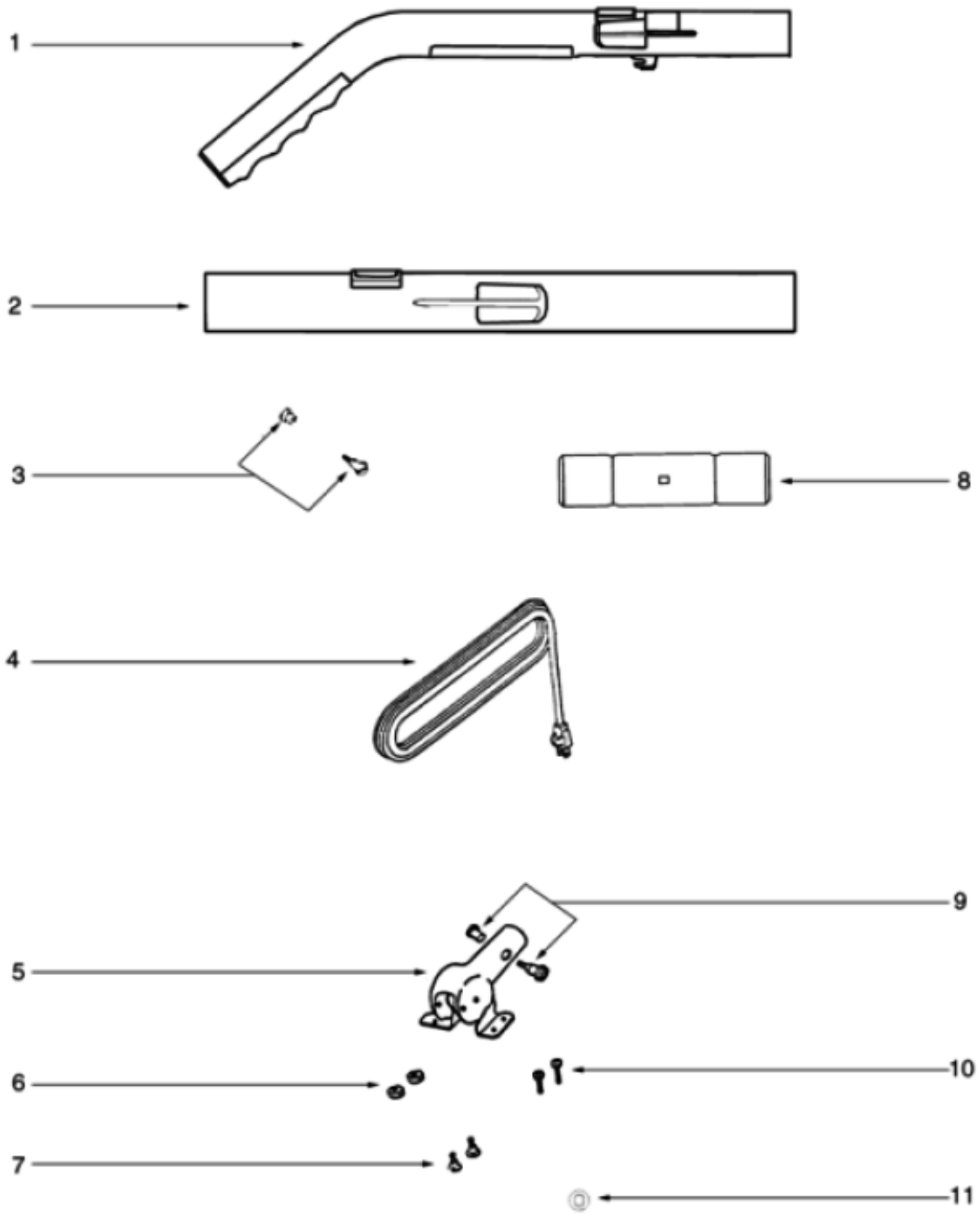
[Find Your SANITAIRE Vacuum Cleaner Parts - Select From 78 Models](#)

----- Manual continues below part list -----

Available Replacement Parts for SANITAIRE S634A

[E-52320](#)

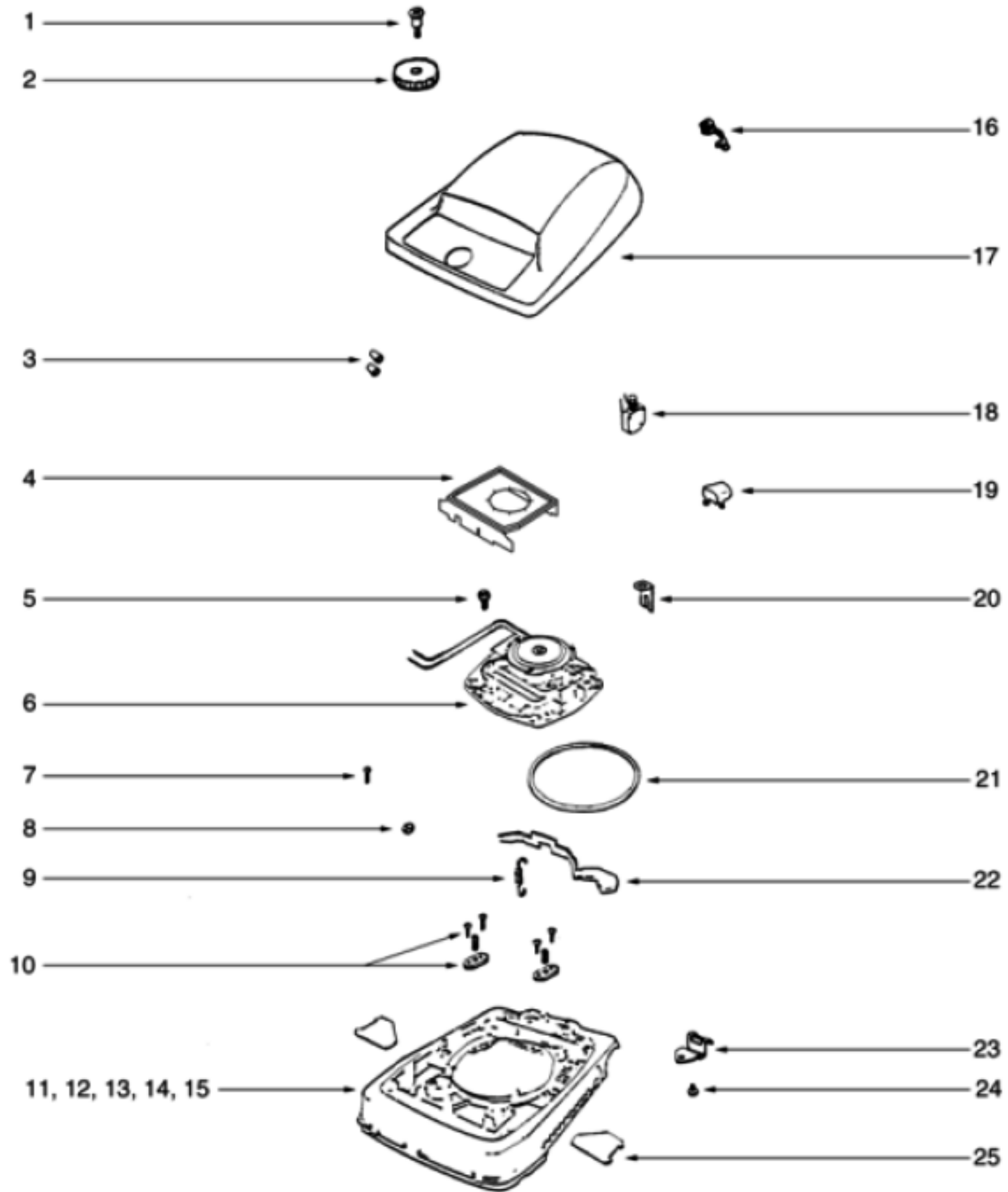
BAGS, PAPER OEM 3 PACK



HANDLE - S634A

Ref #	Part	Description	Comments	Qty
1	25989A-5	HANDLE ASSEMBLY (UPPER)		
2	36984-3	HANDLE ASSEMBLY - LOWER		
3	53198-1	HANDLE SCREW ASSY PACKAGE		
4	27382-10	CORD - LOW LEAD (18 GA)		
5	27137-2SV	HANDLE SOCKET ASSEMBLY		
6	53213-5	NUTS - PACKAGE 10		
7	53145	BOLT PACKAGE (10)		
8	25988-3	CONNECTOR - HANDLE TUBE		
9	53238-13	SCREW PACKAGE		
10	53080-4	PIN - SNAP PACKAGE (5)		

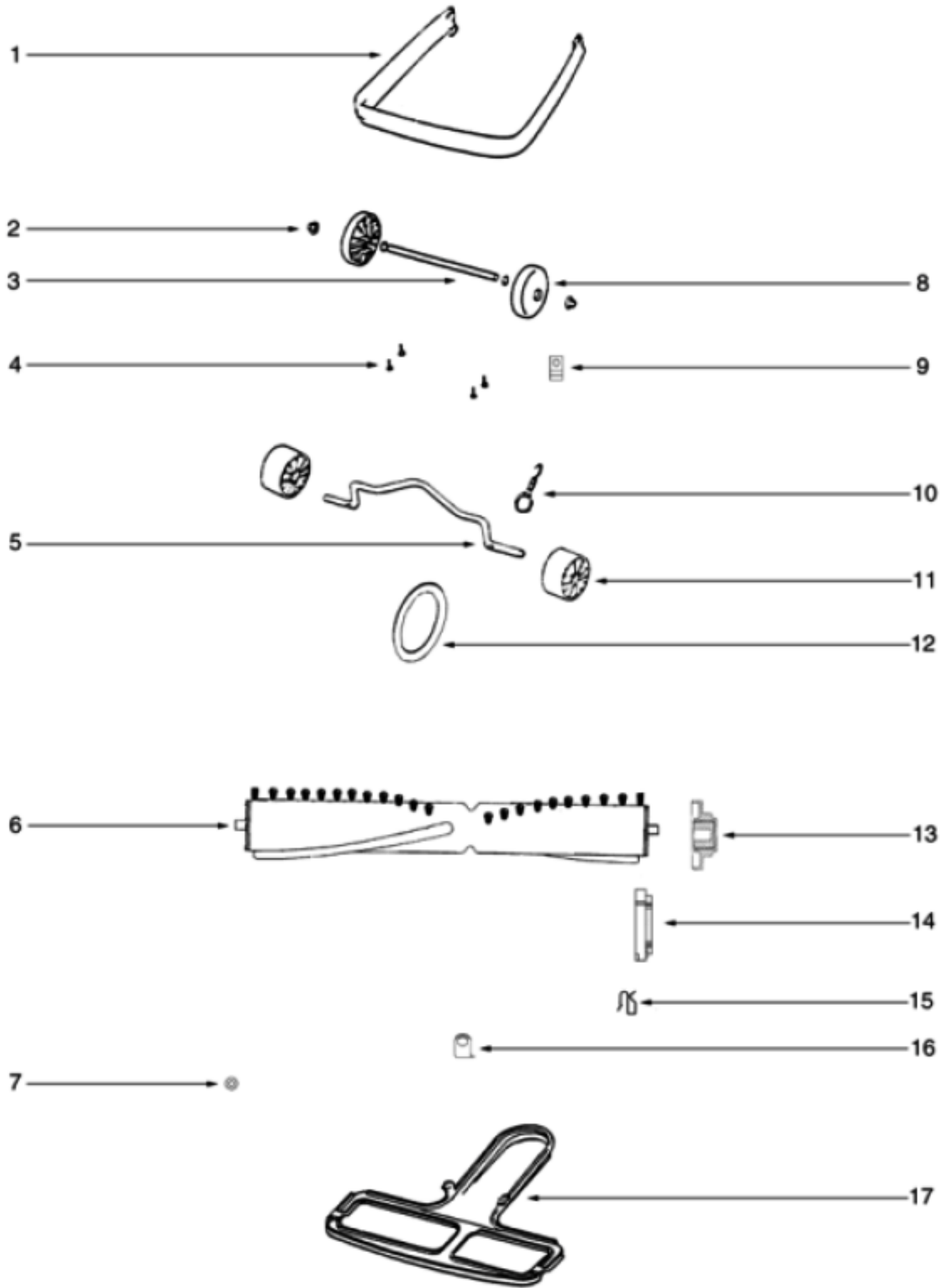
HOOD BASE - S634A



HOOD BASE - S634A

Ref #	Part	Description	Comments	Qty
1	53143	SCREW PACKAGE (10)		
2	38053-3	KNOB ASSEMBLY		
3	60192-1	WIRE SPLICE 5		
4	37676ASV	SEPARATOR ASSEMBLY		
5	53238-14	SCREW PACKAGE		
6	53349-7	MTR 1 SP 5.0 AM (53349-4)		
7	54669-2	SCREW PACKAGE		
8	53213-5	NUTS - PACKAGE 10		
9	53097	SPRING - FOOT PEDAL PKG (
10	53140	CLAMP & SCREW ASSY PKG		
11	54004-5	BASE ASSEMBLY - CARTONED		
12	24964A-1	CAM (RIGHT)		
13	24965A-1	CAM (LEFT)		
14	53118	RIVET - SHOULDER PACKAGE		
15	53133	STL WASHERS-PKG (48495 (NLA)		
16	53089-1	BUSHING & STRAIN RELIEF P		
17	54314-8	HOOD & GRAPHICS ASSY - PK		
18	13738-5	SWITCH ASSEMBLY		
19	26808-3	BUTTON - SWITCH		
20	37989	CLIP - SWITCH		
21	30517	GASKET - MOTOR SEAL		
22	24834A-3	PEDAL - FOOT		
23	37034	SPRING - ADAPT RETAINER		
24	53238-11	SCREW PACKAGE		
25	36263	COVER - WHEEL		

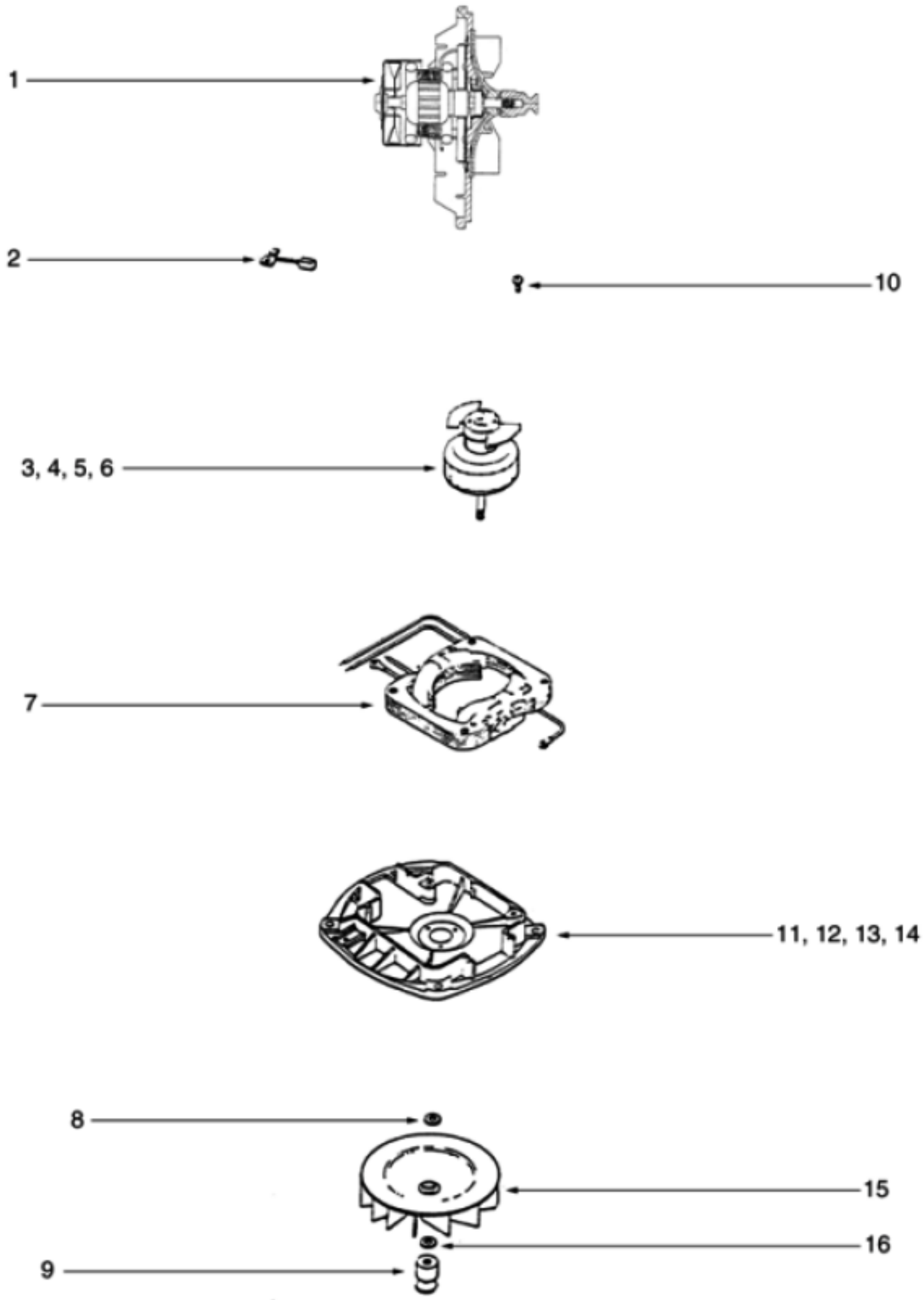
BRUSHROLL - S634A



BRUSHROLL - S634A

Ref #	Part	Description	Comments	Qty
1	36342-20	GUARD - FURNITURE		
2	53121	PUSH NUT PACKAGE (10)		
3	47562	AXLE - REAR		
4	53238-11	SCREW PACKAGE		
5	35947A	AXLE - FRONT		
6	54104-1	DISTURBULATOR REPLACEMENT		
7	54560	WASHER PACKAGE		
8	35858-2	WHEEL - REAR (35858- (NLA)		
9	53111	CLIP PACKAGE (5)		
10	53076-2	SPRING & AXLE PACKAGE (6)		
11	35859A-1	WHEEL - FRONT		
12	52100A	BELT PKG ASSY (UPRIGHT)		
13	38138	CAP & BEARING ASSEMBLY		
14	26059A	CAP - COVER		
15	55015	CLIP - WIRE		
16	37590-1	BRACKET - BUSHING		
17	25922-1	BOTTOM PLATE ASSEMBLY		

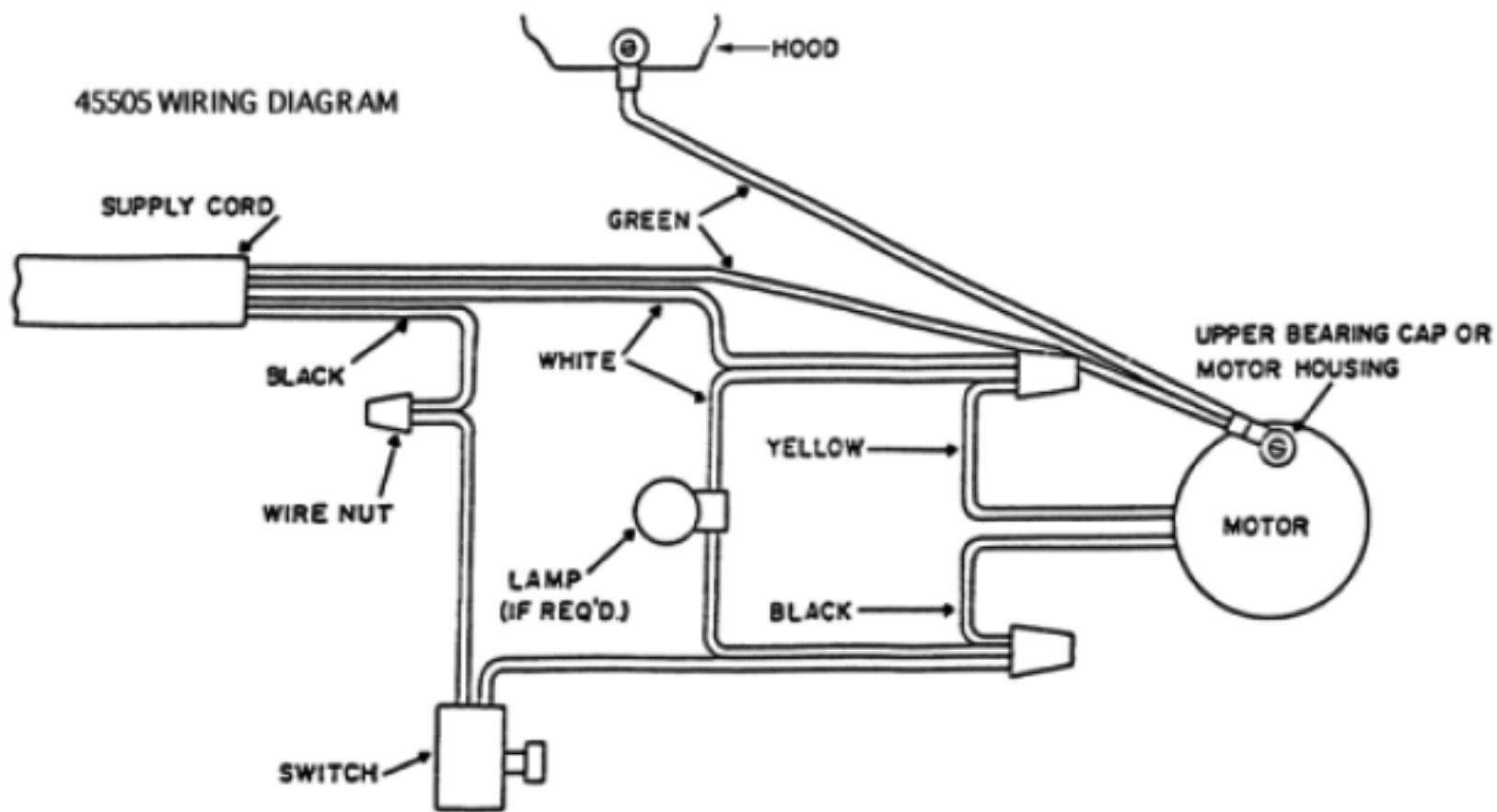
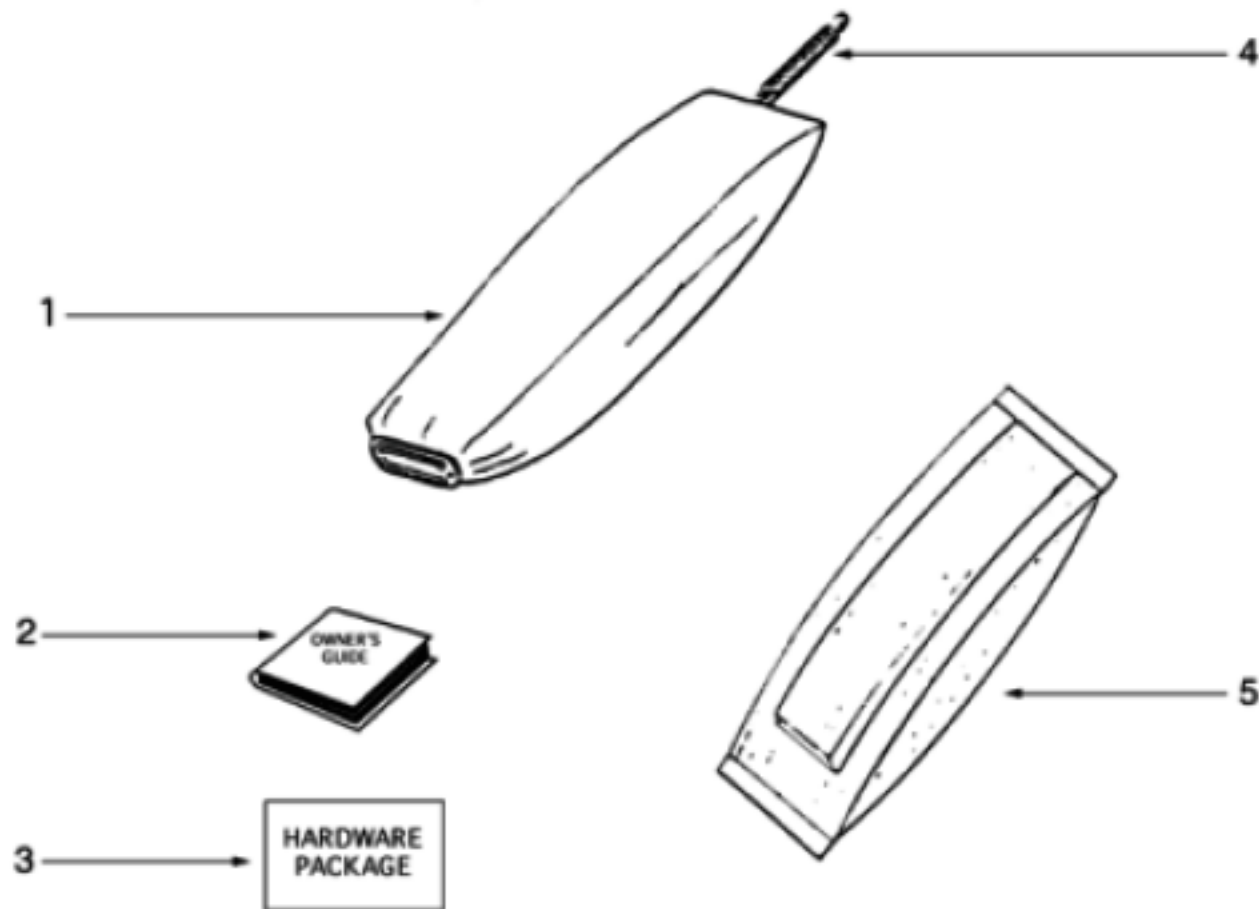
MOTOR - S634A



MOTOR - S634A

Ref #	Part	Description	Comments	Qty
1	53349-7	MTR 1 SP 5.0 AM (53349-4		
2	25172A-1	MOTOR BRUSH ASSEMBLY		
3	53470-3	ARMATURE - CARTONED		
4	53088-4	BALL BEARING PKG (53088- (NLA)		
5	26136	FAN		
6	54172	FAN END HSG		
7	26520-2SV			
8	53148	WASHER - FAN PACKAGE (10)		
9	49507-1	PULLEY - MOTOR D (49507		
10	53131-1	SCREW PACKAGE (10)		
11	54171-1	MOTOR BASE ASSEMBLY		
12	54412-1	BEARING RETAINER ASSY-W/L		
13	53187-1	RIVET PACKAGE		
14	12988-1	FAN BLOWER - MOTOR		
15	54811	FAN WASHER - PACKAGED		

BAG & WIRING DIAGRAM 45505 - S634A



BAG & WIRING DIAGRAM 45505 - S634A

Ref #	Part	Description	Comments	Qty
1	53977-29	BAG ASSEMBLY - PACKAGED		
2	71383			
3	57062B	HARDWARE PACKAGE		
4	47722	SPRING - BAG		
5	52320A	PAPER BAG PKG ASSY STYLE		