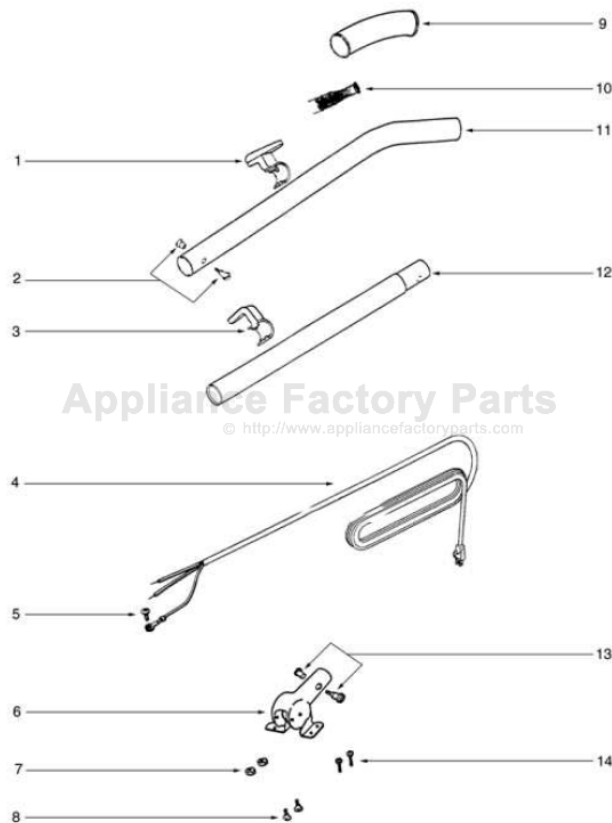


This Owner's Manual is provided and hosted by [Appliance Factory Parts](http://www.appliancefactoryparts.com).



SANITAIRE S647A Owner's Manual

[Shop genuine replacement parts for SANITAIRE S647A](#)

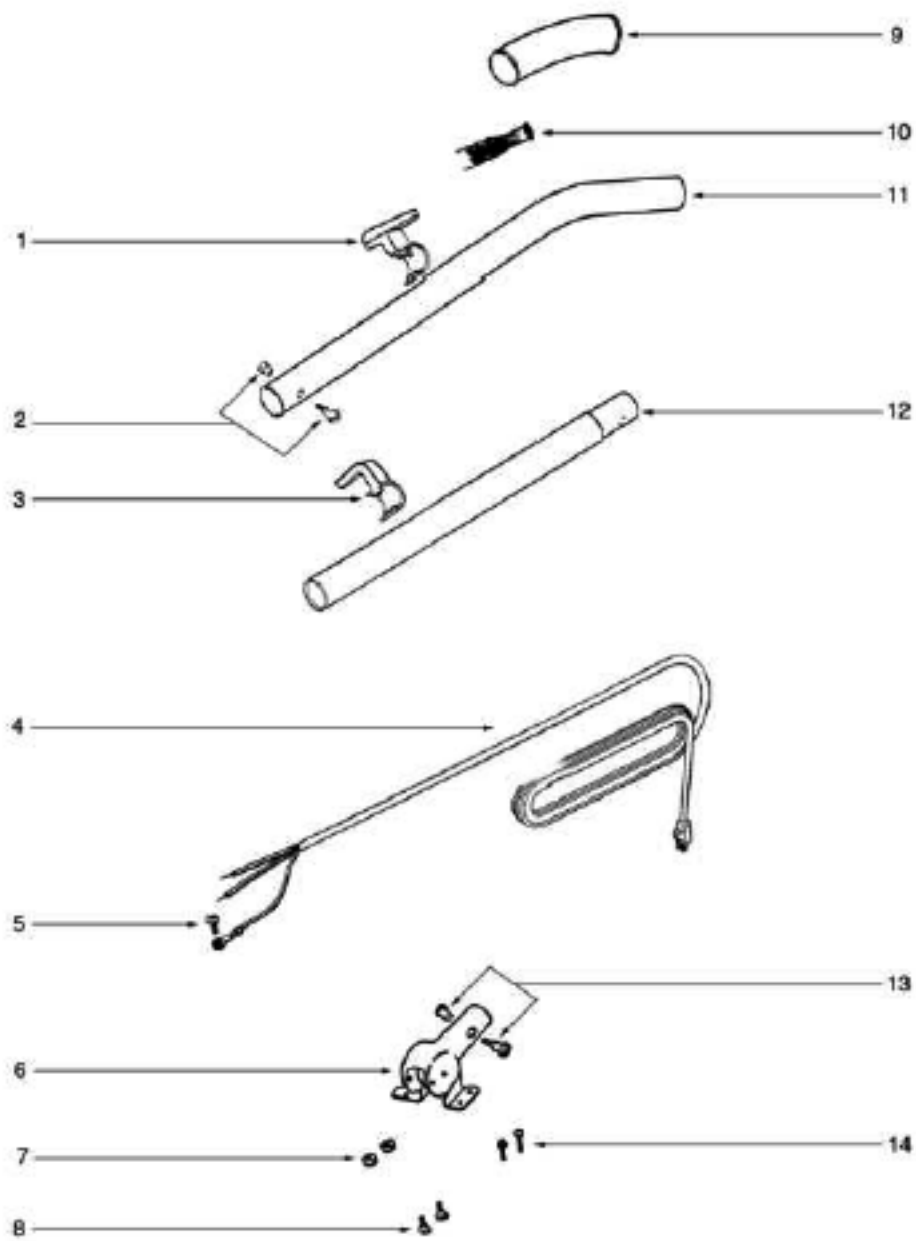


[Find Your SANITAIRE Vacuum Cleaner Parts - Select From 78 Models](#)

----- Manual continues below part list -----

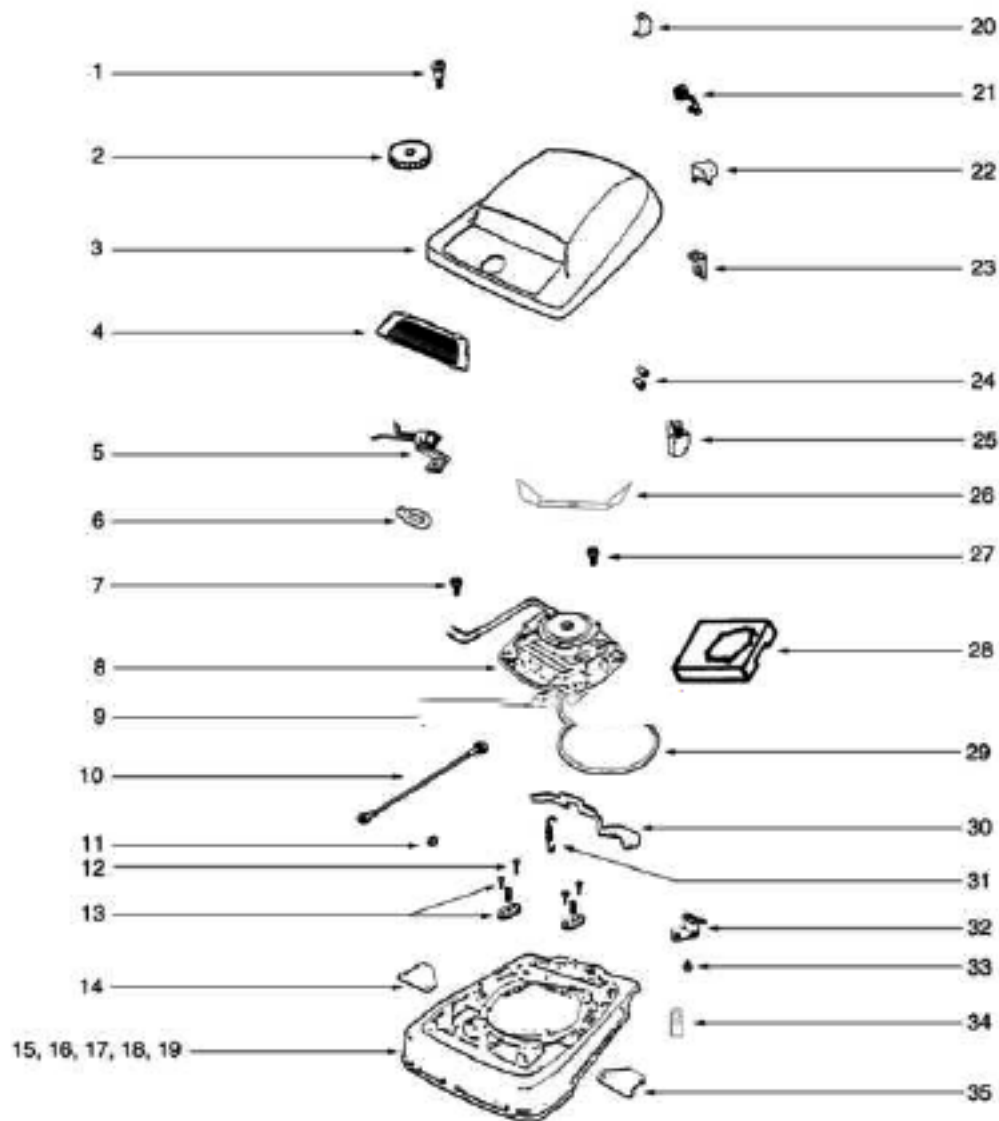
Available Replacement Parts for SANITAIRE S647A

53201	porcelain steel wire cooking grid
E-52320	BAGS, PAPER OEM 3 PACK
E-52282-4	Bristle strip Assy. Blue bristle VGII



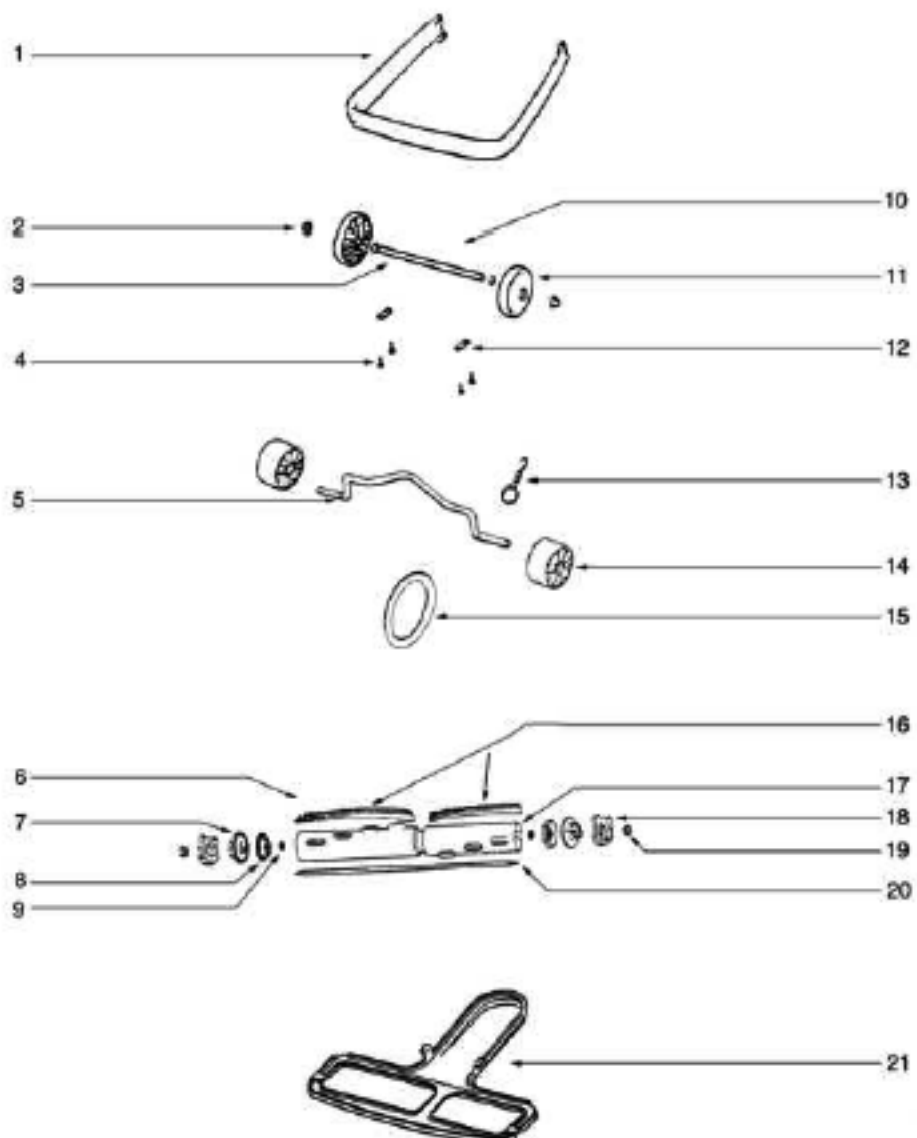
Handle - S647A

Ref #	Part	Description	Comments	Qty
1	36965-2	CORD RETAINER ASSY-BLACK		
2	53198-1	HANDLE SCREW ASSY PACKAGE		
3	13521-2	RETAINER - CORD (LOWER)		
4	27382-10	CORD - LOW LEAD (18 GA)		
5	53238-13	SCREW PACKAGE		
6	38183-1SV	HANDLE SOCKET ASSEMBLY		
7	53213-5	NUTS - PACKAGE 10		
8	53145	BOLT PACKAGE (10)		
9	25103A-4	GRIP - HANDLE		
10	53077	SPRING - STRAIN RELIEF PK		
11	26176-4	HANDLE ASSEMBLY (UPPER)		
12	12637-8	TUBE - HANDLE (LOWER)		



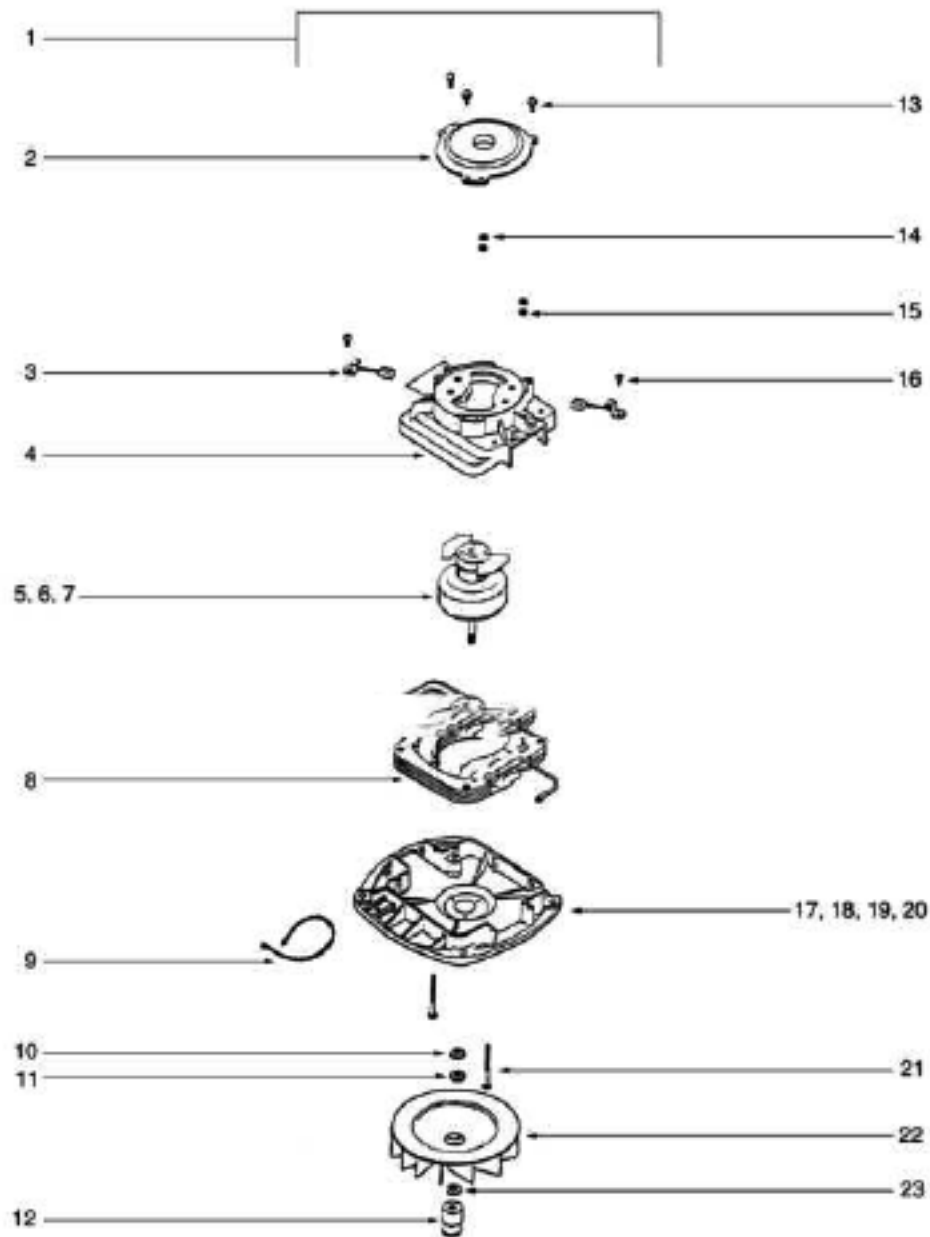
Base/Hood - S647A

Ref #	Part	Description	Comments	Qty
1	53143	SCREW PACKAGE (10)		
2	38053-2	KNOB ASSEMBLY		
3	54314-9	HOOD & GRAPHICS ASSY - PK		
4	14193-1	LENS - HOOD		
5	35958A	HEADLAMP SOCKET ASSEMBLY		
6	40009A	LAMP - HEADLIGHT		
7	53238-14	SCREW PACKAGE		
8	54352-3	MOTOR ASSEMBLY - PACKAGED		
9	53228-2	SCREWS - PACKAGE 10		
10	55296	WIRE & TERMINAL ASSEMBLY		
11	53213-5	NUTS - PACKAGE 10		
12	53238-13	SCREW PACKAGE		
13	53140	CLAMP & SCREW ASSY PKG		
14	36263	COVER - WHEEL		
15	54408-7	BASE ASSEMBLY - 12" - CAR		
16	24964A-1	CAM (RIGHT)		
17	24965A-1	CAM (LEFT)		
18	53118	RIVET - SHOULDER PACKAGE		
19	53133	STEEL WASHERS - PACKAGE 1		
20	37590-1	BRACKET - BUSHING		
21	53089-1	BUSHING & STRAIN RELIEF P		
22	26908-3	BUTTON - SWITCH		
23	37989	CLIP - SWITCH		
24	60192-1	WIRE SPLICE 5		
25	13738-5	SWITCH ASSEMBLY		
26	71146	SHIELD - LIGHT		
27	38067SV	SEPARATOR ASSEMBLY		
28	30517	GASKET - MOTOR SEAL		
29	24834A-3	PEDAL - FOOT		
30	53097	SPRING - FOOT PEDAL PKG (
31	37034	SPRING - ADAPT RETAINER		
32	53238-11	SCREW PACKAGE		
33	53160	CABLE CLAMP PACKAGE		



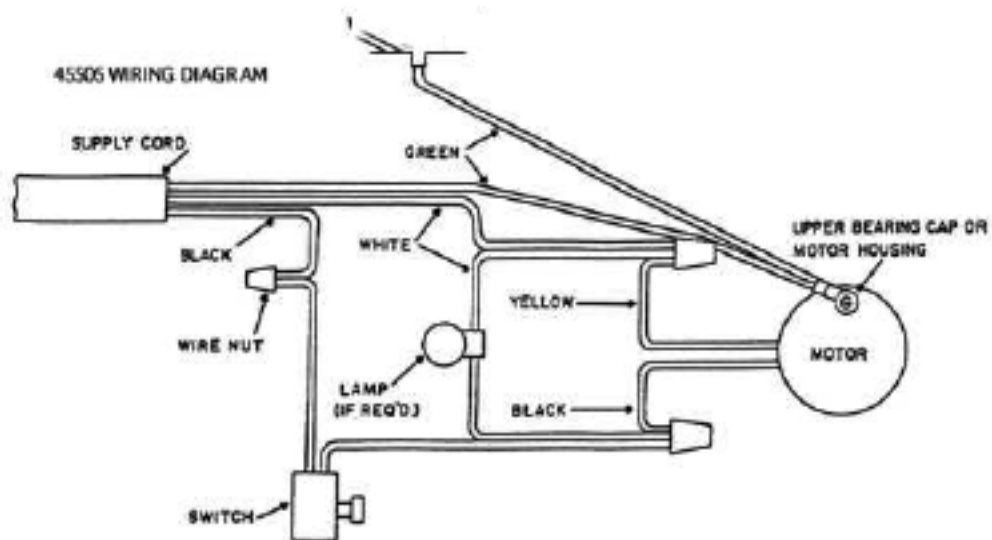
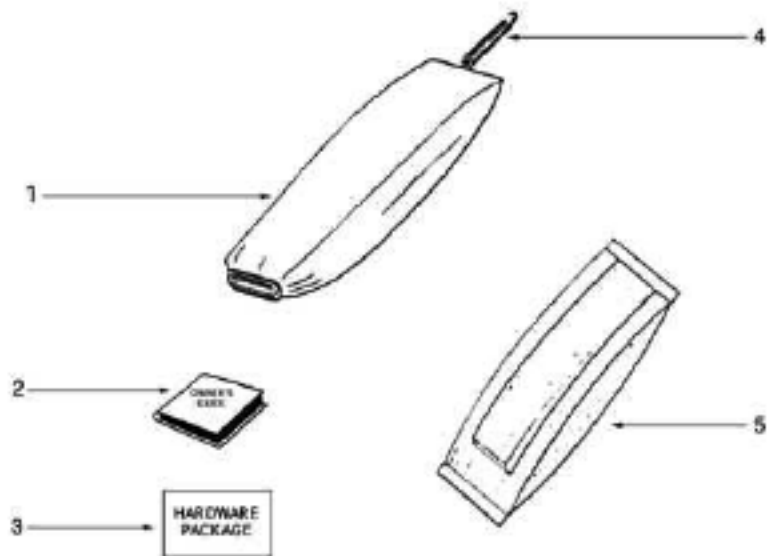
Furniture Guard/Brush Roll - S647A

Ref #	Part	Description	Comments	Qty
1	26296-18	GUARD - FURNITURE		
2	53121	PUSH NUT PACKAGE (10)		
3	37183	AXLE - REAR		
4	53238-11	SCREW PACKAGE		
5	35947A	AXLE - FRONT		
6	53270	DISTURBULATOR ASSEMBLY		
7	26057A	CAP - DISTURBULATOR		
8	54256	BEARING & RETAINER ASSEMB		
9	53184	KLIPRING PACKAGE		
10	60161	WHEEL & AXLE ASSY		
11	26242-119N	WHEEL - REAR		
12	53201	CLAMPS - PACKAGE 10		
13	53076-2	SPRING & AXLE PACKAGE (6)		
14	35859A-1	WHEEL - FRONT		
15	52100A	BELT PKG ASSY (UPRIGHT)		
16	52282-4	BRISTLE STRIP PACKAGE		
17	26059A	CAP - COVER		
18	53158	LOCK NUT PACKAGE		
19	25922-1	BOTTOM PLATE ASSEMBLY		



Motor - S647A

Ref #	Part	Description	Comments	Qty
1	54352-3	MOTOR ASSEMBLY - PACKAGED		
2	20217E	RETAINER - UPPER BEARING		
3	30478	MOTOR BRUSH ASSEMBLY		
4	54396	MOTOR COVER ASSEMBLY - LA		
5	54425-3	KIT - ARMATURE REPLACEMENT		
6	53088-5	BALL BEARING - PACKAGE		
7	30474A	FAN - MOTOR COOLING		
8	53441-2	FIELD ASSEMBLY - PACKAGED		
9	46713-1	TIE - CABLE (PURCHASED)		
10	54811	FAN WASHER - PACKAGED		
11	53148	WASHER - FAN PACKAGE (10)		
12	37012-2	PULLEY - MOTOR DRIVE		
13	53138	SCREWS - PACKAGE 10		
14	56817	NUT - HEX 8-32		
15	53222-4	LOCKWASHERS - PACKAGE 10		
16	53219-2	SCREWS - PACKAGE 10		
17	54169-1	MOTOR BASE ASSEMBLY		
18	53187-1	RIVET PACKAGE		
19	53142	SCREW PACKAGE (10)		
20	12988	FAN BLOWER - MOTOR		



Bag/Wiring Diagram - S647A

Ref #	Part	Description	Comments	Qty
1	53977-29	BAG ASSEMBLY - PACKAGED		
2	57825A	OWNER'S GUIDE		
3	55332A	HARDWARE PACKAGE		
4	47722	SPRING - BAG		
5	52320A	PAPER BAG PKG ASSY STYLE		