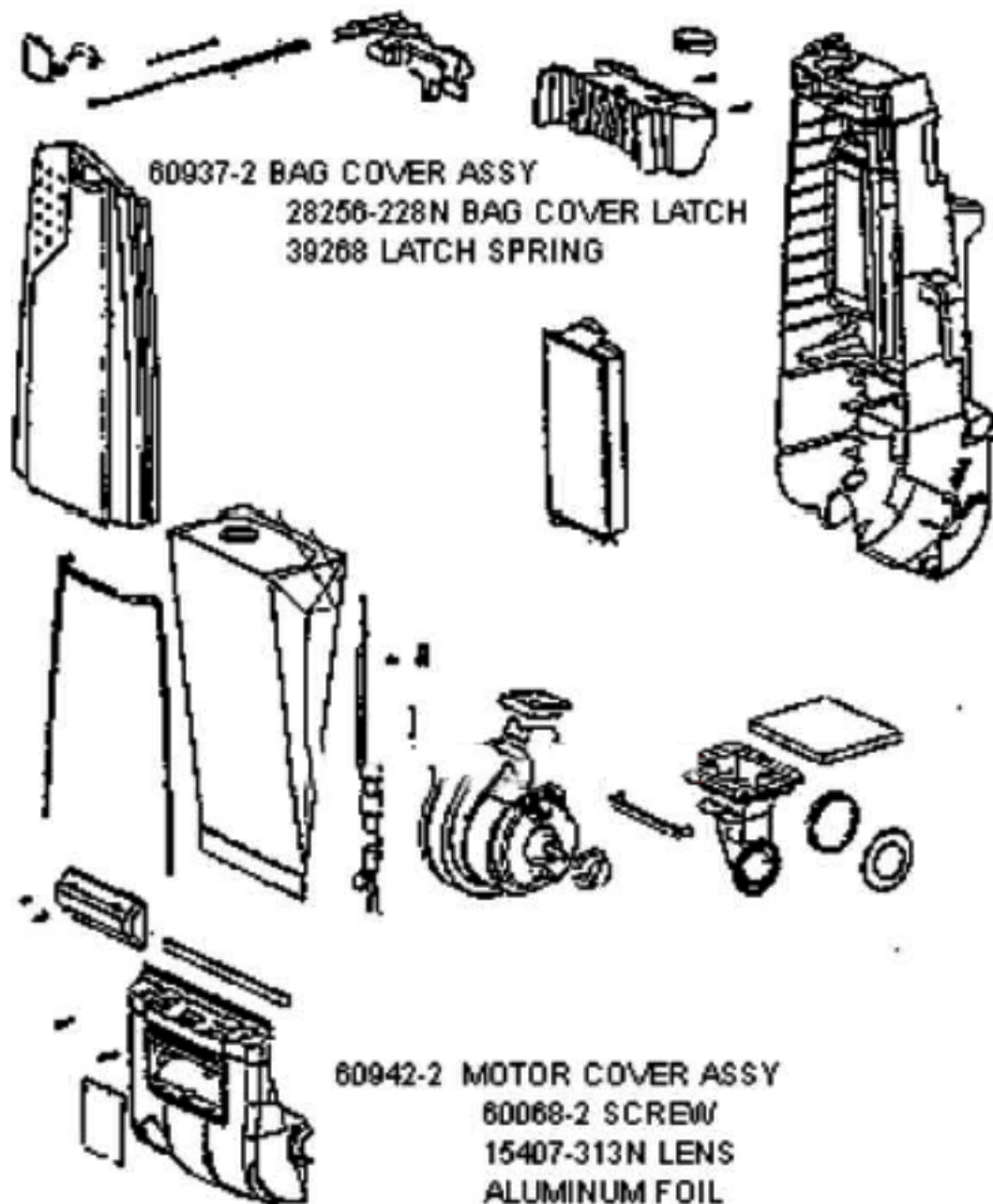
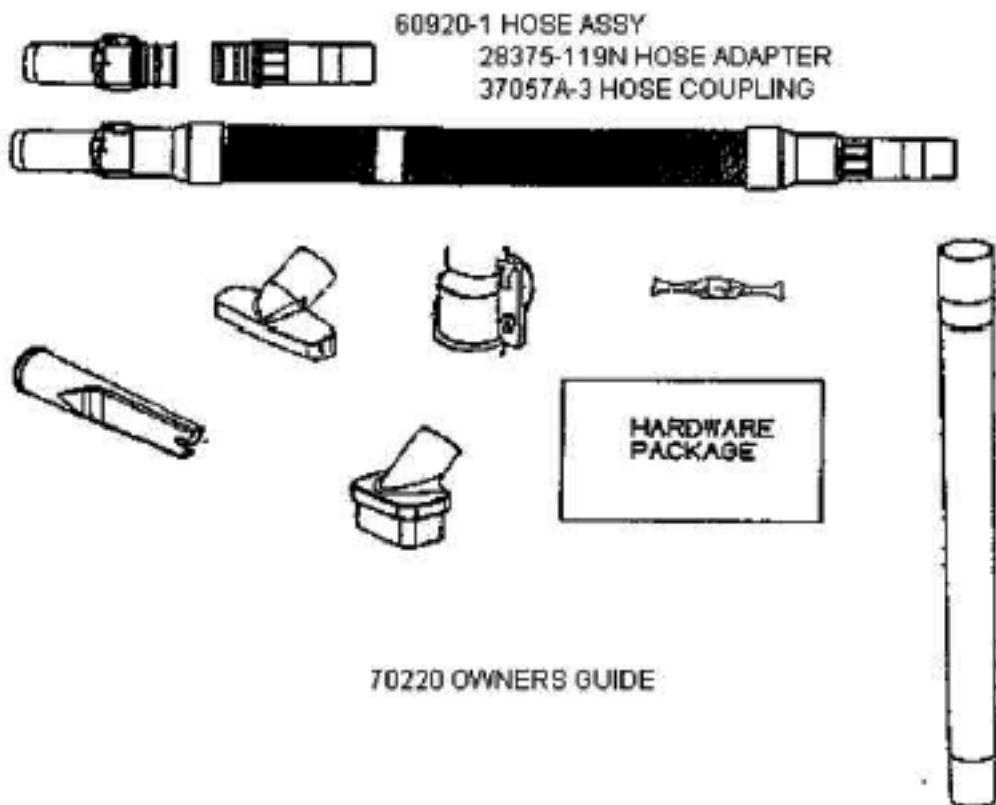


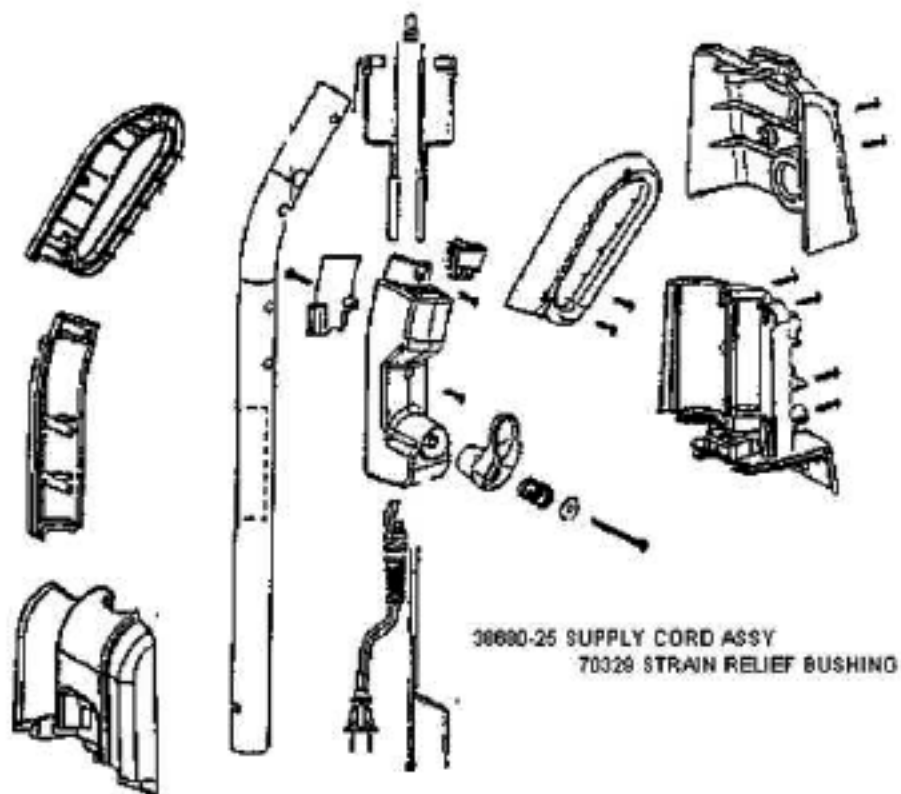
Ref #	Part	Description	Comments	Qty
1	14993B-119N	CARRIAGE - WHEEL		
2	15591-288N	GUARD - FURNITURE		
3	27462B-288N	OPERATOR - HEIGHT ADJUSTM		
4	27467-288N	RELEASE - HANDLE		
5	27468C-119N	CUFF - HOSE		
6	28243-316N	ADAPTER - BASE		
7	38420-2	CLAMP		
8	38479-4	HOSE - COMPRESSION (PURCH		
9	38590	AXLE - REAR		
10	39173-119N	WHEEL - FRONT		
11	39260-288N	WHEEL - REAR		
12	53197-1	SCREW PACKAGE		
13	54312	BELT PACKAGE ASSEMBLY (U)		
14	54376-2	BELT CAP & GASKET - PACKA		
15	54432	PACKAGE - RETAINING RING		
16	54943	SPRING PACKAGE		
17	57569	GASKET - FELT		
18	58206-1	AXLE - WHEEL		
19	58506-3	GASKET		
20	60133	COMPRESSION SPRING - PACK		
21	60249-2	HOOD ASSEMBLY - PACKAGED		
22	60909-1	DISTURBULATOR ASSY - CART		
23	60938-1	BASE ASSEMBLY - PACKAGED		
24	60939	QUARTER TURN RECEPTACLE -		
25	60940	QUARTER TURN FASTENER - P		
26	60941	QUARTER TURN RETAINER - P		



Ref #	Part	Description	Comments	Qty
1	15407-313N	LENS - MOTOR COVER		
2	15408A-119N	DUCT - AIR		
3	15443A-119N	TOOL CADDY		
4	27171A	GASKET		
5	27552B	GROMMET		
6	28256-288N	LATCH - BAG COVER		
7	28290-333N	RETAINER - FLANGE		
8	38611	HEADLAMP SCRT & TERMINAL		
9	38613	GASKET		
10	39023	FLANGE - MOTOR INTAKE		
11	39252-1	THERMOSTAT & TERMINAL ASS		
12	39268	SPRING - LATCH		
13	39292	FILTER - PRE-MOTOR		
14	46713-5	TIE - CABLE		
15	48815	LAMP - HEADLIGHT		
16	53197-1	SCREW PACKAGE		
17	58505	GASKET - BAG COVER		
18	58623	PAPER BAG PKG FA (STYLE A		
19	59137	GASKET - MOTOR EXHAUST		
20	59297SV	GASKET - AIR DUCT		
21	59361A	ADAPTER - TUBE		
22	59362B	TUBE		
23	60068-2	SCREW PACKAGE		
24	60192-1	WIRE SPLICE 5		
25	60285	HEPA FILTER PACKAGE		
26	60613	PUSH ON NUT PKG		
27	60625-4	HEPA MOTOR & SHROUD ASSY		
28	60937-2	BAG COVER ASSEMBLY - PKGD		
29	60942-2	MOTOR COVER ASSEMBLY - PK		
30	60944-1	REAR HOUSING - PACKAGED		
31	70133-119N	BUSHING - TOOL CADDY		



Ref #	Part	Description	Comments	Qty
1	25708-119N	TOOL - CREVICE		
2	28375-119N	ADAPTER - HOSE		
3	37057A-3	COUPLING - HOSE		
4	38284-3	UPHOLSTERY NOZZLE ASSEMBL		
5	39152A-168N	PLATE - HOOK		
6	39231-1	STRAP - HOSE		
7	60290-1	DUSTING BRUSH - PACKAGED		
	60424	TELESCOPIC WAND ASSEMBLY		
9	60424-1	TELESCOPIC WAND ASSEMBLY		
10	60920-1	HOSE ASSEMBLY - CARTONED		
11	70124	PRG - HARDWARE		



38600-25 SUPPLY CORD ASSY
70329 STRAIN RELIEF BUSHING

Ref #	Part	Description	Comments	Qty
1	02349-288N	HOUSING - SWITCH (RH)		
2	15533-335N	HOUSING - FRONT HANDLE		
3	15534-119N	HOUSING - REAR HANDLE		
4	15580	HANDLE - STEEL		
5	15581-119N	COVER - HANDLE		
6	15596-288N	GRIP - LEFT HANDLE		
7	15597-288N	GRIP - RIGHT HANDLE		
8	28011-2	UPPER CORD ASSEMBLY		
9	28305	SWITCH - ROCKER		
10	28316-288N	RETAINER - CORD		
11	38680-25	SUPPLY CORD & TERMINAL AS		
12	53197-1	SCREW PACKAGE		
13	53238-18	SCREW PACKAGE		
14	59741-316N	SHIELD - WIRING		
15	60192-1	WIRE SPLICE 5		
16	60945	SPRING - PACKAGED		
17	60946	WASHER - PACKAGED		
18	60947	SCREWS - PACKAGED		
19	70329	BUSHING - STRAIN RELIEF		