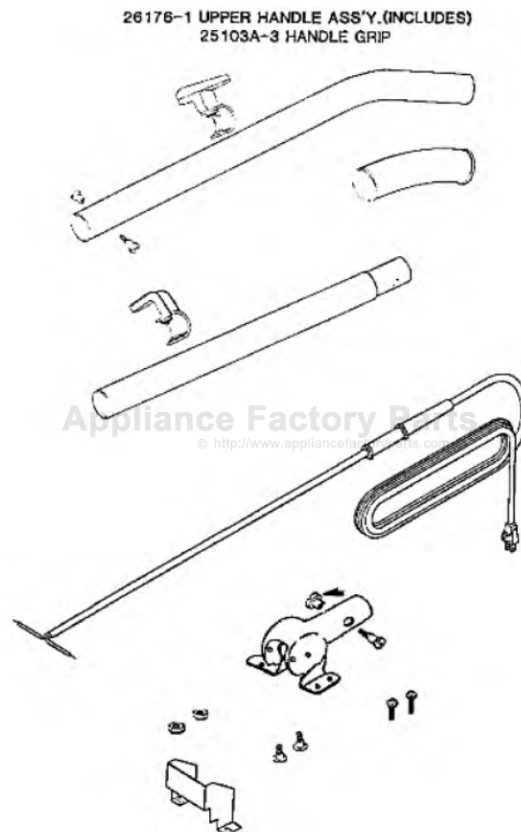


This Owner's Manual is provided and hosted by [Appliance Factory Parts](http://www.appliancefactoryparts.com).



SANITAIRE S654 Owner's Manual

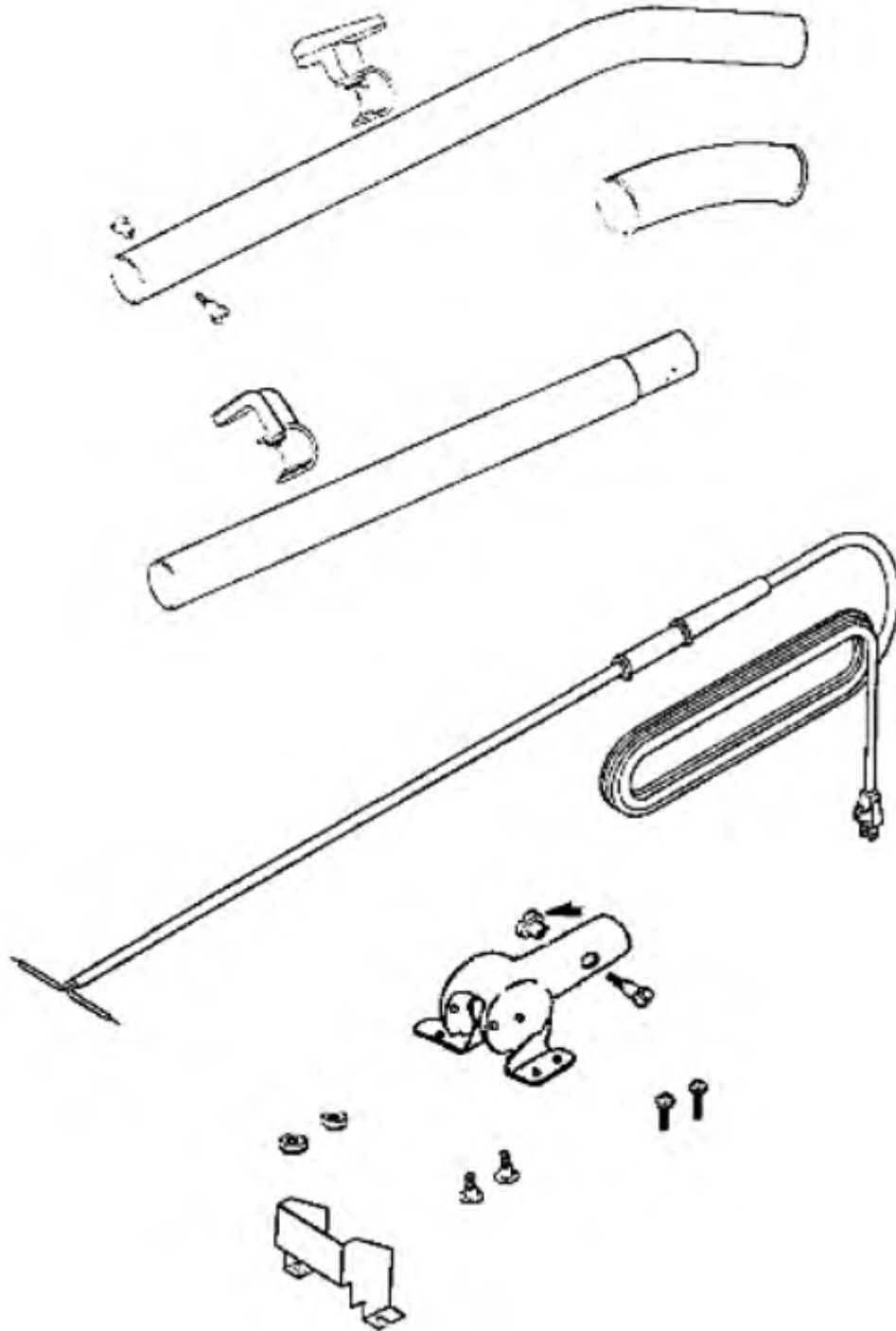
[Shop genuine replacement parts for SANITAIRE S654](#)



[Find Your SANITAIRE Vacuum Cleaner Parts - Select From 77 Models](#)

----- Manual continues below -----

**26176-1 UPPER HANDLE ASS'Y.(INCLUDES)
25103A-3 HANDLE GRIP**

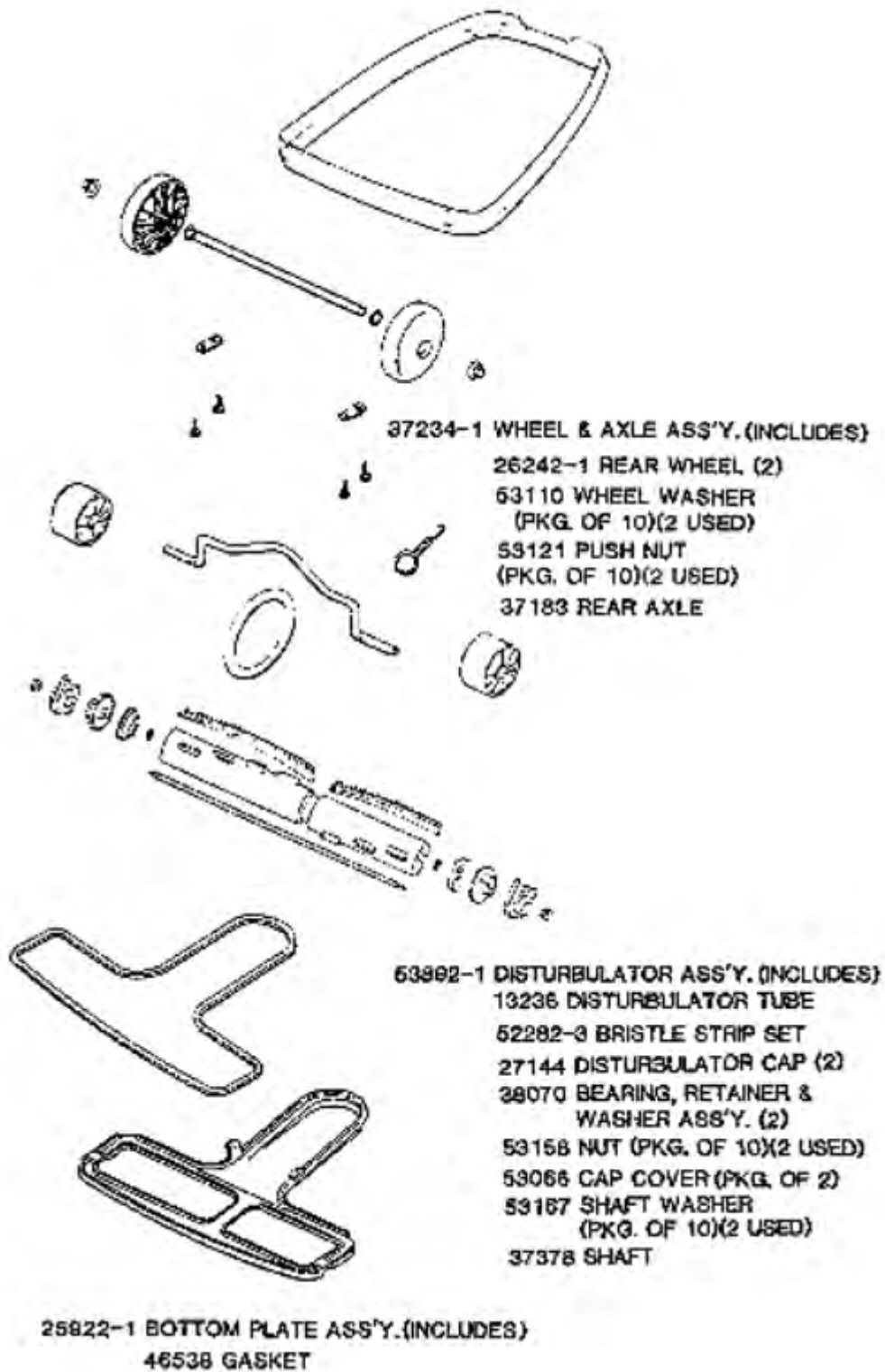


PARTS1 - S654A

Ref #	Part	Description	Comments	Qty
1	E-13770-1	COVER - FAN SCROLL		
2	E-24834A-1	Discontinued, use 24834A-3		
3	E-24964A	CAM (RIGHT)		
4	E-24965A	CAM (LEFT)		
5	E-30517	GASKET - MOTOR SEAL		
6	E-36263	COVER - WHEEL		
7	E-36409-13	SWITCH - PUSH		
8	E-38053-2	KNOB ASSEMBLY		
9	E-49052-3	TAPE - FOAM		
10	E-52334	FAN CHAMBER REPLACEMENT K		
11	E-53089-1	BUSHING & STRAIN RELIEF P		
12	E-53097	SPRING - FOOT PEDAL PKG (
13	E-53117	SPRING - HOOD PACKAGE (10		
14	E-53118	RIVET - SHOULDER PACKAGE		
15	E-53133	STL WASHERS-PKG (48495 (NLA)		
16	E-53140	CLAMP & SCREW ASSY PKG		
17	E-53143	SCREW PACKAGE (10)		
18	E-53160	CABLE CLAMP PACKAGE		
19	E-53214-1	WIRE NUTS/PKG 10		
20	E-53228-7	SCREWS - PACKAGE 10		
21	E-53238-14	SCREW PACKAGE		
22	E-53238-17	SCREW PACKAGE		
23	E-55296	WIRE & TERMINAL ASSEMBLY		
24	E-55446	NUT - HEX		
25	E-55726-9	BASE ASSEMBLY - CARTONED		

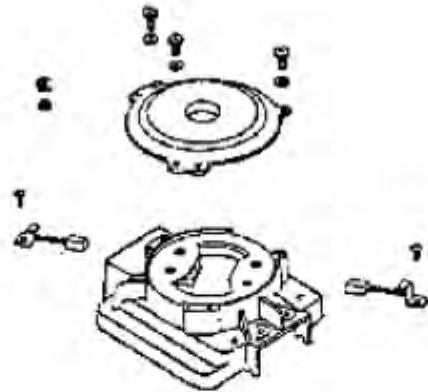
PARTS4 - S654A

Ref #	Part	Description	Comments	Qty
1	E-12637-8	TUBE - HANDLE (LOWER)		
2	E-13521-2	RETAINER - CORD (LOWER)		
3	E-26176-1	HANDLE ASSEMBLY (UPPER)		
4	E-34732-20	CORD & PLUG ASSEMBLY		
5	E-36097-3	SLEEVE		
6	E-36439	SHIELD - HANDLE SOCKET		
7	E-36965-2	CORD RETAINER ASSY-BLACK		
8	E-37456-1	HANDLE SOCKET ASSEMBLY		
9	E-53145	BOLT PACKAGE (10)		
10	E-53198-1	HANDLE SCREW ASSY PACKAGE		
11	E-53238-13	SCREW PACKAGE		
12	E-4EW14-10ZP	NUTS - PACKAGE 10		



PARTS3 - S654A

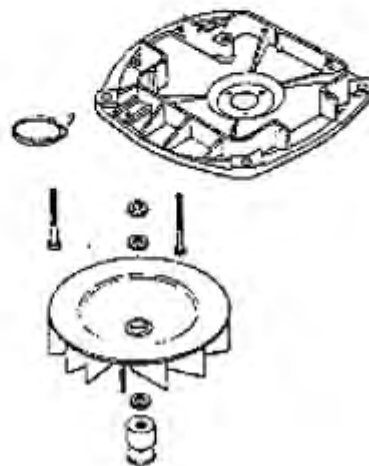
Ref #	Part	Description	Comments	Qty
1	E-13236	TUBE - DISTURBULATOR		
2	E-25922-1	BOTTOM PLATE ASSEMBLY		
3	E-26242-1	REAR WHEEL use 26242-119N		
4	E-26296-12	GUARD - FURNITURE		
5	E-27144	CAP - DISTURBULATOR		
6	E-35947A	AXLE - FRONT		
7	E-37183	AXLE - REAR		
8	E-37234-1	WHEEL & AXLE ASSY		
9	E-37378	DIST SHAFT & BRG ASSY - C		
10	E-46538	TAPE-FOAM (use 46538-4)		
11	E-52282-4	BRUSH STRIP		
12	E-53066	CAP - COVER		
13	E-53076-2	SPRING & AXLE PACKAGE (6)		
14	E-53110	WASHER - WHEEL PACKAGE (1)		
15	E-53121	PUSH NUT PACKAGE (10)		
16	E-53158	LOCK NUT PACKAGE		
17	E-53167	WASHER - SHAFT PACKAGE		
18	E-53201	AXLE CLAMP - PACKAGED		
19	E-53238-11	SCREW PACKAGE		
20	E-53892-1	DISTR ASSY(sub 53270)		
21	E-52100A	BELT PKG ASSY (UPRIGHT)		



21336-4 ARMATURE, FAN & BEARING ASS'Y.
41001A-12 BEARING
30474A FAN

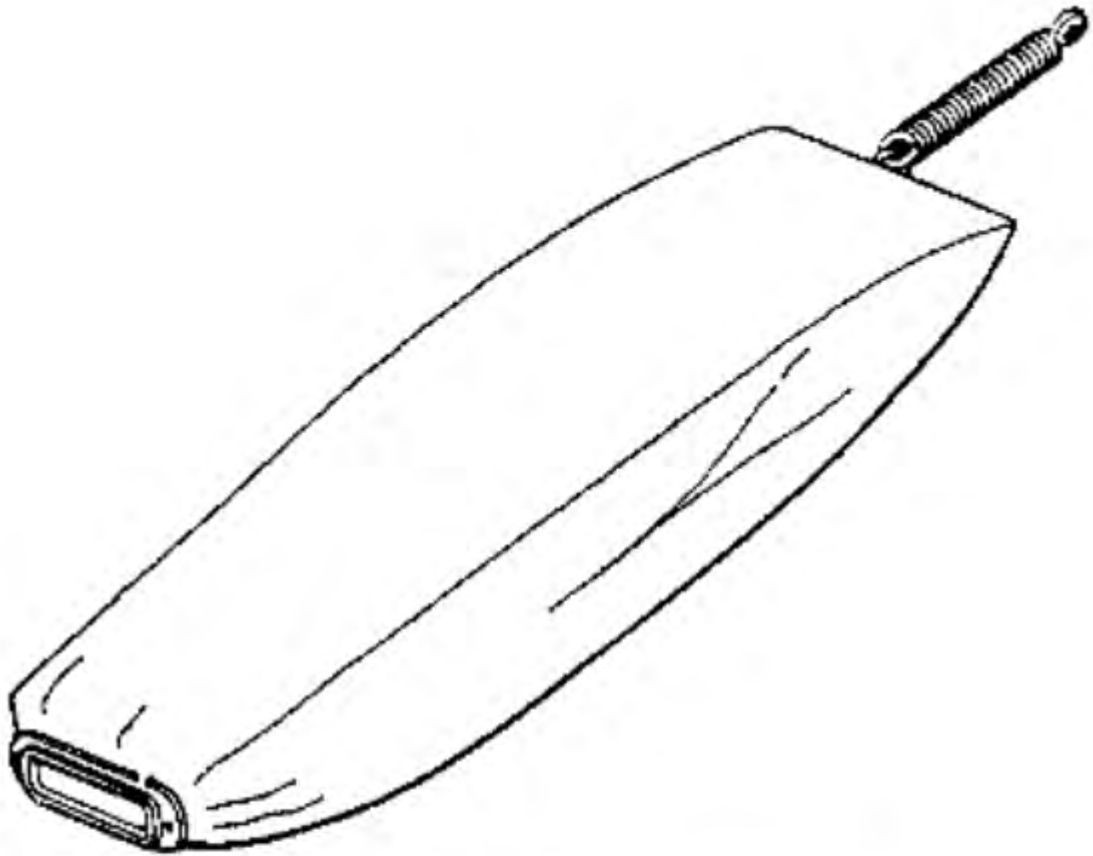


31923A MOTOR BASE ASS'Y.
42875 BEARING & RETAINER
41001A-9 BEARING
41005A RETAINER
51108A-10 RIVET (3)



PARTS2 - S654A

Ref #	Part	Description	Comments	Qty
1	E-12988	FAN BLOWER - MOTOR		
2	E-20217E	RETAINER - UPPER BEARING		
3	E-21336-4	KIT - ARMATURE REPLACEMEN		
4	E-30474A	FAN - MOTOR COOLING		
5	E-30478	MOTOR BRUSH ASSEMBLY		
6	E-41001A-12	BALL BEARING - PACKAGE		
7	E-41001A-9	BALL BEARING - PACKAGE		
8	E-42875	BEARING RETAINER ASSY-W/L		
9	E-49507	PULLEY - MOTOR DRIVE		
10	E-51108A-10	RIVET PACKAGE		
11	E-53138	SCREWS - PACKAGE 10		
12	E-53141	TIE - CABLE (PURCHASED)		
13	E-53142	SCREW PACKAGE (10)		
14	E-53148	WASHER - FAN PACKAGE (10)		
15	E-53188-1	WASHER PACKAGE		
16	E-53213-4	NUTS - PACKAGE 10		
17	E-53219-2	SCREWS - PACKAGE 10		
18	E-EW84-8C	LOCKWASHERS - PACKAGE 10		



55332 HARDWARE PACKAGE



- (1) BELT
- (2) HDLE. SCREW ASS'Y.
- (1) CORD RETAINER (UPPER)
- (1) CORD RETAINER (LOWER)
- (2) SCREW

PARTS5 - S654A

Ref #	Part	Description	Comments	Qty
1	E-36968	GASKET		
2	E-47722	SPRING - BAG		
3	E-55332	HARDWARE PACKAGE		