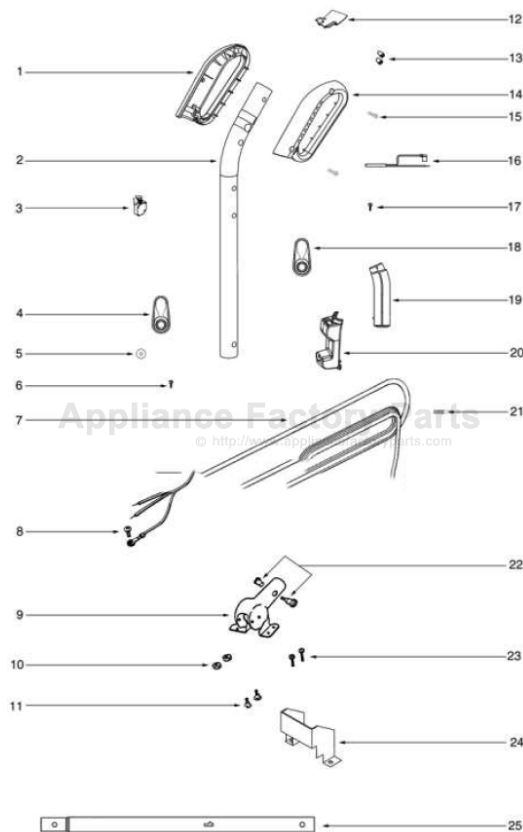


This Owner's Manual is provided and hosted by [Appliance Factory Parts](http://ApplianceFactoryParts.com).



SANITAIRE S670A Owner's Manual

[Shop genuine replacement parts for SANITAIRE S670A](#)

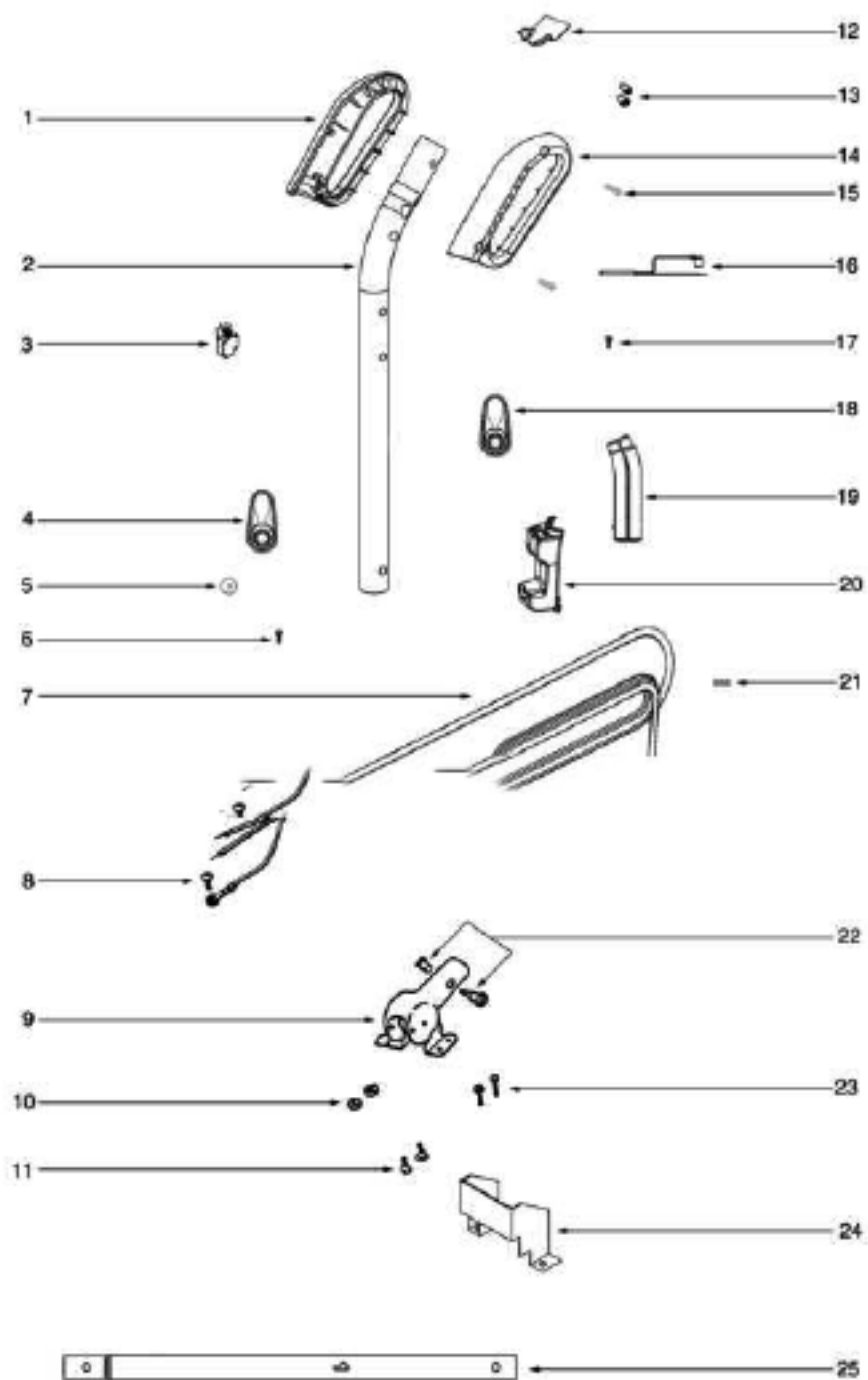


[Find Your SANITAIRE Vacuum Cleaner Parts - Select From 78 Models](#)

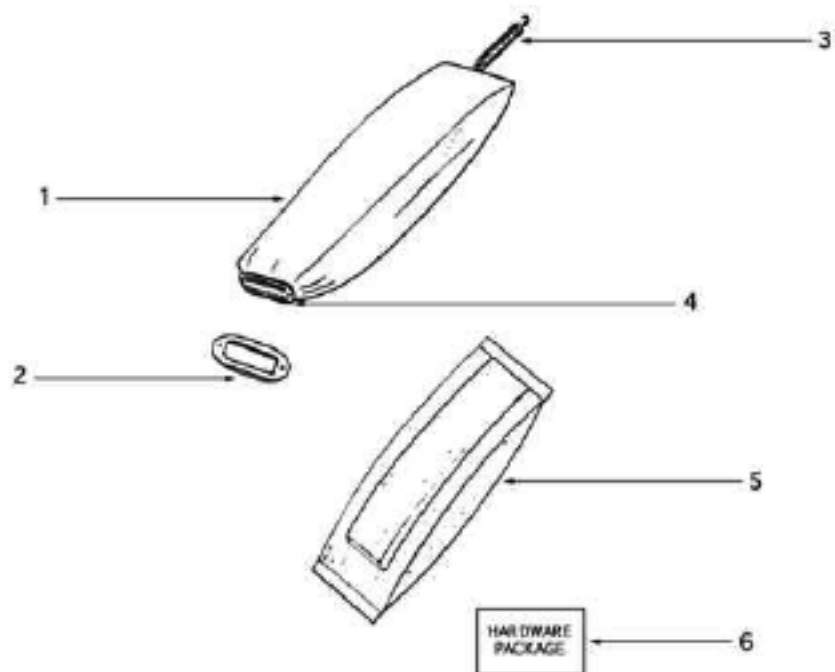
----- Manual continues below part list -----

Available Replacement Parts for SANITAIRE S670A

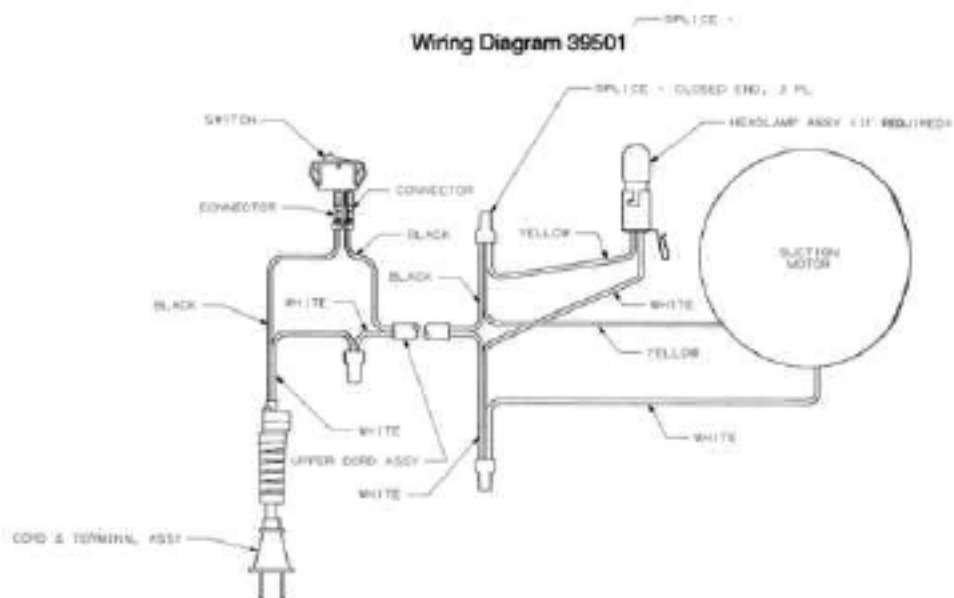
| | |
|-------------------------|-----------------------------------|
| 53201 | porcelain steel wire cooking grid |
| E-52320 | BAGS, PAPER OEM 3 PACK |



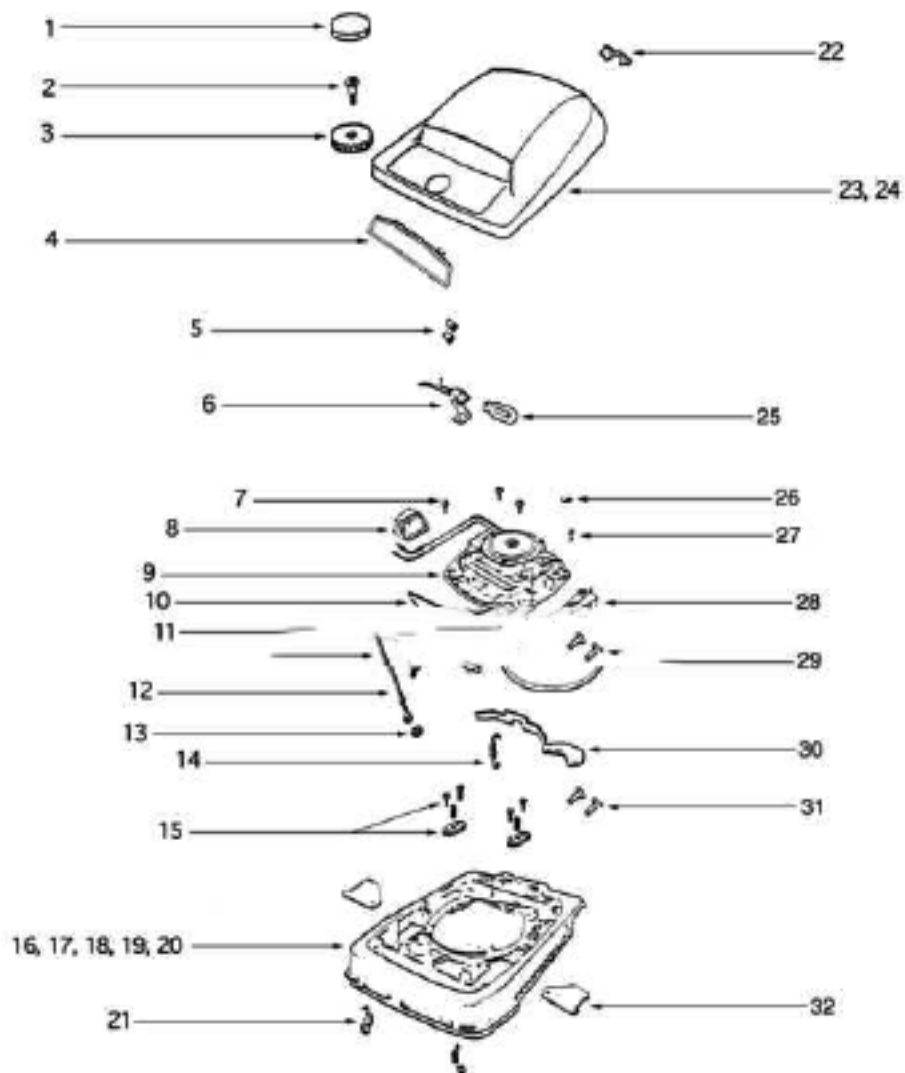
| Ref # | Part | Description | Comments | Qty |
|-------|-------------|---------------------------|----------|-----|
| 1 | 15596-288N | GRIP - LEFT HANDLE | | |
| 2 | 28639 | HANDLE - UPPER STEEL | | |
| 3 | 28305 | SWITCH - ROCKER | | |
| 4 | 28316-288N | RETAINER - CORD | | |
| 5 | 60946 | WASHER - PACKAGED | | |
| 6 | 60947 | SCREWS - PACKAGED | | |
| 7 | 38680-25 | SUPPLY CORD & TERMINAL AS | | |
| 8 | 53238-13 | SCREW PACKAGE | | |
| 9 | 38183-1SV | HANDLE SOCKET ASSEMBLY | | |
| 10 | 53213-5 | NUTS - PACKAGE 10 | | |
| 11 | 53145 | BOLT PACKAGE (10) | | |
| 12 | 59741-316N | SHIELD - WIRING | | |
| 13 | 60192-1 | WIRE SPLICE 5 | | |
| 14 | 15597-288N | GRIP - RIGHT HANDLE | | |
| 15 | 53197-1 | SCREW PACKAGE | | |
| 16 | 28011-6 | UPPER CORD ASSEMBLY | | |
| 17 | 53238-18 | SCREW PACKAGE | | |
| 18 | 13521-2 | RETAINER - CORD (LOWER) | | |
| 19 | 02349A-288N | HOUSING - SWITCH (RH) | | |
| 20 | 02410A-288N | HOUSING - SWITCH (LH) | | |
| 21 | 60945 | SPRING - PACKAGED | | |
| 22 | 53198-1 | HANDLE SCREW ASSY PACKAGE | | |
| 23 | 36439 | SHIELD - HANDLE SOCKET | | |
| 24 | 12637-8 | TUBE - HANDLE (LOWER) | | |



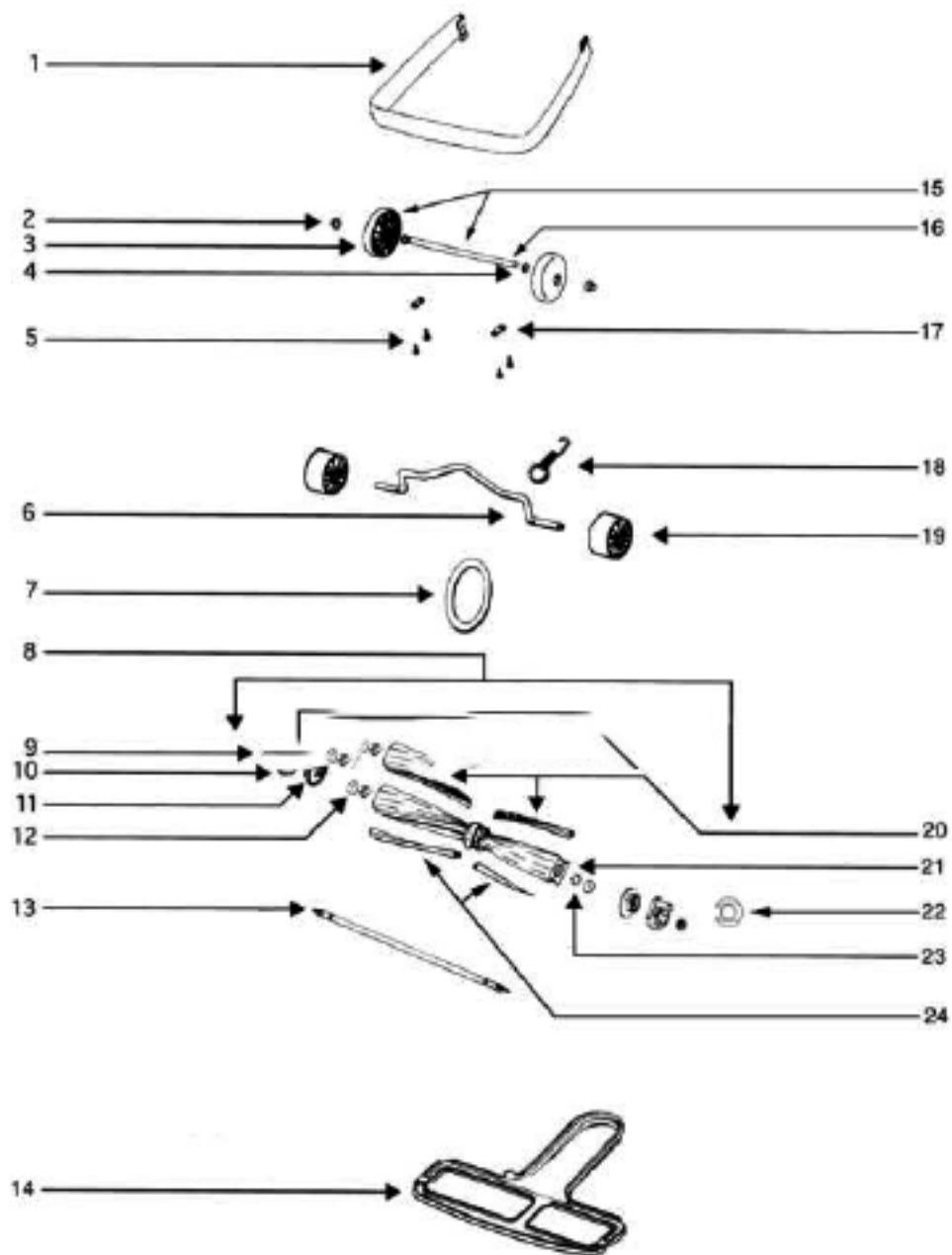
Wiring Diagram 39501



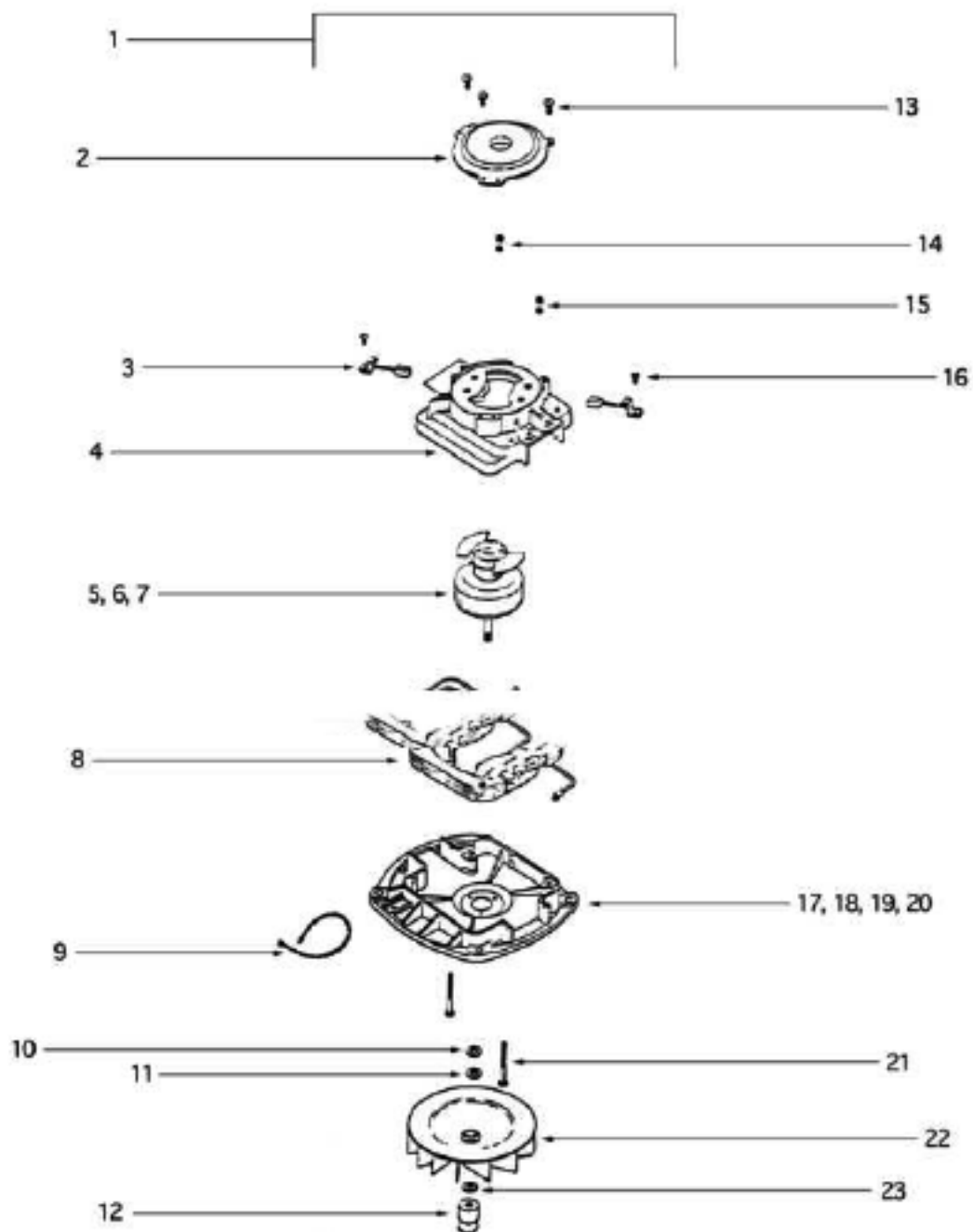
| Ref # | Part | Description | Comments | Qty |
|-------|----------|---------------------------|----------|-----|
| 1 | 53469-20 | ZIPPER BAG ASSY - PACKAGE | | |
| 2 | 36968 | GASKET | | |
| 3 | 48410 | SPRING - GARTER | | |
| 4 | 54175-2 | ADAPTER - BAG | | |
| 5 | 52320A | PAPER BAG PKG ASSY STYLE | | |
| 6 | 71971-1 | HARDWARE PACKAGE - UPRIGH | | |
| 7 | 71970 | OWNER'S GUIDE | | |
| | 52309-1 | ADAPTER - BAG | | |



| Ref # | Part | Description | Comments | Qty |
|-------|----------|---------------------------|----------|-----|
| 1 | 38054-3 | GRIP ASSEMBLY | | |
| 2 | 53143 | SCREW PACKAGE (10) | | |
| 3 | 14302-3 | KNOB - 8 POSITION | | |
| 4 | 12501-8 | LENS - HOOD | | |
| 5 | 60192-1 | WIRE SPLICE 5 | | |
| 6 | 35958A | HEADLAMP SOCKET ASSEMBLY | | |
| 7 | 53238-14 | SCREW PACKAGE | | |
| 8 | 56383SV | DUCT ASSEMBLY (R) | | |
| 9 | 54352-3 | MOTOR ASSEMBLY - PACKAGED | | |
| 10 | 25452A | LIGHT SHIELD | | |
| 11 | 53228-2 | SCREWS - PACKAGE 10 | | |
| 12 | 55296 | WIRE & TERMINAL ASSEMBLY | | |
| 13 | 53213-5 | NUTS - PACKAGE 10 | | |
| 14 | 53097 | SPRING - FOOT PEDAL PKG (| | |
| 15 | 53140 | CLAMP & SCREW ASSY PKG | | |
| 16 | 53425-23 | BASE ASSEMBLY - CARTONED | | |
| 17 | 24964A-1 | CAM (RIGHT) | | |
| 18 | 24965A-1 | CAM (LEFT) | | |
| 19 | 53118 | RIVET - SHOULDER PACKAGE | | |
| 20 | 53133 | STEEL WASHERS - PACKAGE 1 | | |
| 21 | 53117 | SPRING - HOOD PACKAGE (10 | | |
| 22 | 53089-1 | BUSHING & STRAIN RELIEF P | | |
| 23 | 54407-4 | MOTOR HOOD ASSEMBLY - PAC | | |
| 24 | 39500 | NAMEPLATE | | |
| 25 | 40009A | LAMP - HEADLIGHT | | |
| 26 | 53160 | CABLE CLAMP PACKAGE | | |
| 27 | 56382SV | DUCT ASSEMBLY (L) | | |
| 28 | 30517 | GASKET - MOTOR SEAL | | |
| 29 | 24834A-3 | PEDAL - FOOT | | |
| 30 | 36263 | COVER - WHEEL | | |



| Ref # | Part | Description | Comments | Qty |
|-------|------------|---------------------------|----------|-----|
| 1 | 28504-1 | GUARD - FURNITURE | | |
| 2 | 53121 | PUSH NUT PACKAGE (10) | | |
| 3 | 28242-119N | WHEEL - REAR | | |
| 5 | 53238-11 | SCREW PACKAGE | | |
| 6 | 35947A | AXLE - FRONT | | |
| 7 | 52100A | BELT PKG ASSY (UPRIGHT) | | |
| 8 | 53272 | DISTURBULATOR ASSEMBLY | | |
| 9 | 53158 | LOCK NUT PACKAGE | | |
| 10 | 26059A | CAP - COVER | | |
| 11 | 26058A | CAP - DISTURBULATOR | | |
| 12 | 53114 | BEARING - DISTURBULATOR P | | |
| 13 | 35653A | SHAFT - DISTURBULATOR | | |
| 14 | 25922-1 | BOTTOM PLATE ASSEMBLY | | |
| 15 | 80161 | WHEEL & AXLE ASSY | | |
| 16 | 37183 | AXLE - REAR | | |
| 17 | 53110 | WASHER - WHEEL PACKAGE (1 | | |
| 18 | 53201 | CLAMPS - PACKAGE 10 | | |
| 19 | 53076-2 | SPRING & AXLE PACKAGE (6) | | |
| 20 | 35859A-1 | WHEEL - FRONT | | |
| 21 | 52140 | PACKAGED - BRISTLE STRIP | | |
| 22 | 26845 | EXTRUSION - DISTURBULATOR | | |
| 23 | 35728A-1 | PLATE - COVER | | |
| 24 | 53115 | PACKAGE - TOLERANCE RING | | |
| 25 | 35665B | BAR - BEATER (LONG) | | |
| 26 | 35664B | BAR - BEATER (SHORT) | | |



| Ref # | Part | Description | Comments | Qty |
|-------|---------|----------------------------|----------|-----|
| 1 | 54352-3 | MOTOR ASSEMBLY - PACKAGED | | |
| 2 | 20217E | RETAINER - UPPER BEARING | | |
| 3 | 30478 | MOTOR BRUSH ASSEMBLY | | |
| 4 | 54395 | MOTOR COVER ASSEMBLY - LA | | |
| 5 | 54425-3 | KIT - ARMATURE REPLACEMENT | | |
| 6 | 53088-5 | BALL BEARING - PACKAGE | | |
| 7 | 30474A | FAN - MOTOR COOLING | | |
| 8 | 53441-2 | FIELD ASSEMBLY - PACKAGED | | |
| 9 | 46713-1 | TIE - CABLE | | |
| 10 | 54811 | FAN WASHER - PACKAGED | | |
| 11 | 53148 | WASHER - FAN PACKAGE (10) | | |
| 12 | 37012-2 | PULLEY - MOTOR DRIVE | | |
| 13 | 53138 | SCREWS - PACKAGE 10 | | |
| 14 | 55817 | NUT - HEX 8-32 | | |
| 15 | 53222-4 | LOCKWASHERS - PACKAGE 10 | | |
| 16 | 53219-2 | SCREWS - PACKAGE 10 | | |
| 17 | 54169-1 | MOTOR BASE ASSEMBLY | | |
| 18 | 53187-1 | RIVET PACKAGE | | |
| 18 | 54412-2 | BEARING RETAINER ASSY-W/L | | |
| 19 | 53142 | SCREW PACKAGE (10) | | |
| 20 | 12988 | FAN BLOWER - MOTOR | | |