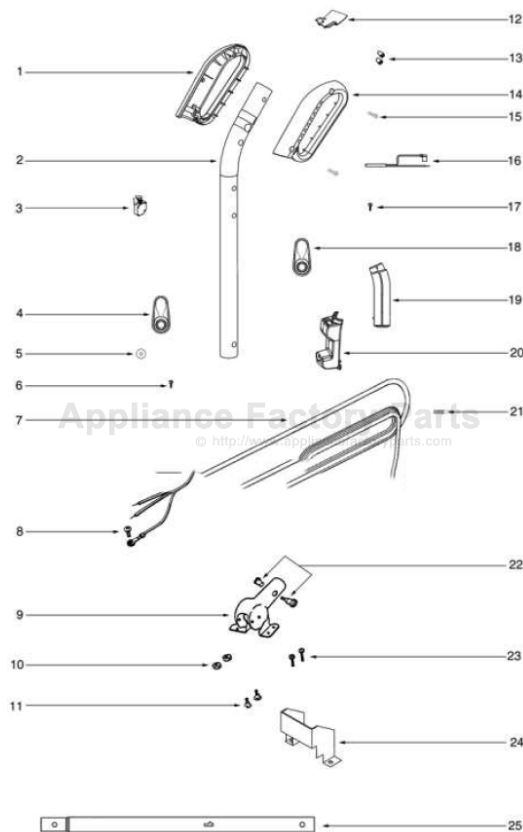


This Owner's Manual is provided and hosted by [Appliance Factory Parts](http://ApplianceFactoryParts.com).



# SANITAIRE S677A Owner's Manual

[Shop genuine replacement parts for SANITAIRE S677A](#)

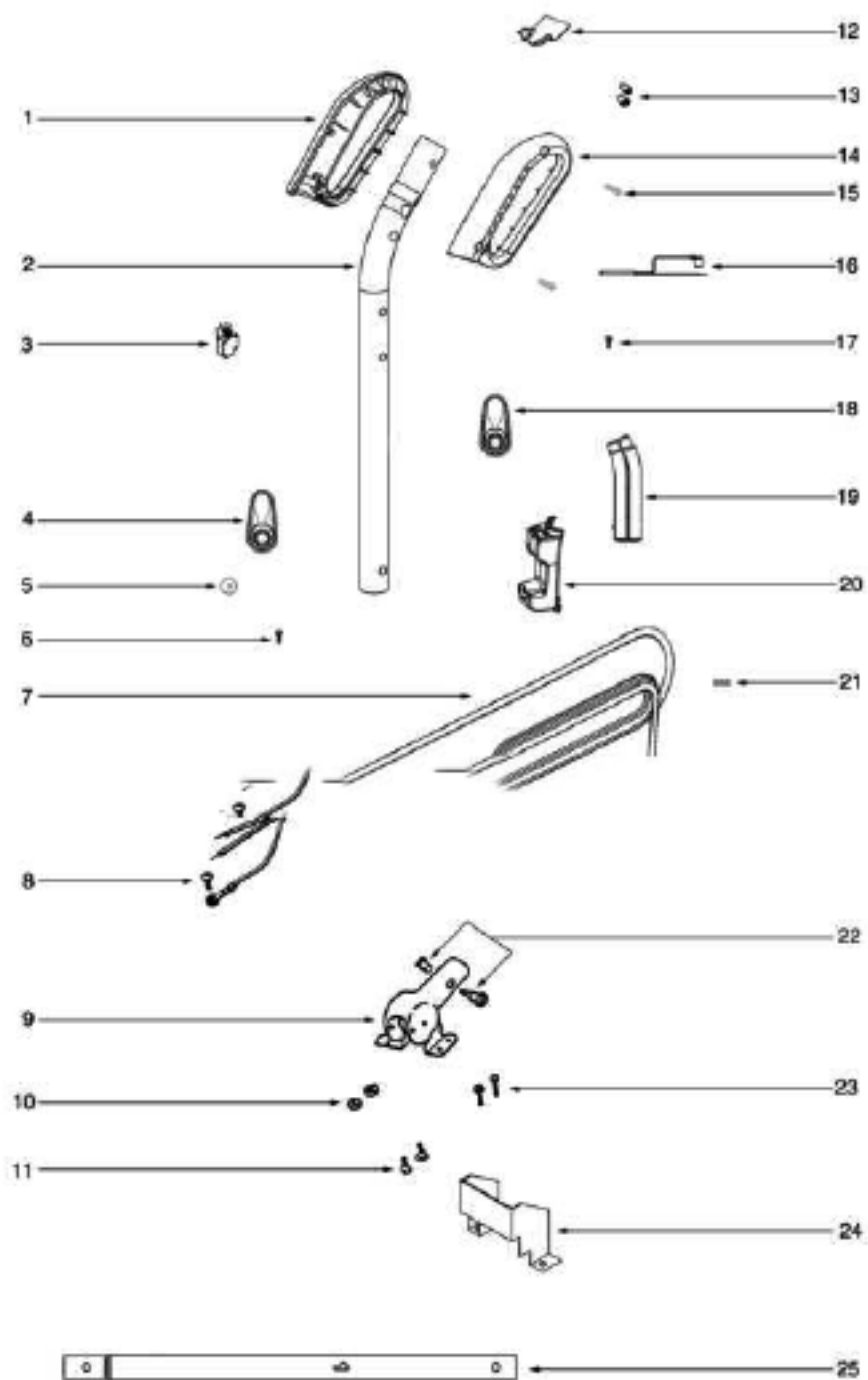


[Find Your SANITAIRE Vacuum Cleaner Parts - Select From 78 Models](#)

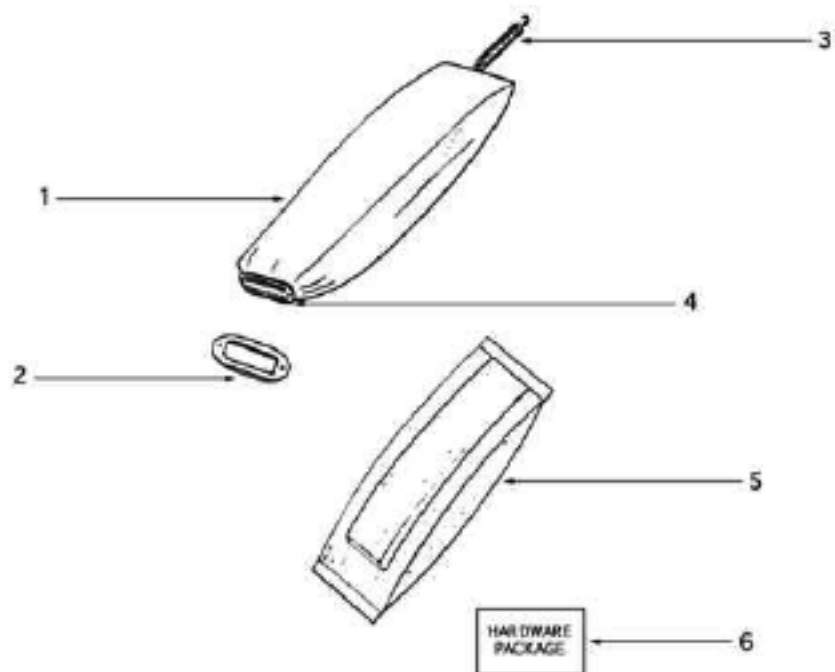
----- Manual continues below part list -----

## Available Replacement Parts for SANITAIRE S677A

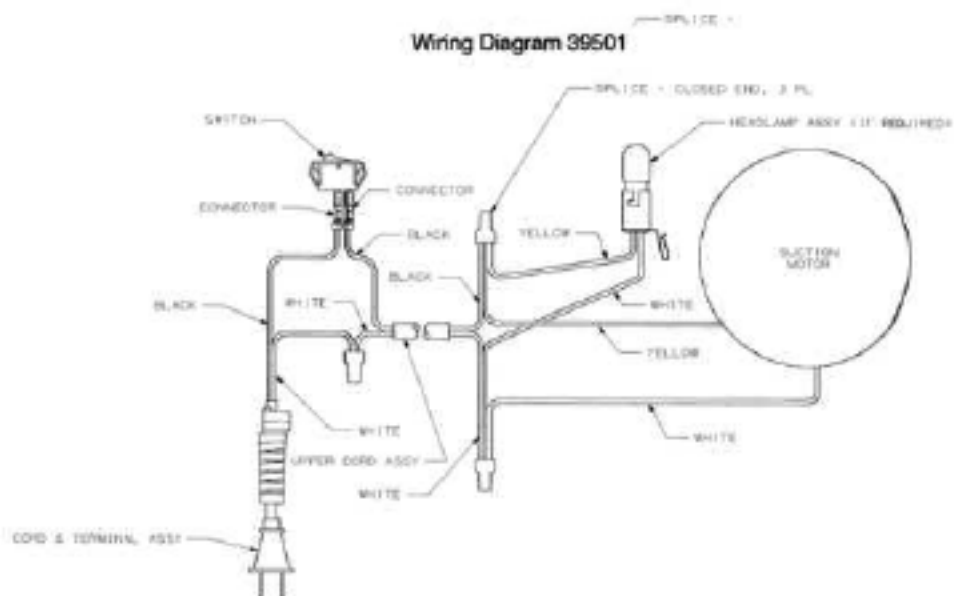
<a href="#">53201</a>	porcelain steel wire cooking grid
<a href="#">E-52320</a>	BAGS, PAPER OEM 3 PACK



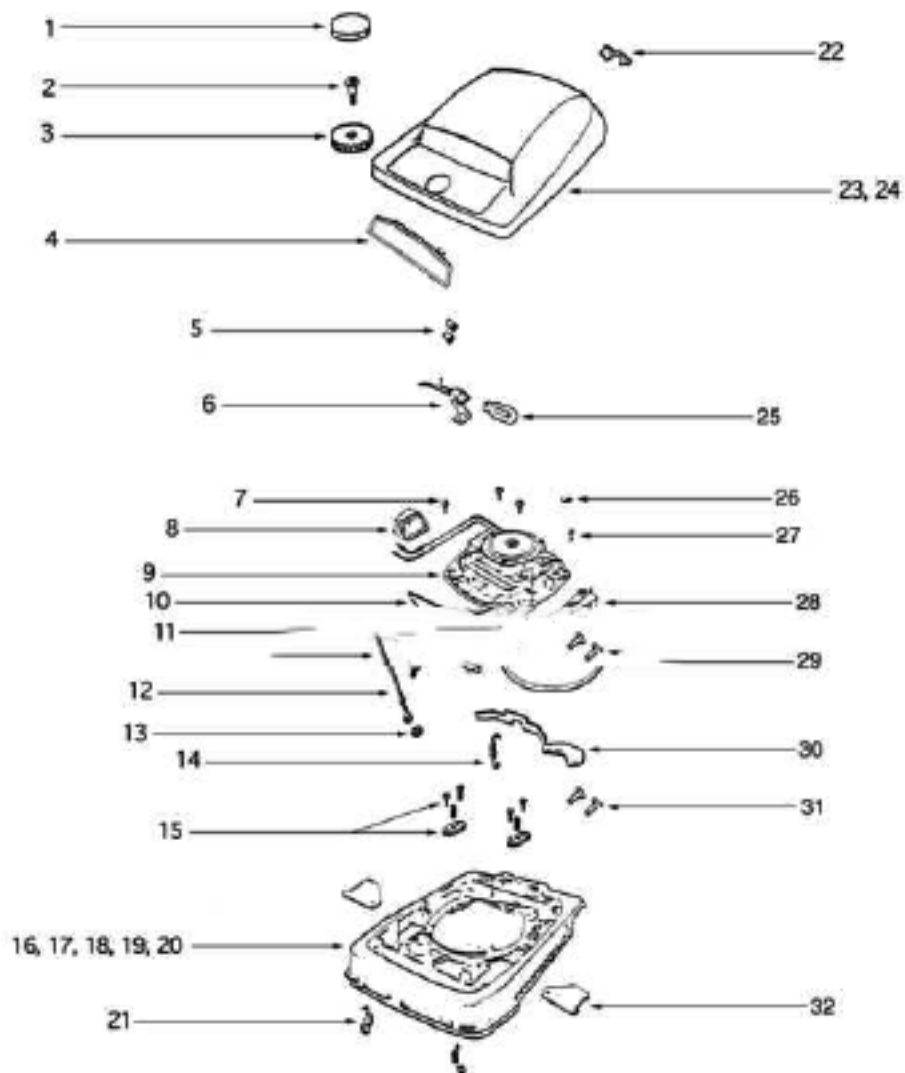
Ref #	Part	Description	Comments	Qty
1	15596-288N	GRIP - LEFT HANDLE		
2	28639	HANDLE - UPPER STEEL		
3	28305	SWITCH - ROCKER		
4	28316-288N	RETAINER - CORD		
5	60946	WASHER - PACKAGED		
6	60947	SCREWS - PACKAGED		
7	38680-25	SUPPLY CORD & TERMINAL AS		
8	53238-13	SCREW PACKAGE		
9	38183-1SV	HANDLE SOCKET ASSEMBLY		
10	53213-5	NUTS - PACKAGE 10		
11	53145	BOLT PACKAGE (10)		
12	59741-316N	SHIELD - WIRING		
13	60192-1	WIRE SPLICE 5		
14	15597-288N	GRIP - RIGHT HANDLE		
15	53197-1	SCREW PACKAGE		
16	28011-6	UPPER CORD ASSEMBLY		
17	53238-18	SCREW PACKAGE		
18	13521-2	RETAINER - CORD (LOWER)		
19	02349A-288N	HOUSING - SWITCH (RH)		
20	02410A-288N	HOUSING - SWITCH (LH)		
21	60945	SPRING - PACKAGED		
22	53198-1	HANDLE SCREW ASSY PACKAGE		
23	36439	SHIELD - HANDLE SOCKET		
24	12637-8	TUBE - HANDLE (LOWER)		



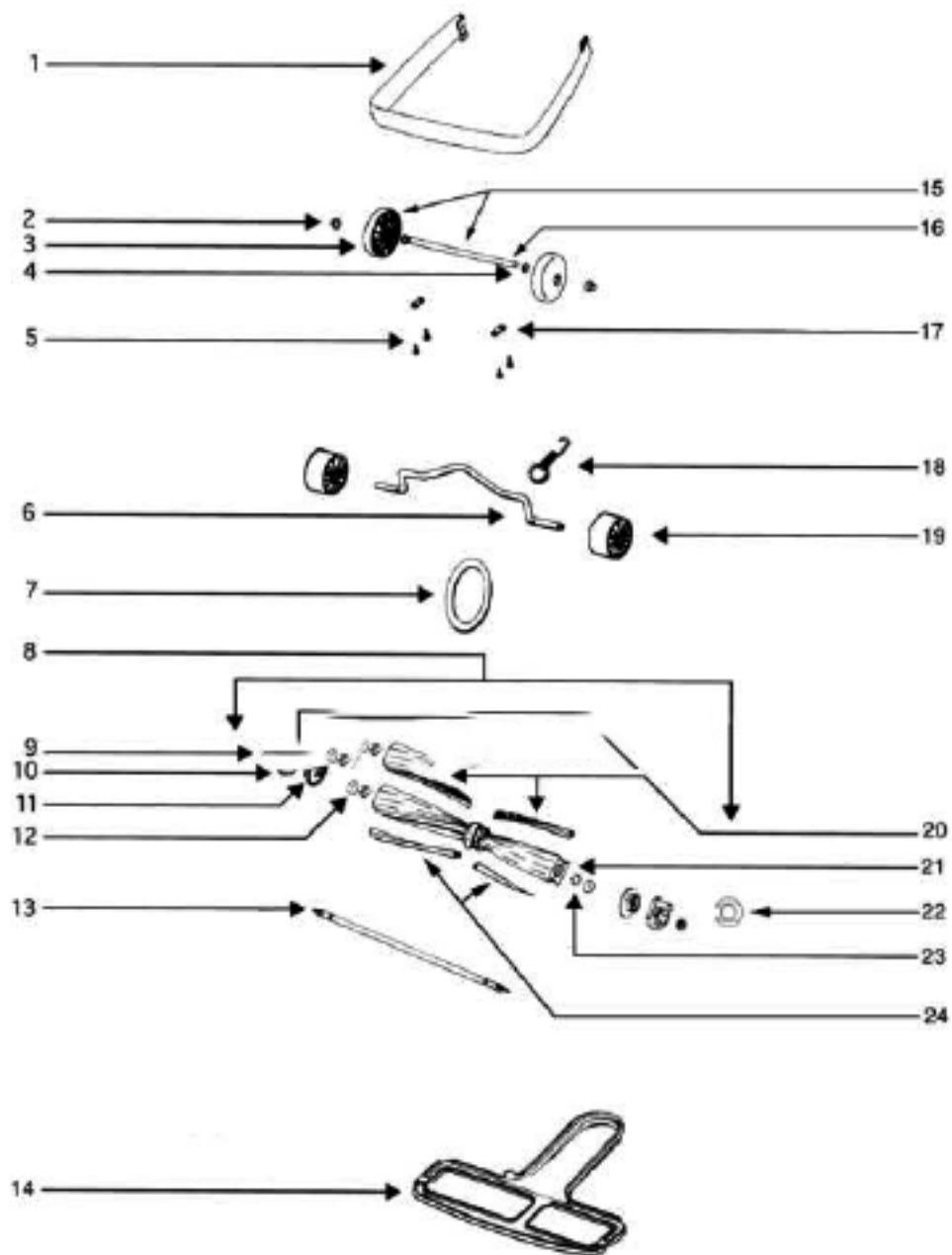
Wiring Diagram 39501



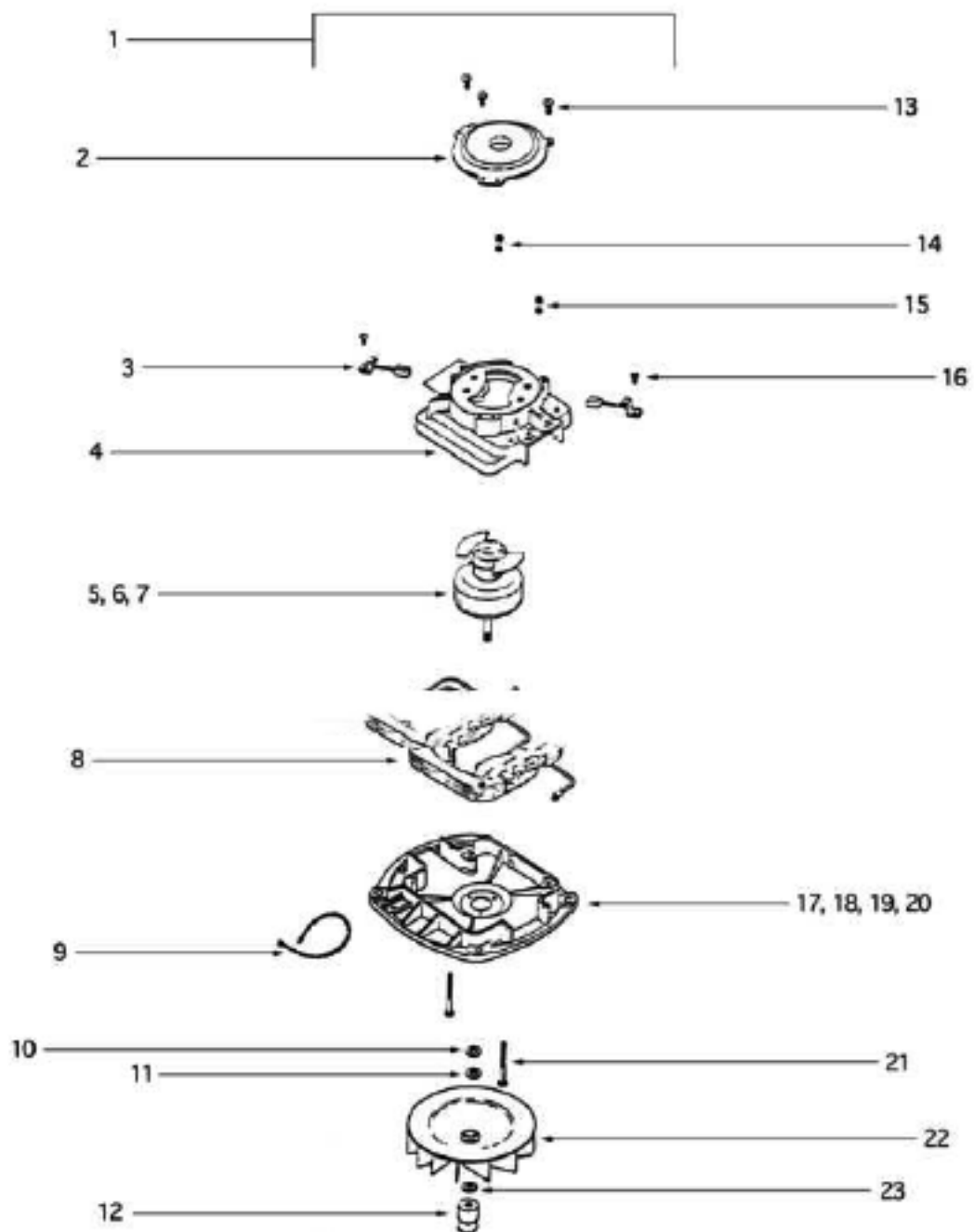
Ref #	Part	Description	Comments	Qty
1	53469-20	ZIPPER BAG ASSY - PACKAGE		
2	36968	GASKET		
3	48410	SPRING - GARTER		
4	54175-2	ADAPTER - BAG		
5	52320A	PAPER BAG PKG ASSY STYLE		
6	71971-1	HARDWARE PACKAGE - UPRIGH		
7	71970	OWNER'S GUIDE		
	52309-1	ADAPTER - BAG		



Ref #	Part	Description	Comments	Qty
1	38054-3	GRIP ASSEMBLY		
2	53143	SCREW PACKAGE (10)		
3	14302-3	KNOB - 8 POSITION		
4	12501-8	LENS - HOOD		
5	60192-1	WIRE SPLICE 5		
6	35958A	HEADLAMP SOCKET ASSEMBLY		
7	53238-14	SCREW PACKAGE		
8	56383SV	DUCT ASSEMBLY (R)		
9	54352-3	MOTOR ASSEMBLY - PACKAGED		
10	25452A	LIGHT SHIELD		
11	53228-2	SCREWS - PACKAGE 10		
12	55296	WIRE & TERMINAL ASSEMBLY		
13	53213-5	NUTS - PACKAGE 10		
14	53097	SPRING - FOOT PEDAL PKG (		
15	53140	CLAMP & SCREW ASSY PKG		
16	53425-23	BASE ASSEMBLY - CARTONED		
17	24964A-1	CAM (RIGHT)		
18	24965A-1	CAM (LEFT)		
19	53118	RIVET - SHOULDER PACKAGE		
20	53133	STEEL WASHERS - PACKAGE 1		
21	53117	SPRING - HOOD PACKAGE (10		
22	53089-1	BUSHING & STRAIN RELIEF P		
23	54407-4	MOTOR HOOD ASSEMBLY - PAC		
24	39500	NAMEPLATE		
25	40009A	LAMP - HEADLIGHT		
26	53160	CABLE CLAMP PACKAGE		
27	56382SV	DUCT ASSEMBLY (L)		
28	30517	GASKET - MOTOR SEAL		
29	24834A-3	PEDAL - FOOT		
30	36263	COVER - WHEEL		



Ref #	Part	Description	Comments	Qty
1	28504-1	GUARD - FURNITURE		
2	53121	PUSH NUT PACKAGE (10)		
3	28242-119N	WHEEL - REAR		
5	53238-11	SCREW PACKAGE		
6	35947A	AXLE - FRONT		
7	52100A	BELT PKG ASSY (UPRIGHT)		
8	53272	DISTURBULATOR ASSEMBLY		
9	53158	LOCK NUT PACKAGE		
10	26059A	CAP - COVER		
11	26058A	CAP - DISTURBULATOR		
12	53114	BEARING - DISTURBULATOR P		
13	35653A	SHAFT - DISTURBULATOR		
14	25922-1	BOTTOM PLATE ASSEMBLY		
15	80161	WHEEL & AXLE ASSY		
16	37183	AXLE - REAR		
17	53110	WASHER - WHEEL PACKAGE (1		
18	53201	CLAMPS - PACKAGE 10		
19	53076-2	SPRING & AXLE PACKAGE (6)		
20	35859A-1	WHEEL - FRONT		
21	52140	PACKAGED - BRISTLE STRIP		
22	26845	EXTRUSION - DISTURBULATOR		
23	35728A-1	PLATE - COVER		
24	53115	PACKAGE - TOLERANCE RING		
25	35665B	BAR - BEATER (LONG)		
26	35664B	BAR - BEATER (SHORT)		



Ref #	Part	Description	Comments	Qty
1	54352-3	MOTOR ASSEMBLY - PACKAGED		
2	20217E	RETAINER - UPPER BEARING		
3	30478	MOTOR BRUSH ASSEMBLY		
4	54395	MOTOR COVER ASSEMBLY - LA		
5	54425-3	KIT - ARMATURE REPLACEMENT		
6	53088-5	BALL BEARING - PACKAGE		
7	30474A	FAN - MOTOR COOLING		
8	53441-2	FIELD ASSEMBLY - PACKAGED		
9	46713-1	TIE - CABLE		
10	54811	FAN WASHER - PACKAGED		
11	53148	WASHER - FAN PACKAGE (10)		
12	37012-2	PULLEY - MOTOR DRIVE		
13	53138	SCREWS - PACKAGE 10		
14	55817	NUT - HEX 8-32		
15	53222-4	LOCKWASHERS - PACKAGE 10		
16	53219-2	SCREWS - PACKAGE 10		
17	54169-1	MOTOR BASE ASSEMBLY		
18	53187-1	RIVET PACKAGE		
18	54412-2	BEARING RETAINER ASSY-W/L		
19	53142	SCREW PACKAGE (10)		
20	12988	FAN BLOWER - MOTOR		