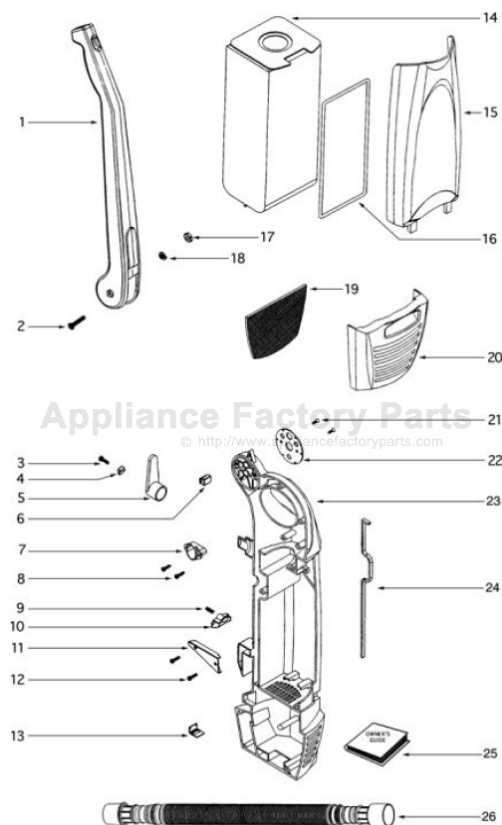


This Owner's Manual is provided and hosted by [Appliance Factory Parts](http://www.appliancefactoryparts.com).



SANITAIRE S782B Owner's Manual

[Shop genuine replacement parts for SANITAIRE S782B](#)

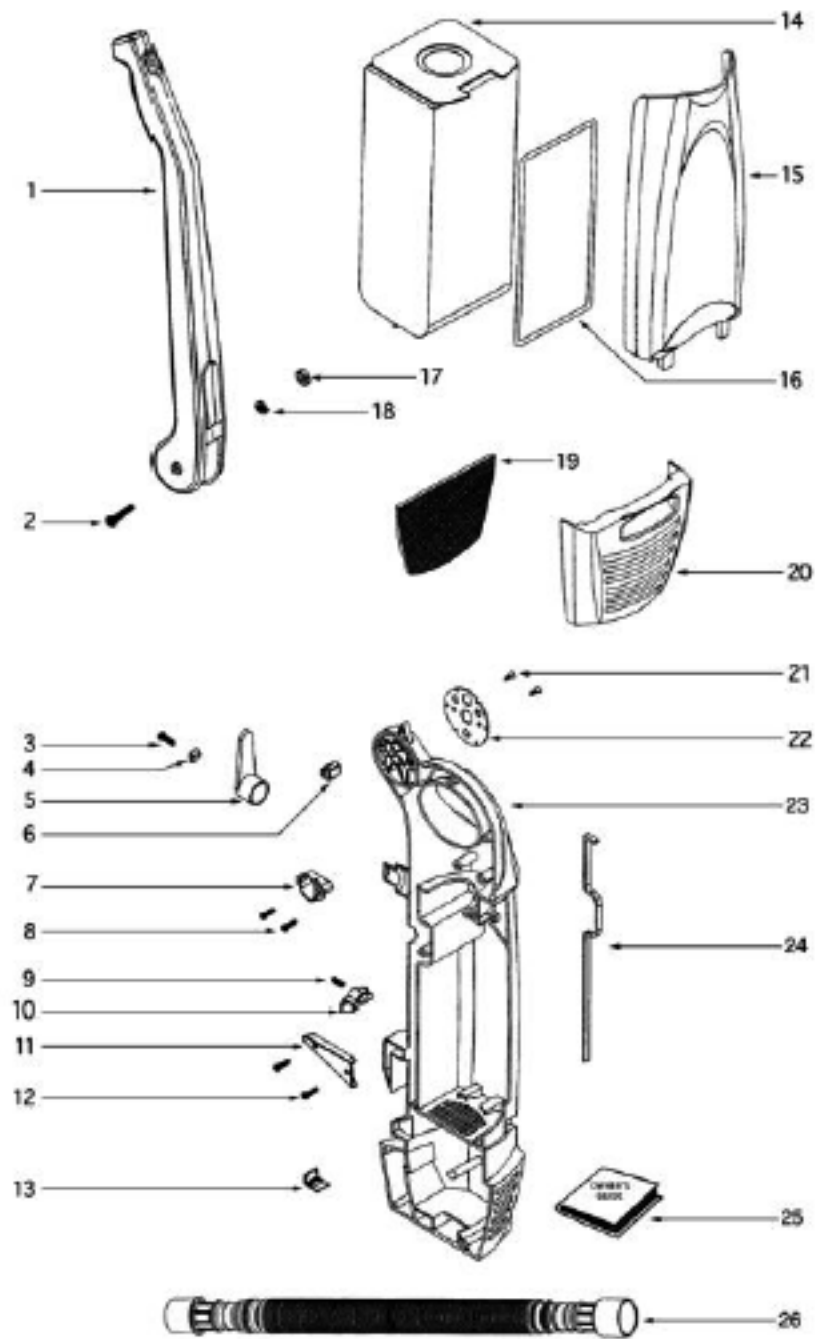


[Find Your SANITAIRE Vacuum Cleaner Parts - Select From 78 Models](#)

----- Manual continues below part list -----

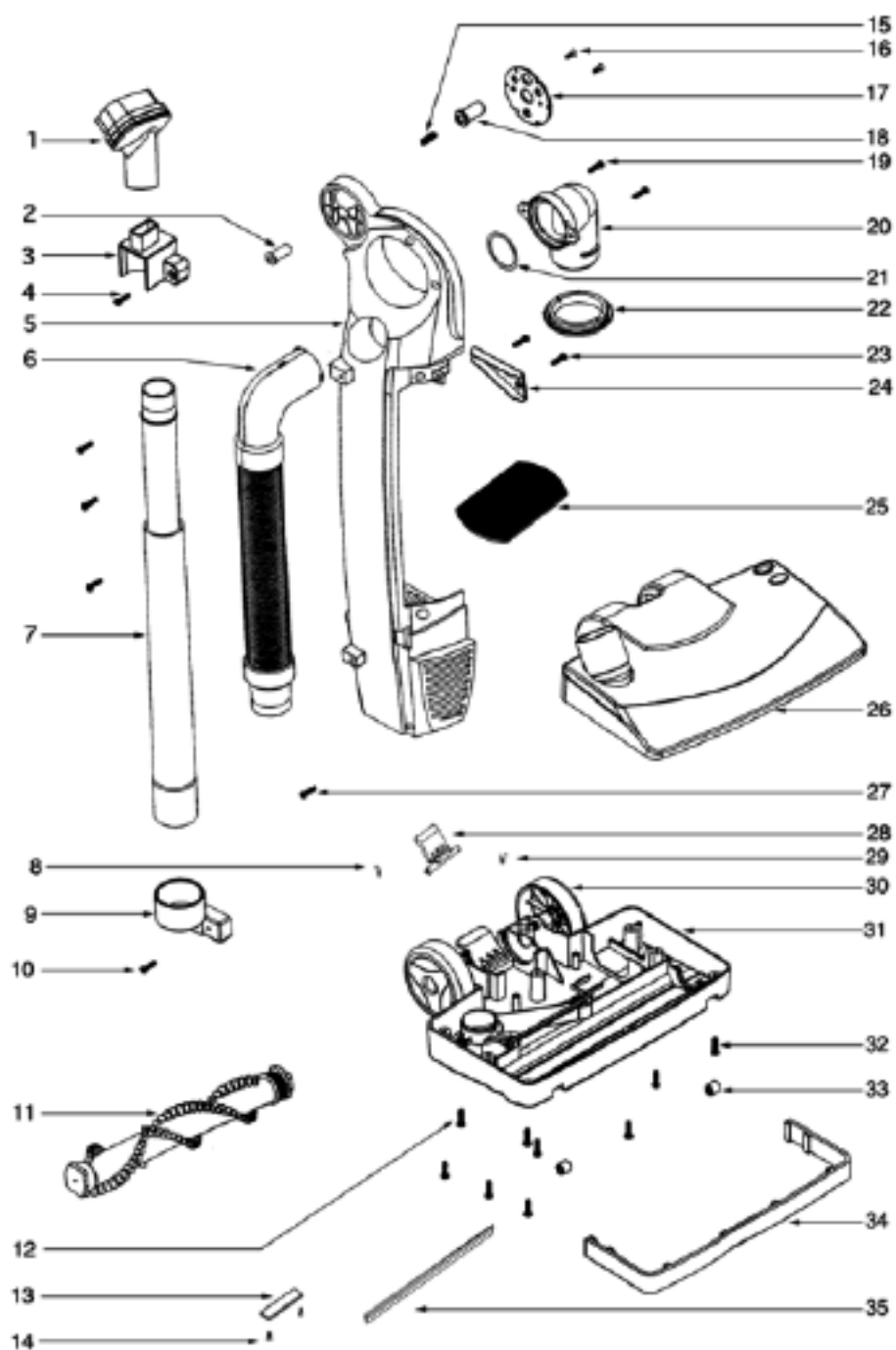
Available Replacement Parts for SANITAIRE S782B

E-61125	PAPER BAG EUREKA OEM 3 PACK
E-61121	DRIVE BELT COGED OEM EUREKA 1 PACK
6113211931	Valva spring



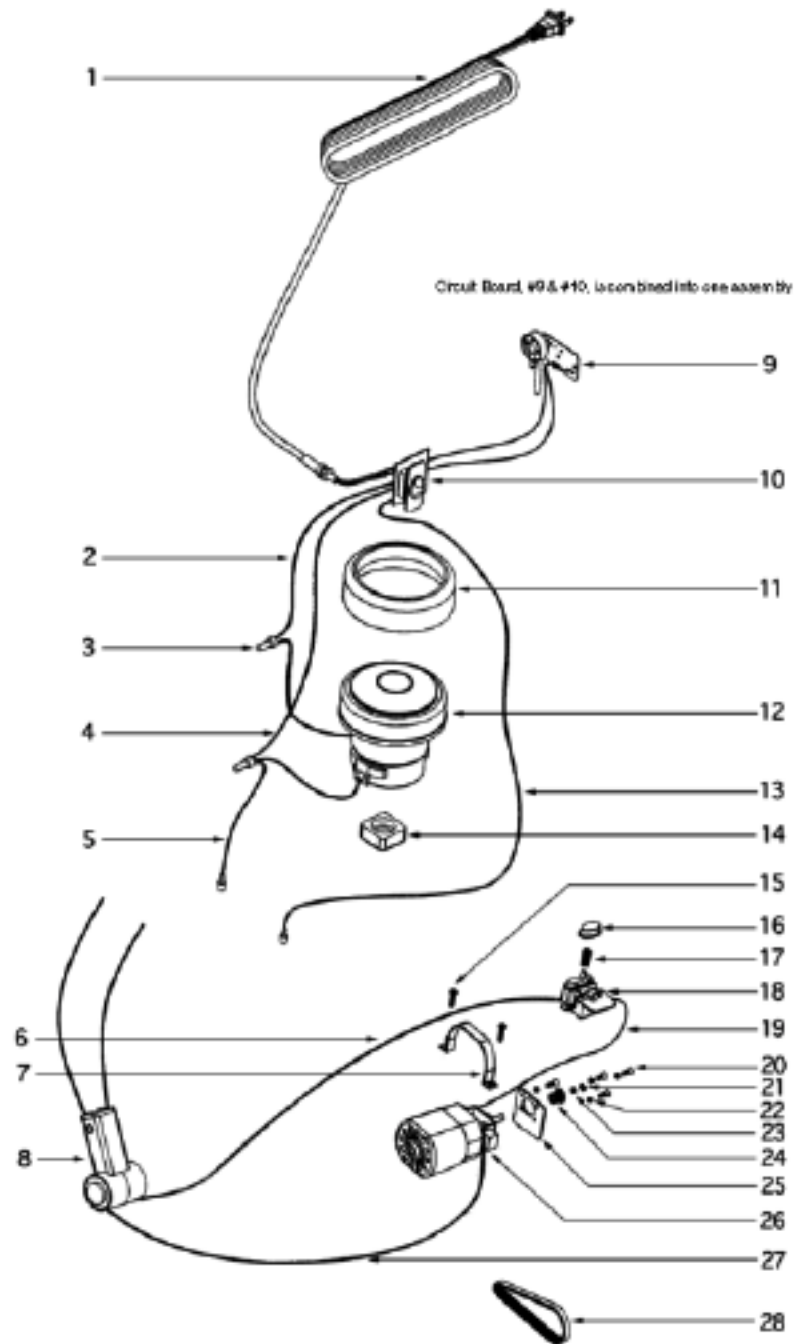
Handle and Bag Compartment - S782AT-1

Ref #	Part	Description	Comments	Qty
1	61200-1	UPPER PIVOTING HANDLE ASS		
2	61166	SCREW PACKAGE		
3	61165-1	SCREW PACKAGE		
4	61213	BRACKET - CORD RELEASE		
5	61212-1	HOOK - CORD SWIVEL		
6	61211	STOP - RUBBER		
7	61210	NEON LIGHT COVER		
9	61209	FIX SPRING		
10	61208	FIX SWITCH		
11	61207-1	RIGHT SIDE GUIDE		
12	61165-5	SCREW PACKAGE		
13	61189-2	FIXED PLATE		
14	61125	PAPER BAG PKG STYLE SL		
15	61202-3	DUST CABINET COVER		
16	61203	GASKET		
17	61198-2	NUT PACKAGE		
18	61199-3	SPRING WASHER PACKAGE		
19	61124	FILTER - EXHAUST MICRON		
20	61201-1	COVER - EXHAUST AIR		
21	61165-3	SCREW PACKAGE		
22	61174	FIX PLATE - HANDLE RELEAS		
23	61205-3	MACHINE COVER (RH)		
24	61206	GASKET (*L* PAD)		
25	70734	OWNERS GUIDE		
26	61307	EXTENTION HOSE ASSEMBLY		



Main Body - S782AT-1

Ref #	Part	Description	Comments	Qty
1	61126	DUSTING BRUSH/S782-785AT		
2	61159	SLEEVE - BUSHING		
3	61160	WAND SUPPORT (UPPER)		
4	61165-1	SCREW PACKAGE		
5	61204-3	MACHINE COVER (LH)		
6	61129-1	CLEANER HOSE ASSEMBLY		
7	61127	NESTING WAND SET		
8	61680	TORQUE SPRING (LH) - PKGD		
9	61163	WAND SUPPORT (LOWER)		
11	61128-1	BRUSHROLL ASSEMBLY - PKGD		
12	61165-2	SCREW PACKAGE		
13	61469-1	COVER - SQUEEGEE		
15	61180	SPRING PACKAGE		
16	61165-3	SCREW PACKAGE		
17	61174	FIX PLATE - HANDLE RELEAS		
18	61173	BUTTON - METAL LOCKING		
20	61172-1	BEND PIPE		
21	61171	SEAL RING		
22	61169	SEAL RING		
24	61168-1	LEFT SIDE GUIDE		
25	61123	MOTOR FILTER		
26	61175-1	HOOD ASSEMBLY		
28	61463	FOOT PEDAL ASSEMBLY		
29	61681	TORQUE SPRING (RH) - PKGD		
30	61214	REARWHEEL ASSEMBLY		
31	61170-1	BASE ASSEMBLY - PACKAGED		
33	61164	FRONT WHEEL ASSEMBLY		
34	61167	FURNITURE GUARD		
35	61465	SQUEEGEE		



Motors - S782AT

Ref #	Part	Description	Comments	Qty
1	61177-1	POWER CORD/S782AT		
2	61183-1	WIRE - CONNECTING		
3	61195	ELECTRICAL CONTACT PACKAG		
4	61183-2	WIRE - CONNECTING		
5	61184-1	WIRE - TERMINATED		
6	61184-3	WIRE - TERMINATED		
7	61187	CLAMP - MOTOR		
8	61186-1	JOINT - NOZZLE PIVOT		
10	61178	CIRCUIT BOARD		
11	61179-1	MOUNT - FRONT MOTOR		
12	61185-1	MOTOR ASSEMBLY - CARTONED		
13	61184-2	WIRE - TERMINATED		
14	61182-1	MOUNT - REAR MOTOR		
15	61165-6	SCREW PACKAGE		
16	61190	BUTTON - RESET PUSH		
17	61191	SPRING - COMPRESSION		
18	61192	CIRCUIT BREAKER ASSEMBLY		
19	61183-3	WIRE - CONNECTING		
20	61165-4	SCREW PACKAGE		
21	61198-1	NUT PACKAGE		
22	61199-4	SPRING WASHER PACKAGE		
23	61199-1	SPRING WASHER PACKAGE		
24	61194	GEAR		
25	61189-1	FIXED PLATE		
26	61188-1	MOTOR(BRUSH)SC782AT		
27	61184-4	WIRE - TERMINATED		
28	61121	BELT - COG		