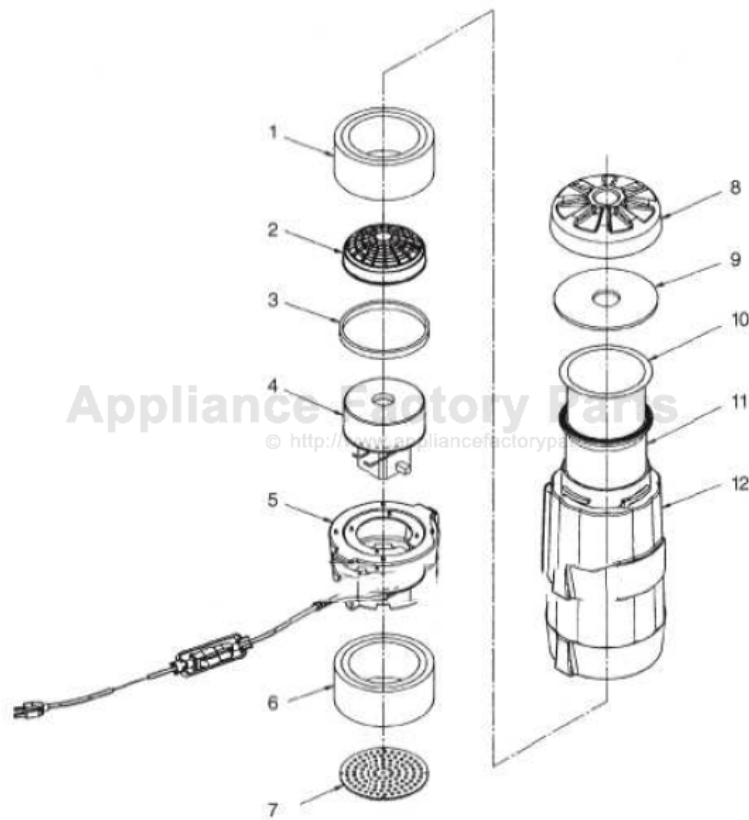


This Owner's Manual is provided and hosted by [Appliance Factory Parts](http://www.appliancefactoryparts.com).



SANITAIRE SC408A Owner's Manual

[Shop genuine replacement parts for SANITAIRE
SC408A](#)



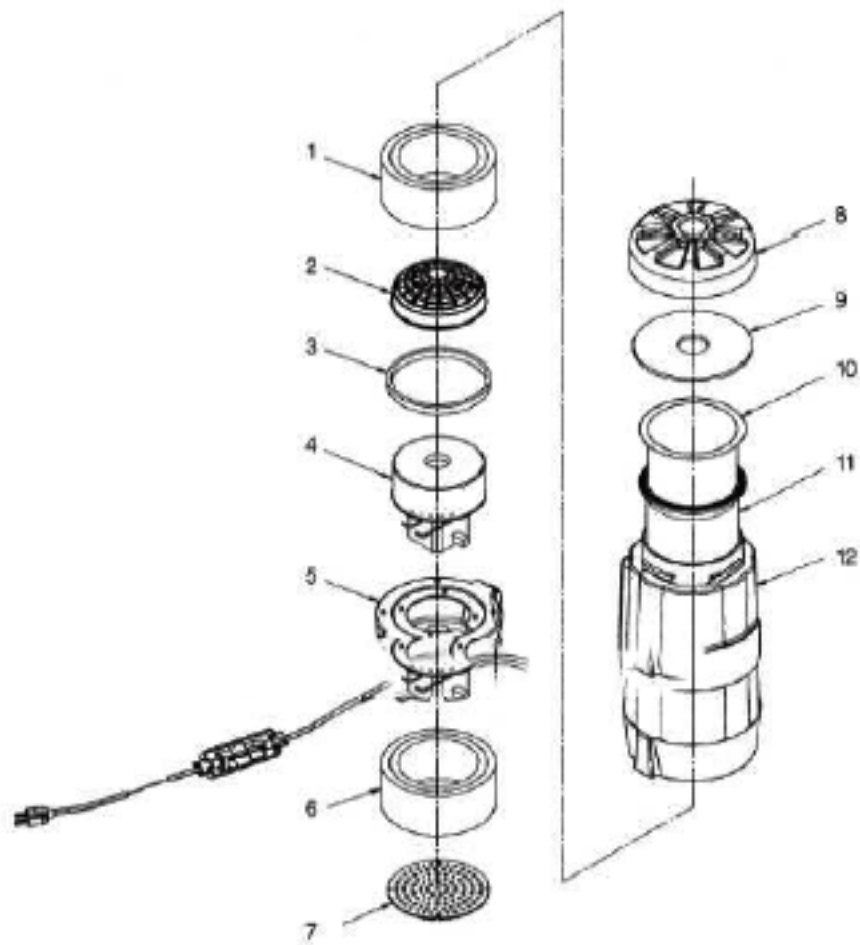
[Find Your SANITAIRE Vacuum Cleaner Parts - Select From 78 Models](#)

----- Manual continues below part list -----

Available Replacement Parts for SANITAIRE SC408A

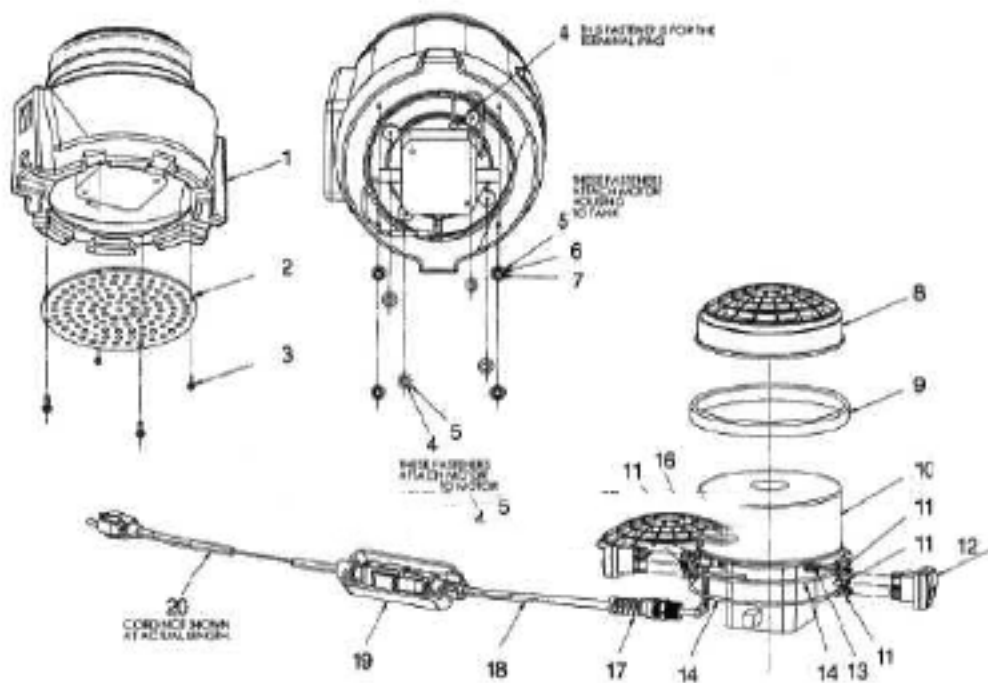
[HWF-62](#)

HOLMES WICK FILTER



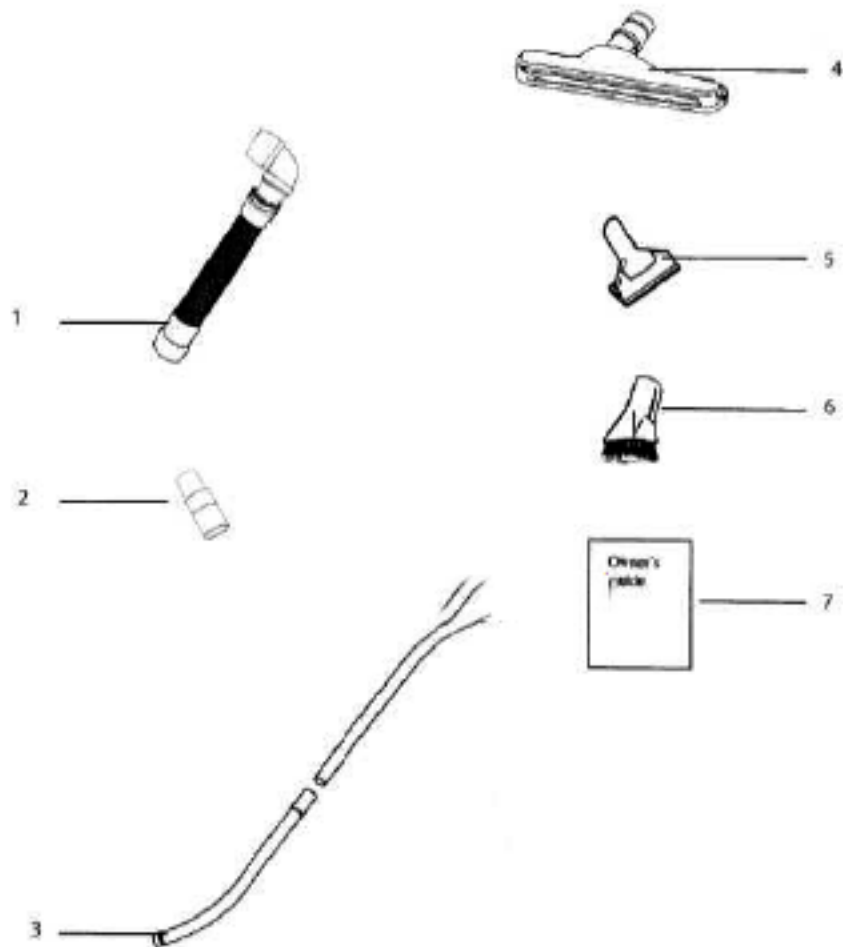
MAIN BODY - SC408A

Ref #	Part	Description	Comments	Qty
1	G047			
2	G048	CAP, FILTER DOME		
3	G125	O-RING, VACUUM SEAL		
4	C368	MOTOR, BAC VAC		
5	P772			
6	G047			
7	G123			
8	P770			
9	G143	GASKET, BAC VAC LID		
10	G2112	PAPER BAG PACKAGE BV-1 10		
11	G140	BAG, CLOTH RING FILTER		
12	P771			



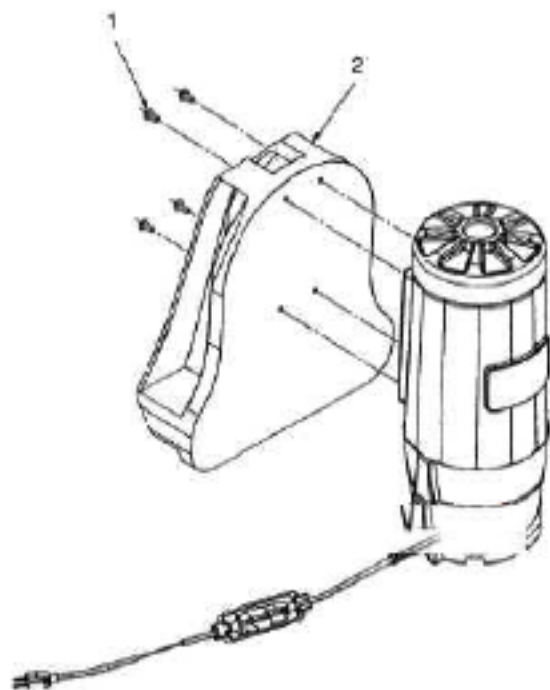
BODY - SC408A

Ref #	Part	Description	Comments	Qty
1	P772			
2	G123			
3	H297	SCREW #8 X 1/2" SELF TAPP		
4	H32			
5	H289	#10 FLAT WASHER		
6	H877			
7	H206	SCREW, #10-32 X 5/8" HEX		
8	G048	CAP, FILTER DOME		
9	G125	O-RING, VACUUM SEAL		
10	C368	MOTOR, BAC VAC		
11	E508	TERMINAL (FLAG 14-16 GAGE		
12	E547	SWITCH		
13	E609	THERMOSTAT		
14	EWBK1410			
15	E507			
16	E502	TERMINAL RING #10 16-14		
17	H856	STRAIN RELIEF, 3/8"mpt		
18	E548	PIGTAIL POWER CORD		
19	G131	CORD CONNECTOR		
20	E535	EXTENSION CORD, 50' X 16'		



ACCESSORIES - SC408A

Ref #	Part	Description	Comments	Qty
1	39946-2	HEAVY DUTY HOSE ASSEMBLY		
2	73598	REDUCER - TRANSITION		
3	39950	SET - ALUMINUM WAND		
4	39949	TOOL - CARPET/FLOOR		
5	38284-3	UPHOLSTERY NOZZLE ASSEMBL		
6	54505-3	DUSTING BRUSH - PACKAGED		
7	73011			



HARNES ASSEMBLY - SC408A

Ref #	Part	Description	Comments	Qty
1	G351			
2	G124	HARNES ASSEMBLY, BAC VAC		