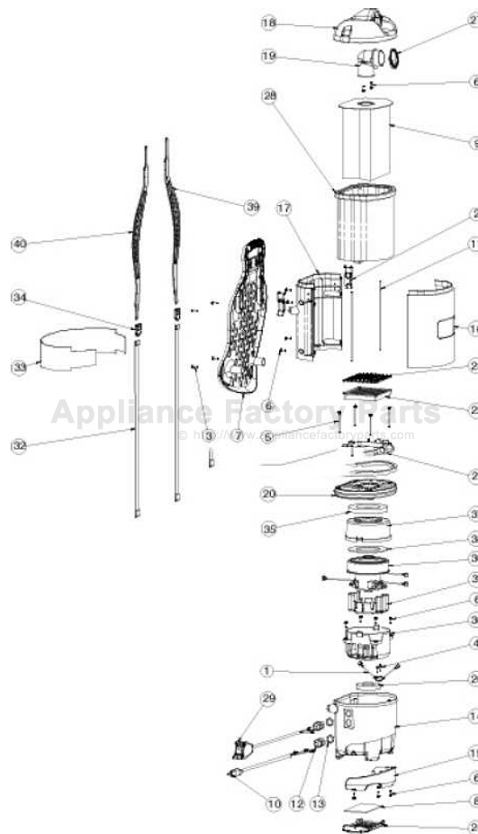


This Owner's Manual is provided and hosted by [Appliance Factory Parts](#).



SANITAIRE SC412 Owner's Manual

[Shop genuine replacement parts for SANITAIRE SC412](#)



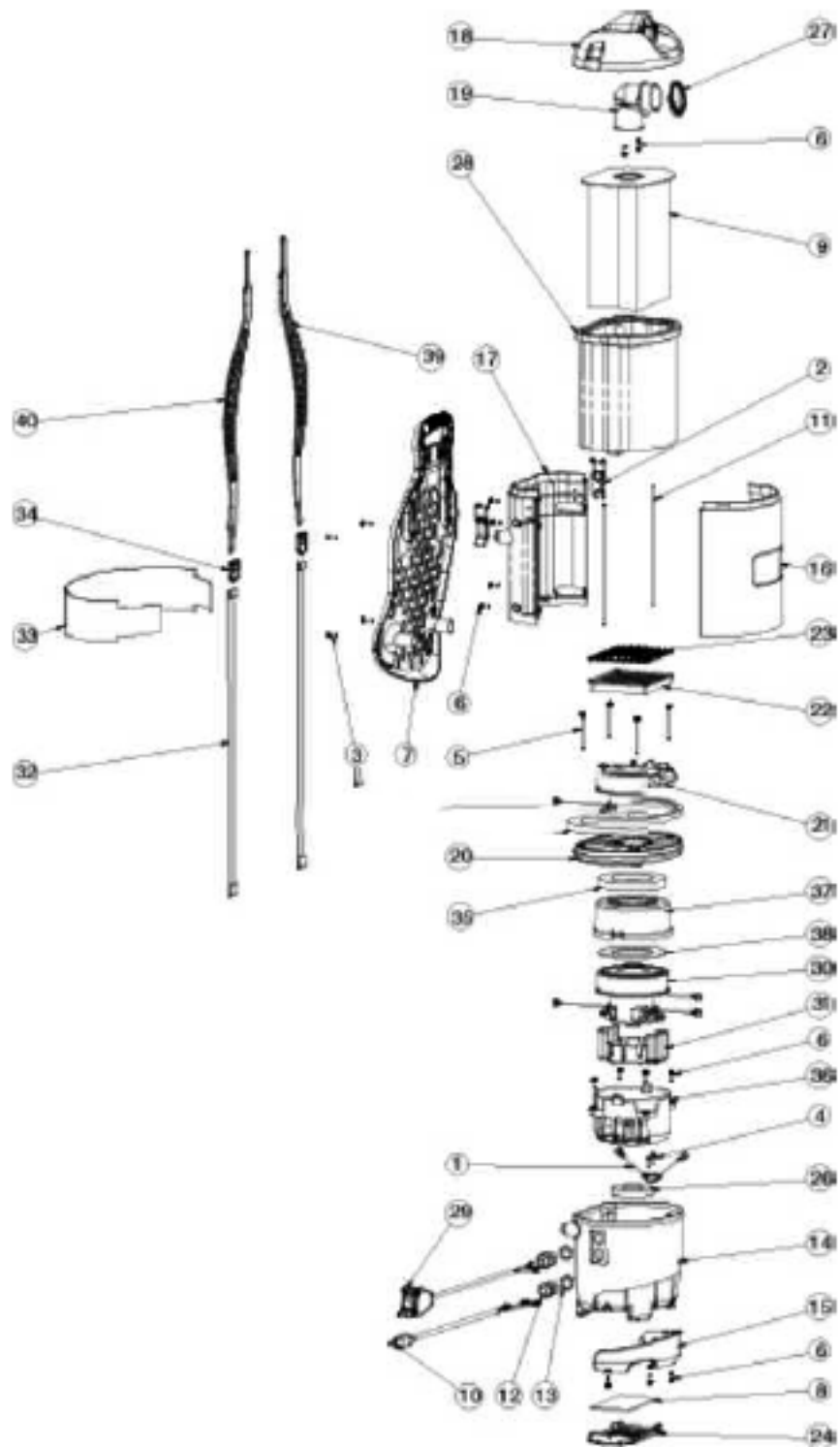
[Find Your SANITAIRE Vacuum Cleaner Parts - Select From 78 Models](#)

----- Manual continues below part list -----

Available Replacement Parts for SANITAIRE SC412

[E-B352-3900](#)

WAND SET (BACK PACK)



Ref #	Part	Description	Comments	Qty
1	A328-1400	THERMAL PROTECTION SWITCH		
2	A352-3300	LATCH		
7	B352-1314	BACK REST		
8	B352-2400	POST FILTER		
9	E2370-24	PAPER BAG PKG BV-2 10 PAC		
10	B352-3200	POWER HARNESS		
11	B352-6100	BAG COMPARTMENT SEAL		
12	B352-6800	STRAIN RELIEF		
13			Included with item 12.	
14	B352-0100	MOTOR COMPARTMENT		
15	B352-0200	BUMPER		
16	B352-0300	FRONT PLATE		
17	B352-0400	BACK PLATE		
18	B352-0500	COVER		
19	B352-0600	HOSE INLET		
20	B352-0700	MOTOR COVER		
21	B352-0800	SECONDARY FILTER PLATE		
22	B352-5200			
23	B352-1000	SECONDARY FILTER CAP		
24	B352-1100	POST FILTER FRAME		
25	B352-1200	BODY SEAL		
26	B352-1900	BOTTOM MOTOR MOUNT		
27	B352-4800	INLET SEAL		
28	C352-1400	SHAKE OUT BAG		
29	C352-2800	SWITCH HARNESS		
30	A113-2600	MOTOR, SINGLE STAGE		
31	B113-0915	TEK MOTOR SHROUD		
32	B352-5800	SHOULDER HARNESS STRAP		
33	B352-6600	WAIST BELT		
34	B352-6700	SHOULDER STRAP BUCKLE		
35	B352-1800	TOP MOTOR MOUNT		
36	B352-5300	MTR SHROUD BTM 5.1 - 1 S		
37	B352-5400	MOTOR SHROUD TOP 5.1 - 1		
38	B352-5500	MOTOR SEAL		
39	B352-5600	SHOULDER STRAP, RIGHT		
40	B352-5700	SHOULDER STRAP, LEFT		
41	A352-9401	SHLDR STRP, RVT (NUT) FEM	Not pictured.	
42	A352-9402	SHLDR STRP, RVT RVT1 LET	Not pictured.	

Ref #	Part	Description	Comments	Qty
1	B352-3900	WAND	Not pictured.	
2	B352-3600	CREVICE TOOL	Not pictured.	
3	B352-3500	UPHOLSTERY TOOL	Not pictured.	
4	C352-499	DUSTING BRUSH	Not pictured.	
5	C352-4100	CARPET NOZZLE	Not pictured.	
6	C352-4400	BARE FLOOR NOZZLE	Not pictured.	
7	C352-6900	HOSE	Not pictured.	
8	A134-0441	50' EXTENSION CORD 16-3 S	Extension cord, not pictured.	