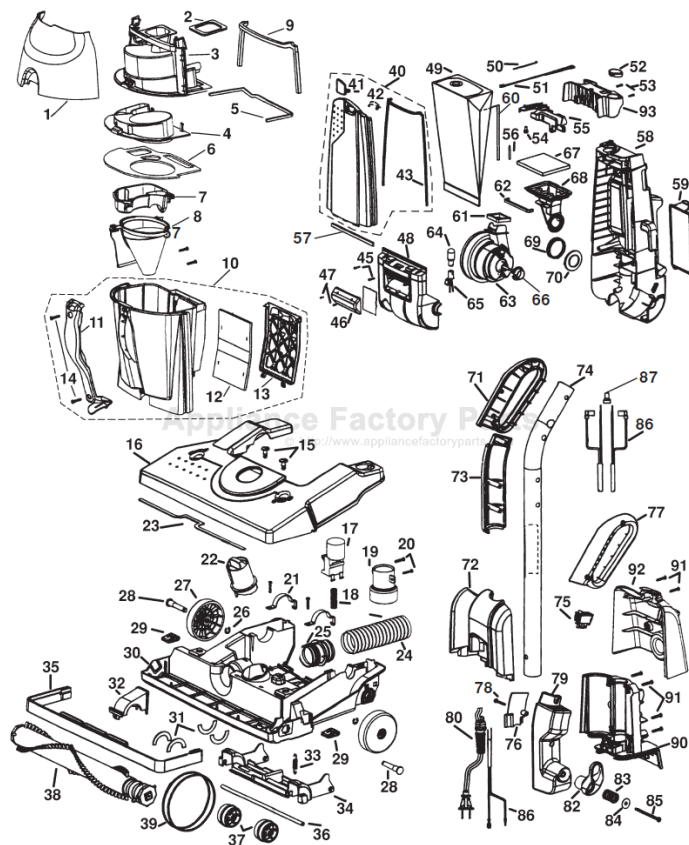


This Owner's Manual is provided and hosted by [Appliance Factory Parts](http://Appliance Factory Parts).



# SANITAIRE SC4570AT Owner's Manual

[Shop genuine replacement parts for SANITAIRE  
SC4570AT](#)



[Find Your SANITAIRE Vacuum Cleaner Parts - Select From 78 Models](#)

----- Manual continues below part list -----

## Available Replacement Parts for SANITAIRE SC4570AT

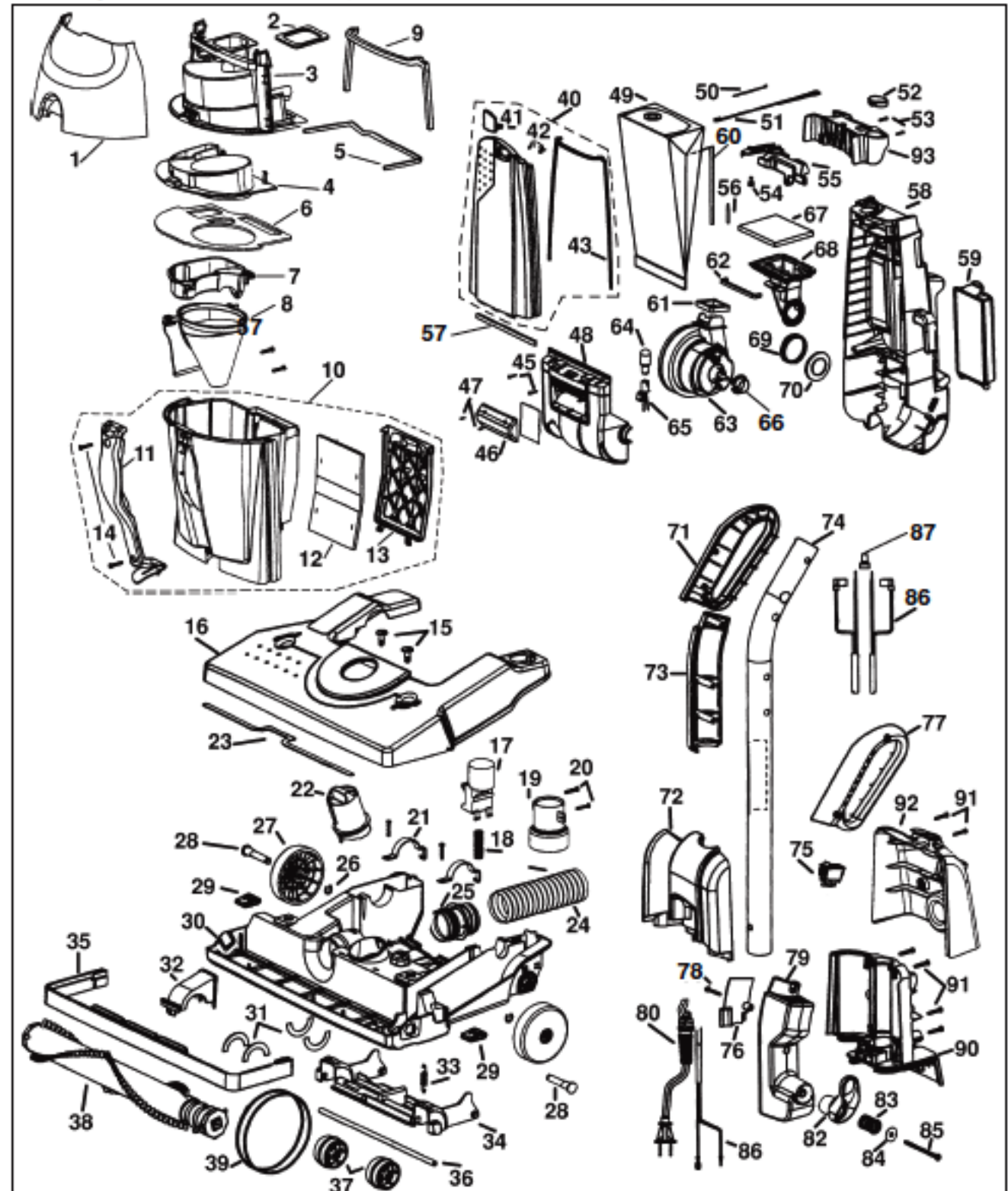
<a href="#">e-39266</a>	BELT OEM EUREKA EXTENED LIFE 1 PACK
<a href="#">ER-1875</a>	EUREKA HF9 HEPA FILTER
<a href="#">E-58236</a>	BAG EUREKA OEM AA 3 PACK
<a href="#">E-28115</a>	EUREKA WHIRLWIND DIRT CUP FILTER
<a href="#">E-54943</a>	Spring,
<a href="#">HR-3500</a>	HEADLIHT BULB
<a href="#">er-1401</a>	paper Bag style AA 3 pk .

# EUREKA Original & Replacement

SANITAIRE

Paper Bag Models SC4570AT, SC4570AT-1, SC4570BT, SC4570BT-1

Dirt Cup Models SC4580AT, SC4580AT-2, SC4580BT, SC4580BT-1



# Original & Replacement **EUREKA**

**SANITAIRE**

**Paper Bag Models SC4570AT, SC4570AT-1, SC4570BT, SC4570BT-1**  
**Dirt Cup Models SC4580AT, SC4580AT-2, SC4580BT, SC4580BT-1**

KEY	PART NO.	DESCRIPTION	KEY	PART NO.	DESCRIPTION
1	E-60704-14	Front Cover Assembly	49	E-58238	Paper Bag Style AA 3 Pk
2	E-39219B	Cyclone Gasket Sheet	49	<b>ER-1401</b>	<b>Paper Bag Style AA 3 Pk</b>
3	E-60705-2	Upper Cyclone Assembly	50	E-46713-5	Cable Tie
4	N/A	Order E-60705-2	51	E-39252-3	Thermocoupling
5	E-59297-2SV	Gasket	52	E-70133-119N	Tool Caddy Bushing
6	N/A	Order E-60705-2	53	E-53197-1	Screw
7	E-28099B-333N	Filter Screen	54	<b>SS-3270</b>	<b>Wire Nut</b>
8	E-02311A-333N	Cyclone Funnel	55	E-28290-333N	Retainer Flange
9	E-59852-1	Gasket	56	E-59361A	Adapter Tube
10	E-60706-1	Dirt Cup Assembly	57	E-38813	Gasket
11	E-28131-288N	Dirt Cup Grip	58	E-80944-1	Rear Housing
11	<b>ER-7025</b>	<b>Dirt Cup Grip</b>	59	E-80285	HEPA Filter
12	E-28115	Dirt Cup Filter	59	<b>ER-1825</b>	<b>HEPA Filter</b>
12	<b>ER-1820</b>	<b>Dirt Cup Filter</b>	60	E-59382B	Tube
13	E-28114-119N	Filter Frame	61	E-59137	Motor Exhaust Gasket
14	E-53197-1	Screw Package	62	E-59297SV	Air Duct Gasket
15	E-60940	1/4 Turn Fastener	63	E-80943-1	Motor Assembly
16	E-60249-1	Hood Assembly	64	E-4881E	Light Bulb
17	E-27467A-288N	Handle Release	64	E-59297SV	<b>Light Bulb</b>
18	E-60133	Spring	65	E-80943-1	Headlight Socket
19	E-27468D-119N	Hose Cuff	66	E-39023 <sub>SV</sub>	Grommet
20	E-53197-1	Screw Package	67	E-1559Z	Motor Filter
21	E-38420-2	Clamp	68	E-15408A-119N	Air Duct
22	E-27462B-288N	Height Adjustment Knob	69	E-27171A	Gasket
23	E-58506-3	Gasket	70	E-39023	Motor Intake Flange
24	E-38479-4	Lower Hose	71	E-15597-288N	Handle Grip Right
25	E-28243-316N	Base Adaptor	72	E-15533-308N	Front Handle Housing
26	E-54432	Wheel Retainer	73	E-02349-288N	Switch Housing Right
27	E-39260A-288N	Rear Wheel	74	E-15580	Handle Tube
28	E-38590	Rear Axle	75	E-28073A	Switch
29	E-60939	Receptacle	76	E-59741-316N	Wiring Insulation
30	E-60938-1	Base Assembly	77	E-15596-288N	Handle Grip Left
31	E-70524	Felt Gasket	78	E-80947	Screw
32	E-54376-2	Belt Cover	79	E-02348-288N	Switch Housing Left
33	E-54943	Spring	80	E-38880-19	Cord
34	E-14993B-119N	Front Wheel Carriage		E-53197-1	Screw
35	E-15591-288N	Bumper	82	E-28316-288N	Cord Hook
36	E-58206-1	Front Wheel Axle	83	E-80945	Spring
37	E-39173-119N	Front Wheel	84	E-80946	Washer
38	E-60909-3	Brushroll	85	E-53238-18	Screw
39	E-39266	Belt	86	E-28011-2	Wiring Harness
39	E-61120	Belt 2 Pk	87	<b>SS-3270</b>	<b>Wire Nut</b>
40	E-60937-1	Bag Cover Assembly	89	E-53197-1	Screw
41	E-28256-288N	Latch	90	E-15534-119N	Rear Handle Housing
42	E-38268	Air Deflector	91	E-53197-1	Screw
43	E-58505	Bag Cover Gasket	92	E-15581-119N	Handle Cover
45	E-53197-1	Screw	93	E-15443A-119N	Tool Caddy
46	E-15407-313N	Lens		E-80920-1	Hose Assembly
47	E-60068-2	Screw			
48	E-60942-1	Motor Cover			