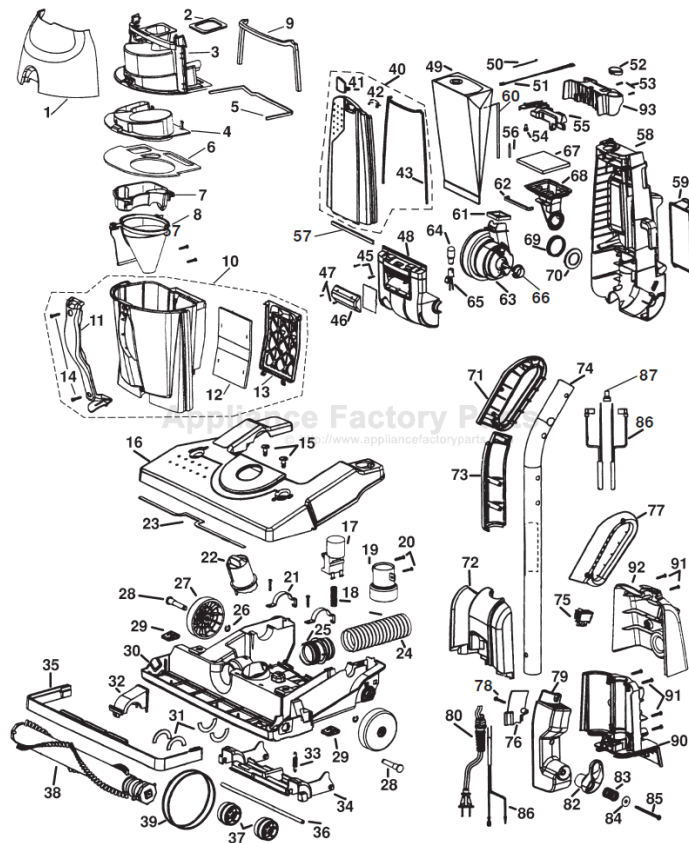


This Owner's Manual is provided and hosted by Appliance Factory Parts.



SANITAIRE SC4580BT Owner's Manual

[Shop genuine replacement parts for SANITAIRE
SC4580BT](#)



[Find Your SANITAIRE Vacuum Cleaner Parts - Select From 78 Models](#)

----- Manual continues below part list -----

Available Replacement Parts for SANITAIRE SC4580BT

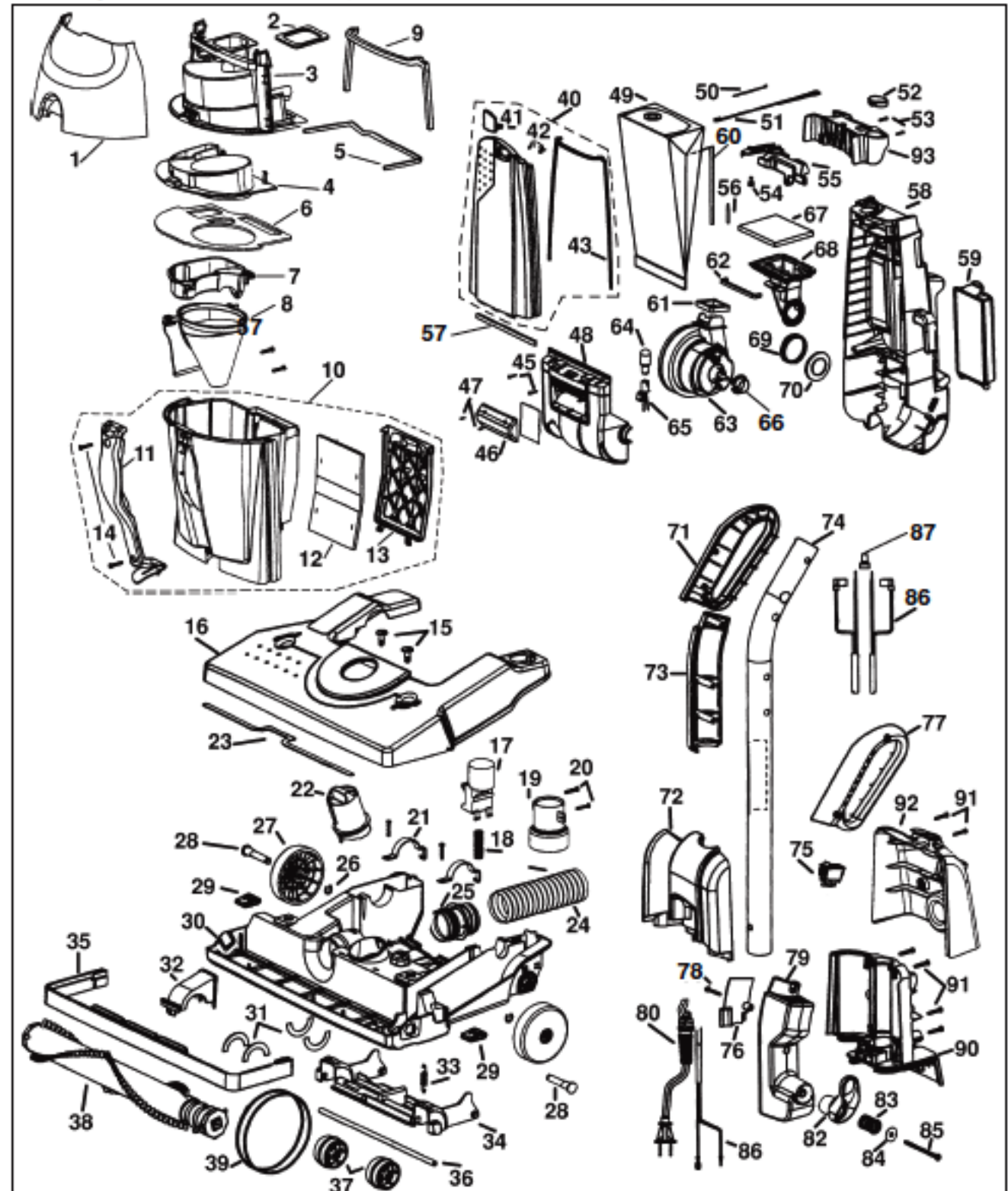
e-39266	BELT OEM EUREKA EXTENED LIFE 1 PACK
ER-1875	EUREKA HF9 HEPA FILTER
E-58236	BAG EUREKA OEM AA 3 PACK
E-28115	EUREKA WHIRLWIND DIRT CUP FILTER
E-54943	Spring,
HR-3500	HEADLIHT BULB
er-1401	paper Bag style AA 3 pk .

EUREKA Original & Replacement

SANITAIRE

Paper Bag Models SC4570AT, SC4570AT-1, SC4570BT, SC4570BT-1

Dirt Cup Models SC4580AT, SC4580AT-2, SC4580BT, SC4580BT-1



Original & Replacement **EUREKA**

SANITAIRE

Paper Bag Models SC4570AT, SC4570AT-1, SC4570BT, SC4570BT-1
Dirt Cup Models SC4580AT, SC4580AT-2, SC4580BT, SC4580BT-1

KEY	PART NO.	DESCRIPTION	KEY	PART NO.	DESCRIPTION
1	E-60704-14	Front Cover Assembly	49	E-58238	Paper Bag Style AA 3 Pk
2	E-39219B	Cyclone Gasket Sheet	49	ER-1401	Paper Bag Style AA 3 Pk
3	E-60705-2	Upper Cyclone Assembly	50	E-46713-5	Cable Tie
4	N/A	Order E-60705-2	51	E-39252-3	Thermocoupling
5	E-59297-2SV	Gasket	52	E-70133-119N	Tool Caddy Bushing
6	N/A	Order E-60705-2	53	E-53197-1	Screw
7	E-28099B-333N	Filter Screen	54	SS-3270	Wire Nut
8	E-02311A-333N	Cyclone Funnel	55	E-28290-333N	Retainer Flange
9	E-59852-1	Gasket	56	E-59361A	Adapter Tube
10	E-60706-1	Dirt Cup Assembly	57	E-38613	Gasket
11	E-28131-288N	Dirt Cup Grip	58	E-80944-1	Rear Housing
11	ER-7025	Dirt Cup Grip	59	E-80285	HEPA Filter
12	E-28115	Dirt Cup Filter	59	ER-1825	HEPA Filter
12	ER-1820	Dirt Cup Filter	60	E-59382B	Tube
13	E-28114-119N	Filter Frame	61	E-59137	Motor Exhaust Gasket
14	E-53197-1	Screw Package	62	E-59297SV	Air Duct Gasket
15	E-60940	1/4 Turn Fastener	63	E-80943-1	Motor Assembly
16	E-60249-1	Hood Assembly	64	E-48815	Light Bulb
17	E-27467A-288N	Handle Release	64	E-59297SV	Light Bulb
18	E-60133	Spring	65	E-80943-1	Headlight Socket
19	E-27468D-119N	Hose Cuff	66	E-39023 _{SV}	Grommet
20	E-53197-1	Screw Package	67	E-15597	Motor Filter
21	E-38420-2	Clamp	68	E-15408A-119N	Air Duct
22	E-27462B-288N	Height Adjustment Knob	69	E-27171A	Gasket
23	E-58506-3	Gasket	70	E-39023	Motor Intake Flange
24	E-38479-4	Lower Hose	71	E-15597-288N	Handle Grip Right
25	E-28243-316N	Base Adaptor	72	E-15533-308N	Front Handle Housing
26	E-54432	Wheel Retainer	73	E-02349-288N	Switch Housing Right
27	E-39260A-288N	Rear Wheel	74	E-15580	Handle Tube
28	E-38590	Rear Axle	75	E-28073A	Switch
29	E-60939	Receptacle	76	E-59741-316N	Wiring Insulation
30	E-60938-1	Base Assembly	77	E-15596-288N	Handle Grip Left
31	E-70524	Felt Gasket	78	E-60947	Screw
32	E-54376-2	Belt Cover	79	E-02348-288N	Switch Housing Left
33	E-54943	Spring	80	E-38880-19	Cord
34	E-14993B-119N	Front Wheel Carriage		E-53197-1	Screw
35	E-15591-288N	Bumper	82	E-28316-288N	Cord Hook
36	E-58206-1	Front Wheel Axle	83	E-60945	Spring
37	E-39173-119N	Front Wheel	84	E-60946	Washer
38	E-60909-3	Brushroll	85	E-53238-18	Screw
39	E-39266	Belt	86	E-28011-2	Wiring Harness
39	E-61120	Belt 2 Pk	87	SS-3270	Wire Nut
40	E-60937-1	Bag Cover Assembly	89	E-53197-1	Screw
41	E-28256-288N	Latch	90	E-15534-119N	Rear Handle Housing
42	E-38268	Air Deflector	91	E-53197-1	Screw
43	E-58505	Bag Cover Gasket	92	E-15581-119N	Handle Cover
45	E-53197-1	Screw	93	E-15443A-119N	Tool Caddy
46	E-15407-313N	Lens		E-60920-1	Hose Assembly
47	E-60068-2	Screw			
48	E-60942-1	Motor Cover			