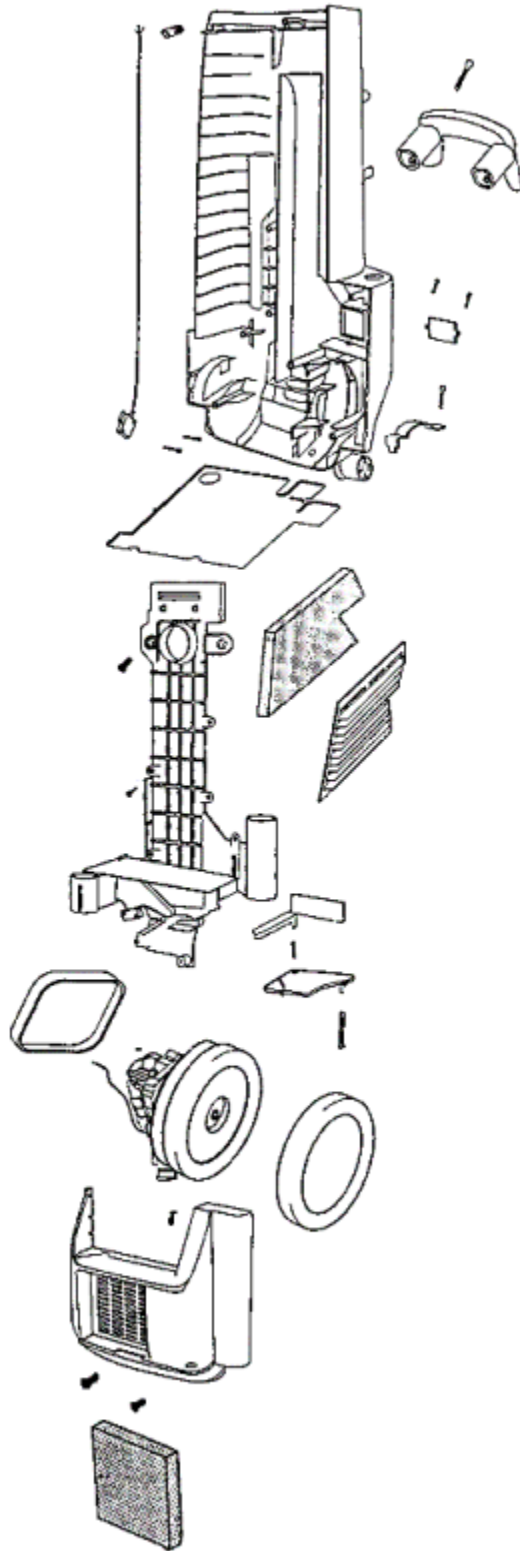




5983 PAPER BAG - STYLE "M" 3 PAK
5486 CLOTH Y-COMMERCIAL BAG

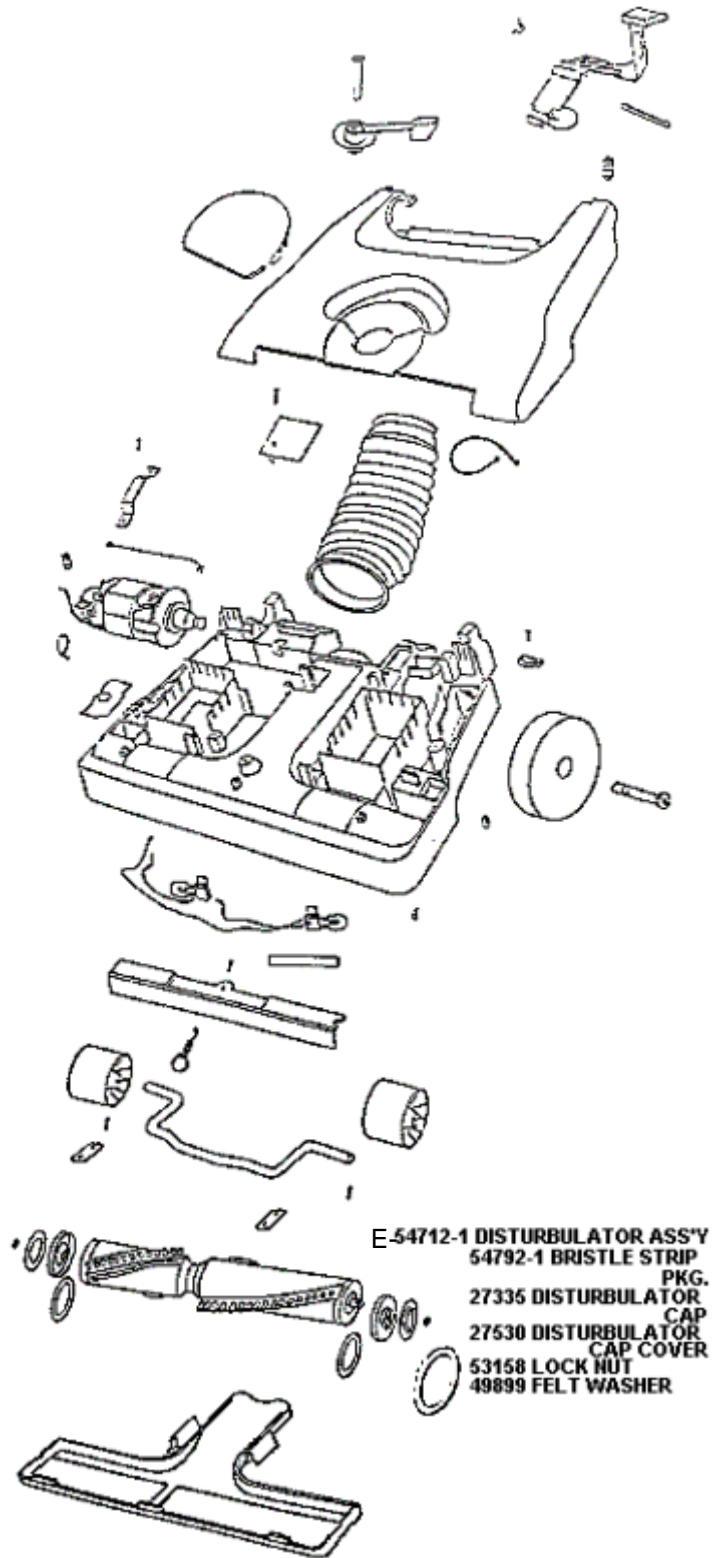
PARTS3 - SC6484AT

Ref #	Part	Description	Comments	Qty
1	E-02119-1	HANDLE ASSEMBLY		
2	E-27514	LATCH - BAG COVER (NLA)		
3	E-27515-1	CLIP - HOSE		
4	E-27521-1	COMMERCIAL CORD ASSEMBLY		
5	E-35293-8	GRIP - HANDLE		
6	E-37761-2	BAG INDICATOR ASSEMBLY		
7	E-38348-2	SWITCH - ROCKER		
8	E-53238-1	SCREW PACKAGE		
9	E-53238-37	SCREW PACKAGE		
10	E-54686	CLOTH BAG (Y) (NLA)		
11	E-54711	PACKAGE - SPRING		
12	E-56750	CLIP - BAG INDICATOR		
13	E-58183	BAGS Y PAK		
14	E-58393	BUSHING - STRAIN RELIEF		



PARTS2 - SC6484AT

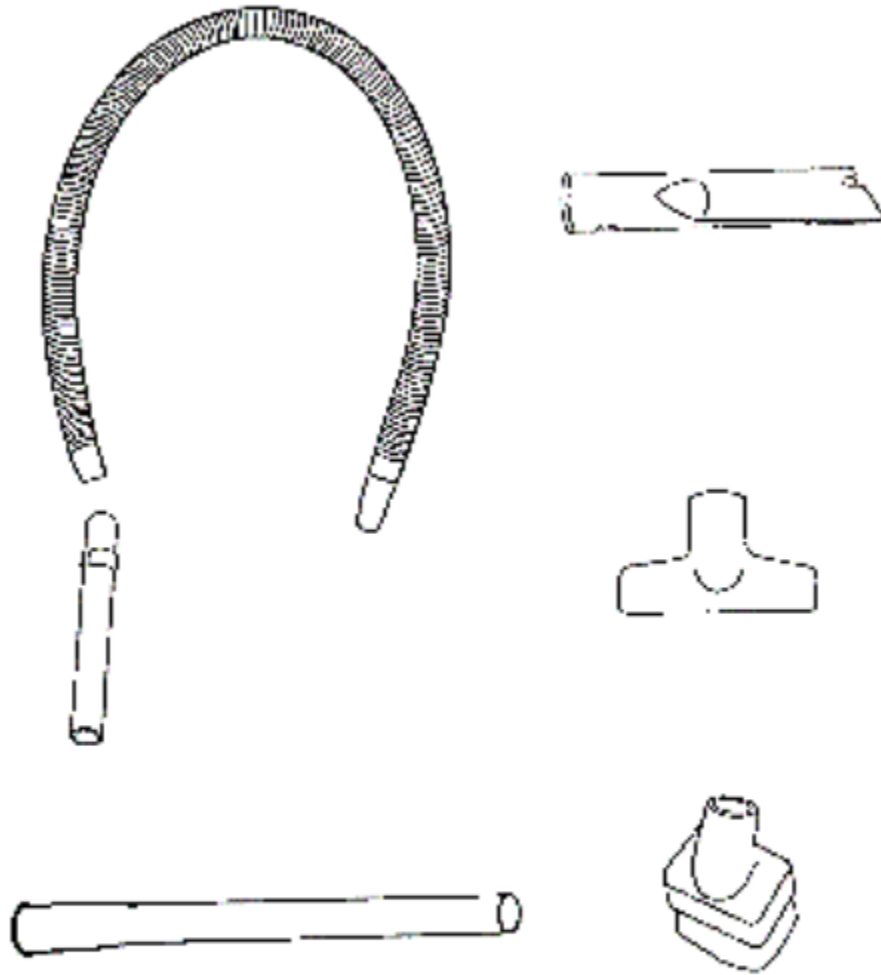
Ref #	Part	Description	Comments	Qty
1	E-02016-1	COVER - DIRT CHUTE		
2	E-14909-1	HANDLE - CARRYING		
3	E-14966	GASKET - ACCESS DOOR		
4	E-14967-1	ACCESS DOOR ASSY		
5	E-27345	ARM - CONVERTER (NLA)		
6	E-27384	FILTER - MOTOR		
7	E-27385	FRAME - FILTER		
8	E-27410	SWITCH - MICRO SNAP		
9	E-27414-1	REAR HOUSING ASSEMBLY		
10	E-27536	FILTER - FINAL		
11	E-27666	DOOR - CONVERTER VALVE		
12	E-38243-1	CLAMP - MOTOR (NLA)		
13	E-38410	SHIELD-MTR (NLA)		
14	E-53214-2	WIRE SPLICE 5		
15	E-53238-28	SCREW PKG (NLA)		
16	53238-32	SCREW PACKAGE		
17	53238-33	SCREW PACKAGE (NLA)		
18	53238-34	SCREW PACKAGE		
19	53238-35	SCREW PACKAGE		
20	53238-4	SCREW PACKAGE		
21	54669	SCREW PACKAGE		
22	E-54710	SPRING-PKG 5 (NLA)		
23	E-54713	MOTOR ASSEMBLY - PKGD		
24	E-55463	GASKET - MOTOR STACK		
25	E-58325-1	MOTOR COVER KIT - COMM		



PARTS1 - SC6484AT

Ref #	Part	Description	Comments	Qty
1	E-02017-1	PLATE - SOLE		
2	E-26270-3	WHEEL - REAR (26270- (NLA)		
3	E-27335	DISTURBULATOR CAP		
4	E-27376	LAMP SOCKET & HARNESS ASS		
5	E-27405	PEDAL - FOOT		
6	E-27483-5	ADJUSTMENT COVER & GRPHCS		
7	E-27530	CAP - COVER		
8	E-27541-1	LOWER CORD ASSY (NLA)		
9	E-35859A-1	WHEEL - FRONT		
10	E-38392	AXLE		
11	E-38407	CAP - FOOT PEDAL (NLA)		
12	E-38457	AXLE - FRONT		
13	E-46713	TIE - CABLE (PURCHASED)		
14	E-46713-2	TIE - CABLE (PURCHASED)		
15	E-49899	WASHER - FELT		
16	E-53076-2	SPRING & AXLE PACKAGE (6)		
17	E-53158	LOCK NUT PACKAGE		
18	E-53201	AXLE CLAMP - PACKAGED		
19	E-53214-1	WIRE NUTS/PKG 10		
20	E-53238-11	SCREW PACKAGE		
21	E-53238-4	SCREW PACKAGE		
22	E-54343-3	MOTOR ASSEMBLY - PACKAGED		
23	E-54705-3	HOOD ASSY - PKG (NLA)		
24	E-54706-2	BASE REPLACEMENT KIT		
25	E-54707	PUSH ON NUT-PKG 10		
26	E-54708	SPRING-PKG 10 (NLA)		
27	E-54709	PACKAGE - PRONG LOCK RETA		
28	E-54712-1	ROLL ASSEMBLY REPLACEMENT		
29	E-54792-1	BRISTLE STRIP SET - PACKA		
30	E-57940	LAMP - HEADLIGHT		
31	E-58244	SCREW - HEIGHT ADJ (NLA)		
32	E-58295	CLAMP CABLE		
33	E-58298	PIN - FOOT PEDAL		
34	E-58323-1	COVER - PULLEY		
35	E-58327-1	LEVER - ADJUSTMENT		
36	E-58427	SLEEIVING		

E-54691-1 HOSE ASS'Y COMPLETE
E-54692-1 HOSE W/COUPLING ONLY



**HDWE
PKG**

ACCESSORIES - SC6484AT

Ref #	Part	Description	Comments	Qty
1	E-14070-3	WAND - STRAIGHT		
2	E-14990-2	WAND ASSY		
3	E-54355-3	TOOL - CREVICE		
4	E-54505-1	DUSTING BRUSH - PACKAGED		
5	E-54506-1	UPHOLSTERY NOZZLE ASSEMBL		
6	E-54691-1	HOSE ASSY - CRTND		
7	E-54692-1	HOSE ASSY - CRTND		
8	E-58068	PACKAGE - HARDWARE		