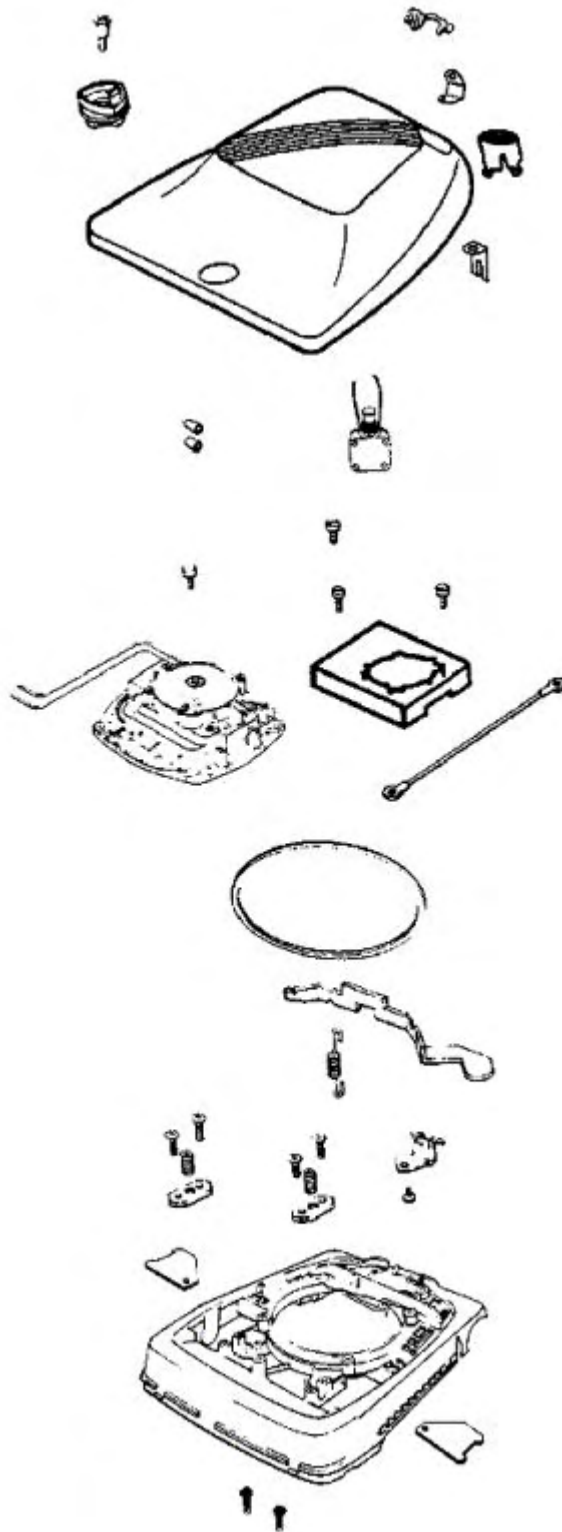


Handle - SC695A

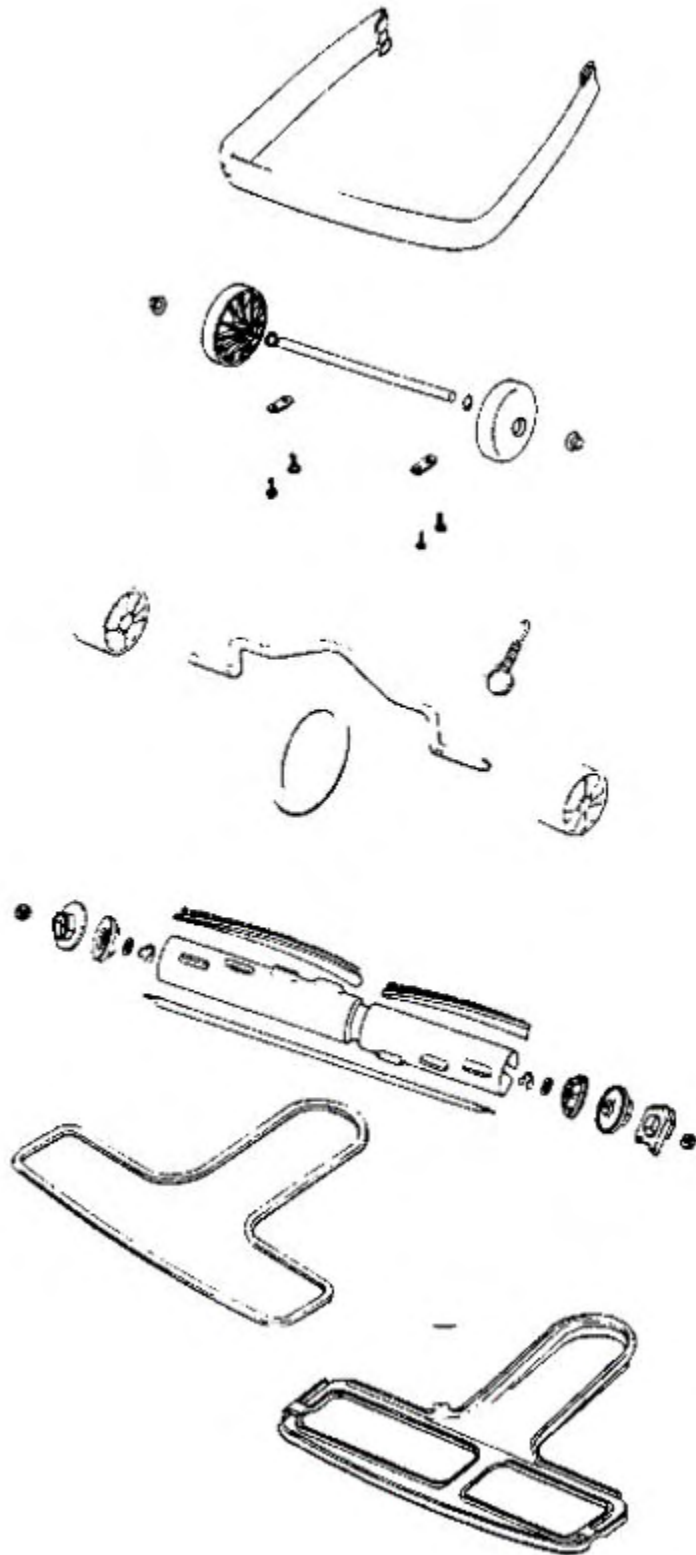
Ref #	Part	Description	Comments	Qty
1	E-12637-2	TUBE - HANDLE (LOWER)		
2	E-25329-35SV	HANDLE ASSEMBLY (UPPER)		
3	E-35293-8	GRIP - HANDLE		
4	E-38183-1	HANDLE SOCKET ASSY		
5	E-38495	SPRING - STRAIN RELIEF PK		
6	E-52370-12	CORD & TERMINAL ASSY-FB-5		
7	E-53145	BOLT PACKAGE (10)		
8	E-53198-1	HANDLE SCREW ASSY PACKAGE		
9	E-53213-5	NUTS - PACKAGE 10		
10	E-53228-2	SCREWS - PACKAGE 10		
11	E-53238-13	SCREW PACKAGE		
12	E-53574-1	RETNR PKG(UPPER&LOWER)BEIGE		

Base & Hood Assembly - SC695A



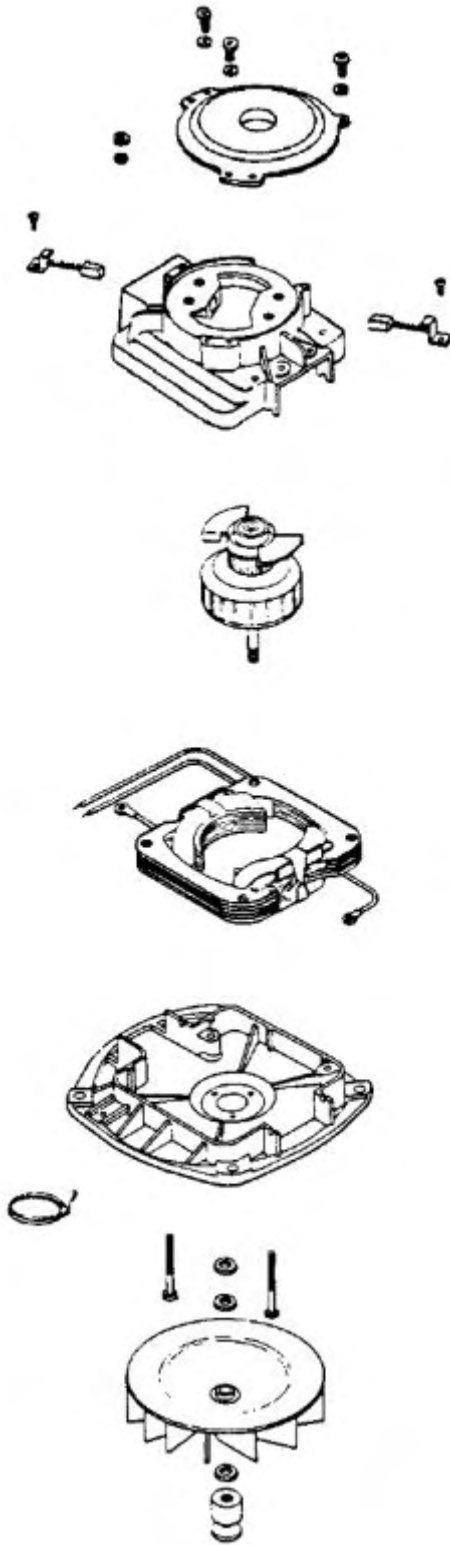
Base & Hood Assembly - SC695A

Ref #	Part	Description	Comments	Qty
1	E-14660-1	BUTTON - SWITCH		
2	E-24834A-1	Discontinued, use 24834A-3		
3	E-24964A	CAM (RIGHT)		
4	E-24965A	CAM (LEFT)		
5	E-30517	GASKET - MOTOR SEAL		
6	E-36263	COVER - WHEEL		
7	E-37034	SPRING - ADAPT RETAINER		
8	E-37989	CLIP - SWITCH		
9	E-38053-2	KNOB ASSEMBLY		
10	E-38067	SEPARATOR ASSEMBLY		
11	E-38218-1	BRACKET - BUSHING		
12	E-53097	SPRING - FOOT PEDAL PKG (
13	E-53118	RIVET - SHOULDER PACKAGE		
14	E-53122	STRAIN RELIEF BUSHING - P		
15	E-53133	STL WASHERS-PKG (48495 (NLA)		
16	E-53140	CLAMP & SCREW ASSY PKG		
17	E-53143	SCREW PACKAGE (10)		
18	E-53214-1	WIRE NUTS/PKG 10		
19	E-53215-4	SCREW PACKAGE		
20	E-53238-11	SCREW PACKAGE		
21	E-53238-13	SCREW PACKAGE		
22	E-26808-3	BUTTON - SWITCH		
23	E-54151-3	SWITCH		
24	E-54177	WIRE & TERMINAL ASSY		
25	E-54314-2	HOOD & GRAPHICS ASSY		
26	E-54352-3	MOTOR ASSEMBLY - PACKAGED		
27	E-54410-6	BASE ASSEMBLY - 12 INCH		



Furniture Guard & Brushroll - SC695A

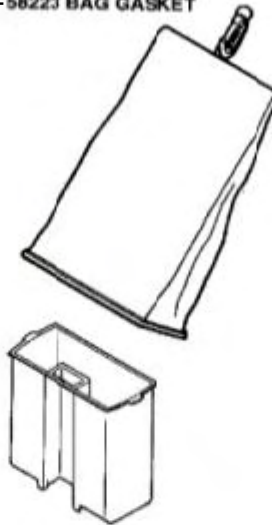
Ref #	Part	Description	Comments	Qty
1	E-13236-3	TUBE - DISTURBULATOR		
2	E-25922-1	BOTTOM PLATE ASSEMBLY		
3	E-25937	SHAFT - DISTURBULATOR		
4	E-26057A	CAP - DISTURBULATOR		
5	E-26059A	CAP - COVER		
6	E-26242-1	REAR WHEEL use 26242-119N		
7	E-26296-9	BUMPER		
8	E-35859A-1	WHEEL - FRONT		
9	E-35947A	AXLE - FRONT		
10	E-37183	AXLE - REAR		
11	E-37234-1	WHEEL & AXLE ASSY		
12	E-46538	TAPE-FOAM (use 46538-4)		
13	E-49899	WASHER - FELT		
14	E-52100	BELT PKG ASSY (UPRIGHT)		
15	E-52282-4	BRISTLE STRIP PACKAGE		
16	E-53076-2	SPRING & AXLE PACKAGE (6)		
17	E-53110	WASHER - WHEEL PACKAGE (1)		
18	E-53121	PUSH NUT PACKAGE (10)		
19	E-53158	LOCK NUT PACKAGE		
20	E-53184	KLIPRING PACKAGE		
21	E-53201	AXLE CLAMP - PACKAGED		
22	E-53238-11	SCREW PACKAGE		
	E-53270	DISTURBULATOR ASSEMBLY		
24	E-54256	BRG & RET ASSY		



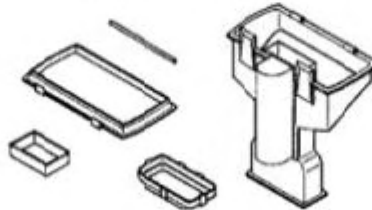
Motor - SC695A

Ref #	Part	Description	Comments	Qty
1	E-12988	FAN BLOWER - MOTOR		
2	E-20217E	RETAINER - UPPER BEARING		
3	E-30474A	FAN - MOTOR COOLING		
4	E-30478	MOTOR BRUSH ASSEMBLY		
5	E-37012-2	PULLEY - MOTOR DRIVE		
6	E-42875	BEARING RETAINER ASSY-W/L		
7	E-53088-1	BALL BEARING - PACKAGE		
8	E-53138	SCREWS - PACKAGE 10		
9	E-53142	SCREW PACKAGE (10)		
10	E-53148	WASHER - FAN PACKAGE (10)		
11	E-53187-1	RIVET PACKAGE		
12	E-53188-1	WASHER PACKAGE		
13	E-53213-4	NUTS - PACKAGE 10		
14	E-53219-2	SCREWS - PACKAGE 10		
15	E-53222-3	LOCKWASHERS - PACKAGE 10		
16	E-53441-2	FIELD ASSEMBLY - PACKAGED		
17	E-54169-1	MOTOR BASE ASSEMBLY		
18	E-54395-4	ARMATURE, FAN & BRG ASSY-		
19	E-54396	MOTOR COVER ASSEMBLY - LA		
20	E-56802-2	TIE - CABLE (PURCHASED)		

E-54422-10 BAG ASS'Y.
E-58223 BAG GASKET



E-14844-12 DIRT CUP ASS'Y. (INCLUDES)
54561-1 DIRT CUP SUPPORT
& LATCH ASS'Y.
55399-1 COVER PIN
14765-1 BAG FLANGE
38289 GASKET
26266-2 CLAMP
01959-313N DIRT CUP



57838B-1 HARDWARE PKG.

2-HANDLE SCREW ASS'Y.
2-BAG SCREW
1 CABLE CLAMP
1-SCREW

Bag and Dust Cup - SC882A

Ref #	Part	Description	Comments	Qty
1	E-54422-10	BAG ASSEMBLY - PACKAGED		
2	E-58223	GASKET - DIRTCUP		
3	E-14844-12	DIRT CUP ASSEMBLY		
4	E-54561-1	SUPPORT & LATCH ASSY - PK		
5	E-55399-1	PIN COVER		
6	E-14765-1	FLANGE - BAG (OUTER)		
7	E-38289	GASKET		
8	E-26266-2	CLAMP		
9	E-01959-313N	DIRT CUP		
10	E-57838B	HARDWARE PACKAGE - DIRT C		
	E-78091	Owners Guide		