

Handle - SC882A

Ref #	Part	Description	Comments	Qty
1		Label		
2	E-53238-18	SCREW PACKAGE		
3	E-60946	WASHER - PACKAGED		
4	E-60945	SPRING - PACKAGED		
5	E-28316-355N	RETAINER - CORD		
6	E-53197-1	SCREW PACKAGE		
7	E-76643-355N	HOUSING - SWITCH (LH)		
8	E-28073A	SWITCH - ROCKER		
9	E-76767	UPPER CORD ASSY.		
10	E-60192-1	WIRE SPLICE 5		
11	E-59741-316N	SHIELD - WIRING		
12	E-60947	SCREWS - PACKAGED		
13	E-76644-355N	HOUSING - SWITCH (RH)		
14	E-36577A-23	SUPPLY CORD ASSY		
15	E-15774-2SV	UPRIGHT HANDLE & GRIP ASS		
16	E-76644-355N	HOUSING - SWITCH (RH)		
17	E-76224	CORD - EXTENSION (50FT)	Extension cord not pictured	
18	E-76225-355N	CORD LOCK	Extension cord lock not pictured	
Not Pictured	E-38183-1SV	HANDLE SOCKET ASSEMBLY		
	E-36439	SHIELD - HANDLE SOCKET		

E-54097-5 HOOD & NAMEPLATE ASS'Y.
77147 NAMEPLATE



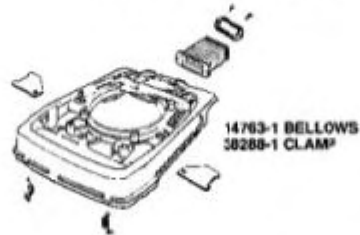
56383-1SV AIR INLET DUCT ASS'Y. (R.H.)
49052-3 FOAM TAPE



56382-1SV AIR INLET DUCT ASS'Y.
49052-3 FOAM TAPE



E-53425-24 BASE ASS'Y.
NOT ILLUSTRATED
24964A CAM (R.H.)
24966A CAM (L.H.)
53118 RIVET-CAM PKG. 10 2 USED
53133 WASHER PKG. 10 2 USED

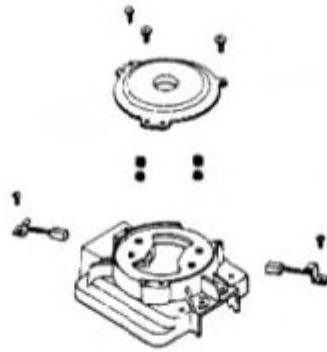


E-52334 FAN CHAMBER REPLACEMENT KIT (INCLUDES)
30517 MOTOR SEAL GASKET
13770-1 FAN CHAMBER COVER
53238-17 SCREW
PKG. 10 2 USED



Base and Hood - SC882A

Ref #	Part	Description	Comments	Qty
1	E-54097-5	HOOD & NAMEPLATE ASSY - P		
2	E-77147			
3	E-53143	SCREW PACKAGE (10)		
4	E-38053-2	KNOB ASSEMBLY		
5	E-53228-2	SCREWS - PACKAGE 10		
6	E-53160	CABLE CLAMP PACKAGE		
7	E-53238-13	SCREW PACKAGE		
8	E-53238-17	SCREW PACKAGE		
9	E-53214-1	WIRE NUTS/PKG 10		
10	E-49052-3	TAPE - FOAM		
11	E-56383-1SV	DUCT ASSEMBLY (R)		
12	E-54352-15	MOTOR ASSEMBLY - PACKAGED		
13	E-30517	GASKET - MOTOR SEAL		
14	E-56382-1SV	DUCT ASSEMBLY (L)		
15	E-53097	SPRING - FOOT PEDAL PKG (
16	E-53238-17	SCREW PACKAGE		
17	E-53140	CLAMP & SCREW ASSY PKG		
18	E-53425-24	BASE ASSEMBLY - CARTONED		
19	E-24964A-1	CAM (RIGHT)		
20	E-24965A-1	CAM (LEFT)		
21	E-53118	RIVET - SHOULDER PACKAGE		
22	E-53133	STL WASHERS-PKG (48495 (NLA)		
23	E-53228-7	SCREWS - PACKAGE 10		
24	E-38288-1	CLAMP - BELLOWS		
25	E-14763-1	BELLOWS		
26	E-36263	COVER - WHEEL		
27	E-53117	SPRING - HOOD PACKAGE (10		
28	E-52334	FAN CHAMBER REPLACEMENT K		
29	E-13770-1	COVER - FAN SCROLL		
30	E-53238-17	SCREW PACKAGE		
31	E-53188	WASHER PACKAGE		
32	E-53213-4	NUTS - PACKAGE 10		
33	E-54173-1	WIRE ASSY (GROUNDING)		
34	E-54177	WIRE & TERMINAL ASSY		



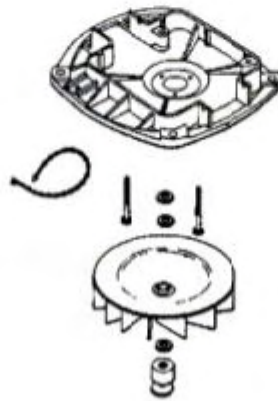
E-54395-4 ARM, FAN & BEARING ASSEMBLY

53088-1 BEARING PKG. 5 1 USED
30474A FAN



E-54169-1 MOTOR BASE ASSEMBLY

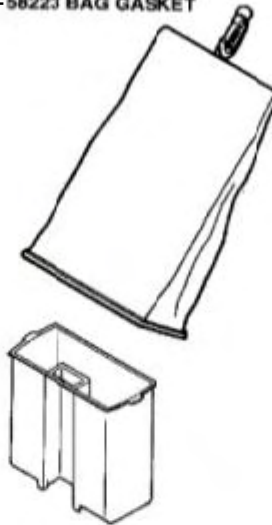
42875 BEARING & RETAINER ASS'Y.
53088-1 BEARING PKG. 5 1 USED
53187-1 RIVET PKG. 10 3 USED



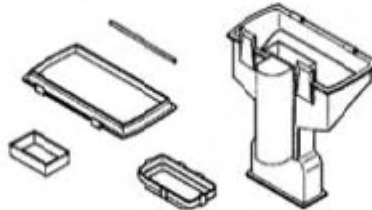
Motor - SC882A

Ref #	Part	Description	Comments	Qty
1	E-53158	LOCK NUT PACKAGE		
2	E-20217E	RETAINER - UPPER BEARING		
3	E-53213-4	NUTS - PACKAGE 10		
4	E-53222-3	LOCKWASHERS - PACKAGE 10		
5	E-53219-2	SCREWS - PACKAGE 10		
6	E-30478	MOTOR BRUSH ASSEMBLY		
7	E-54396	MOTOR COVER ASSEMBLY - LA		
8	E-54395-4	ARMATURE, FAN & BRG ASSY-		
9	E-53088-1	BALL BEARING - PACKAGE		
10	E-30474A	FAN - MOTOR COOLING		
11	E-53441-2	FIELD ASSEMBLY - PACKAGED		
12	E-54169-1	MOTOR BASE ASSEMBLY		
13	E-42875	BEARING RETAINER ASSY-W/L		
14	E-53187-1	RIVET PACKAGE		
15	E-56802-2	TIE - CABLE (PURCHASED)		
16	E-53142	SCREW PACKAGE (10)		
17	E-53148	WASHER - FAN PACKAGE (10)		
18	E-53188-1	WASHER PACKAGE		
19	E-77247-355N	FAN BLOWER - MOTOR		
20	E-37012-2	PULLEY - MOTOR DRIVE		

E-54422-10 BAG ASS'Y.
E-58223 BAG GASKET



E-14844-12 DIRT CUP ASS'Y. (INCLUDES)
54561-1 DIRT CUP SUPPORT
& LATCH ASS'Y.
55399-1 COVER PIN
14765-1 BAG FLANGE
38289 GASKET
26266-2 CLAMP
01959-313N DIRT CUP



57838B-1 HARDWARE PKG.

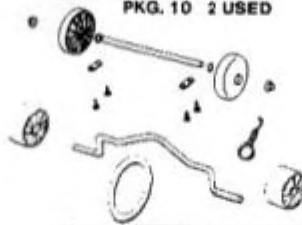
2-HANDLE SCREW ASS'Y.
2-BAG SCREW
1 CABLE CLAMP
1-SCREW

Bag and Dust Cup - SC882A

Ref #	Part	Description	Comments	Qty
1	E-54422-10	BAG ASSEMBLY - PACKAGED		
2	E-58223	GASKET - DIRTCUP		
3	E-14844-12	DIRT CUP ASSEMBLY		
4	E-54561-1	SUPPORT & LATCH ASSY - PK		
5	E-55399-1	PIN COVER		
6	E-14765-1	FLANGE - BAG (OUTER)		
7	E-38289	GASKET		
8	E-26266-2	CLAMP		
9	E-01959-313N	DIRT CUP		
10	E-57838B	HARDWARE PACKAGE - DIRT C		
	E-78091	Owners Guide		



E-37234-3 WHEEL & AXLE ASS'Y. (INCLUDES)
53110 WHEEL WASHER
PKG. 10 2 USED
53121 PUSHNUT
PKG. 10 2 USED



NOTE
PT. NO. 53270
DISTRIBUTOR ASS'Y.
INCLUDES

E-13236-3 DISTRIBUTOR TUBE
52282-4 BRISTLE STRIP ASS'Y.
49899 FELT WASHER
54256 BEARING RETAINER
PKG. 2 2 USED
26057A DISTRIBUTOR CAP
2 USED
53156 LOCK NUT
PKG. 10 2 USED
53184 KLIPRING
PKG. 10 2 USED
25937 SHAFT



E-25922-1 BOTTOM PLATE ASS'Y. (INCLUDES)
46538 FOAM TAPE



Furniture Guard and Brushroll - SC882A

Ref #	Part	Description	Comments	Qty
1	E-37234-5SV	WHEEL & AXLE ASSEMBLY		
2	E-53110	WASHER - WHEEL PACKAGE (1)		
3	E-53121	PUSH NUT PACKAGE (10)		
4	E-76334	FURNITURE GUARD ASSEMBLY		
5	E-76370-3SV			
6	E-37183	AXLE - REAR		
7	E-53201	AXLE CLAMP - PACKAGED		
8	E-53238-11	SCREW PACKAGE		
9	E-53076-2	SPRING & AXLE PACKAGE (6)		
10	E-35859A-1	WHEEL - FRONT		
11	E-35947A	AXLE - FRONT		
12	E-30563A	BELT-DISTURBULATOR DRIVE		
13	E-13236-3	TUBE - DISTURBULATOR		
14	E-52282-4	BRISTLE STRIP PACKAGE		
16	E-54256	BRG & RET ASSY		
15	E-26057A	CAP - DISTURBULATOR		
17	E-53158	LOCK NUT PACKAGE		
18	E-53184	KLIPRING PACKAGE		
19	E-25937	SHAFT - DISTURBULATOR		
20	E-26059A	CAP - COVER		
21	E-54256	BRG & RET ASSY		
22	E-25922-1	BOTTOM PLATE ASSEMBLY		
23	E-46538-4	TAPE - FOAM		
24	E-63233	AXLE BUSHING - PACKAGED		
25	E-53270	DISTURBULATOR ASSEMBLY		