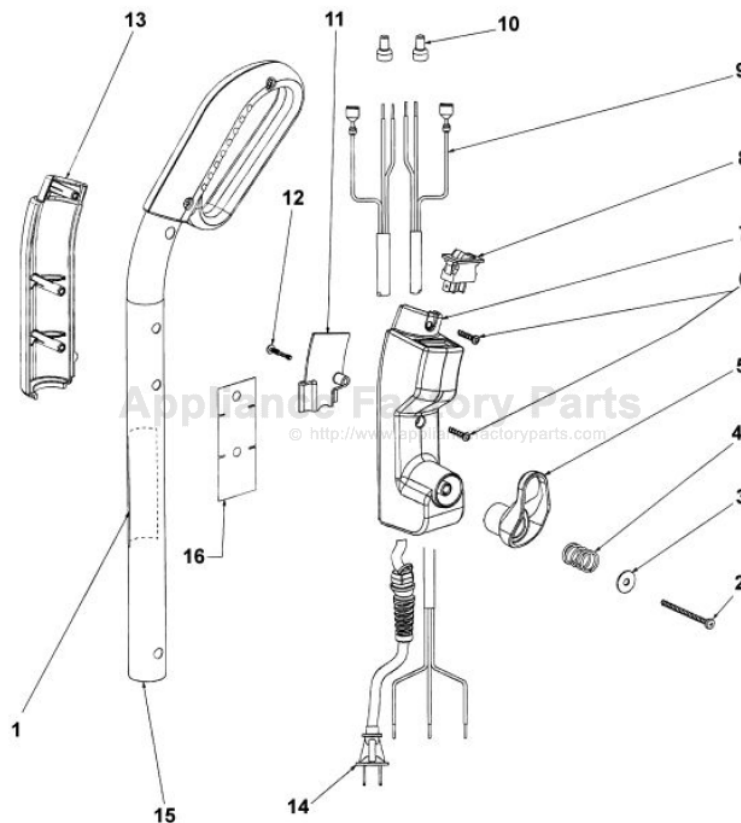


This Owner's Manual is provided and hosted by [Appliance Factory Parts](http://www.appliancefactoryparts.com).



# SANITAIRE SC883A Owner's Manual

[Shop genuine replacement parts for SANITAIRE  
SC883A](#)



[Find Your SANITAIRE Vacuum Cleaner Parts - Select From 78 Models](#)

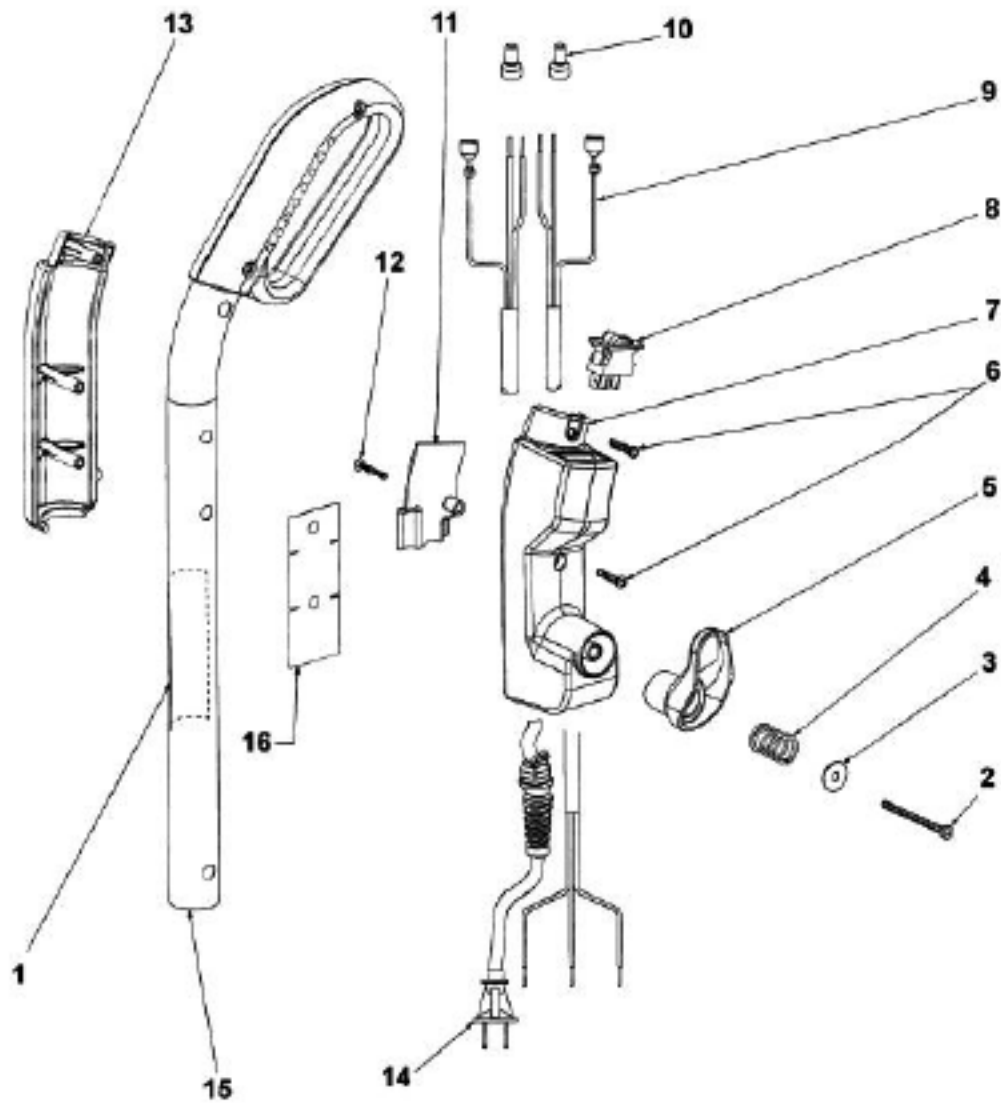
----- Manual continues below part list -----

## Available Replacement Parts for SANITAIRE SC883A

[E-52282-4](#)

Bristle strip Assy. Blue bristle VGII

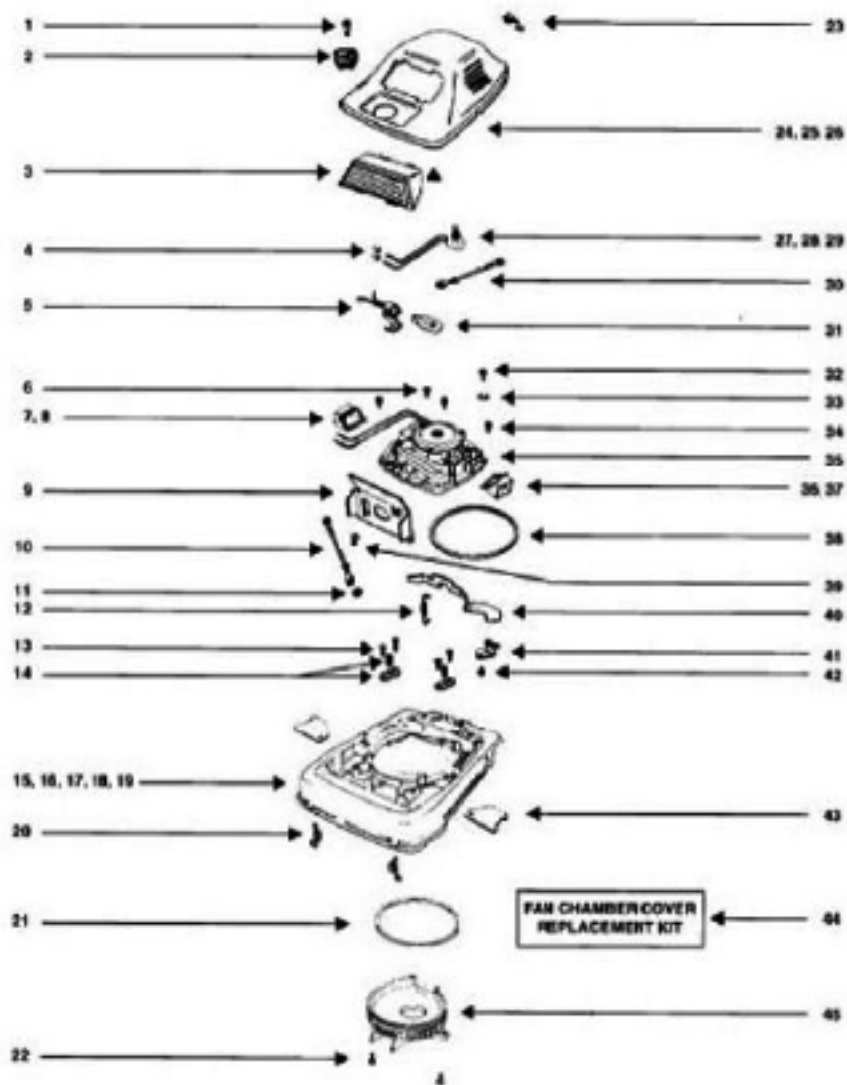
Handle - SC883A



## Handle - SC883A

Ref #	Part	Description	Comments	Qty
1		Label		
2	53238-18	SCREW PACKAGE		
3	60946	WASHER - PACKAGED		
4	60945	SPRING - PACKAGED		
5	28316-355N	RETAINER - CORD		
6	53197-1	SCREW PACKAGE		
7	76643-355N	HOUSING - SWITCH (LH)		
8	28073A	SWITCH - ROCKER		
9	76767	UPPER CORD ASSY.		
10	60192-1	WIRE SPLICE 5		
11	59741-316N	SHIELD - WIRING		
12	60947	SCREWS - PACKAGED		
13	76644-355N	HOUSING - SWITCH (RH)		
14	36577A-23	SUPPLY CORD ASSY		
15	15774-2SV	UPRIGHT HANDLE & GRIP ASS		
16	76644-355N	HOUSING - SWITCH (RH)		
17	76224	CORD - EXTENSION	Extension cord not pictured	
18	76225-355N	CORD LOCK	Extension cord lock not pictured	
	13154B-355N	RETAINER - CORD (LOWER)		
	12637-8	TUBE - HANDLE (LOWER)		

Base and Hood - SC883A



## Base and Hood - SC883A

Ref #	Part	Description	Comments	Qty
1	53143	SCREW PACKAGE (10)		
2	38053-2	KNOB ASSEMBLY		
3		NOT ON THIS MODEL		
4	53214-1	WIRE SPLICE 5		
5		Not On This Model		
6	53238-13	SCREW PACKAGE		
7	56383-1SV	DUCT ASSEMBLY (R)		
8	49052-3	TAPE - FOAM		
9		NOT ON THIS MODEL		
10	54177	WIRE & TERMINAL ASSY		
11	53213-4	NUTS - PACKAGE 10		
12	53097	SPRING - FOOT PEDAL PKG (		
13	53238-13	SCREW PACKAGE		
14	53140	CLAMP & SCREW ASSY PKG		
15	53425-27	BASE ASSEMBLY - CARTONED		
16	24964A-1	CAM (RIGHT)		
17	24965A-1	CAM (LEFT)		
18	53118	RIVET - SHOULDER PACKAGE		
19	53133	STL WASHERS PKG (48495 (NLA)		
20	53117	SPRING - HOOD PACKAGE (10		
21	30517	GASKET - MOTOR SEAL		
22	53238-14	SCREW PACKAGE		
23		NOT ON THIS MODEL		
24	54097-5	HOOD & NAMEPLATE ASSY - P		
25	77147	NAMEPLATE (CONTRACTOR)		
26		NOT ON THIS MODEL		
27		NOT ON THIS MODEL		
28		NOT ON THIS MODEL		
29		NOT ON THIS MODEL		
30	54173-1	WIRE ASSY (GROUNDING)		
31		NOT ON THIS MODEL		
32	53238-14	SCREW PACKAGE		
33				
34	53238-13	SCREW PACKAGE		
35	54352-15	MOTOR ASSEMBLY - PACKAGED		
36	56382-1SV	DUCT ASSEMBLY (L)		
37	49052-3	TAPE - FOAM		
38	30517	GASKET - MOTOR SEAL		
39	53238-11	SCREW PACKAGE		
40	24834A-3	PEDAL - FOOT		
41	37034	SPRING - ADAPT RETAINER		
43	36263	COVER - WHEEL		
44	52334	FAN CHAMBER REPLACEMENT K		
45	13770-1	COVER - FAN SCROLL		



**37234-3 WHEEL & AXLE ASS'Y. (INCLUDES)**

**53110 WHEEL WASHER  
PKG. 10 2 USED**

**37183 REAR AXLE**

**53121 PUSHNUT USED  
PKG. 10 2**



**NOTE  
PT. NO. 53270  
DISTURBULATOR ASS'Y.  
INCLUDES\***

**13236-3 DISTURBULATOR TUBE**

**52282-4 BRISTLE STRIP ASS'Y.**

**49899 FELT WASHER**

**54256 BEARING RETAINER**

**PKG. 2 2 USED**

**25057A DISTURBULATOR CAP**

**53158 LOCK NUT**

**PKG. 10 2 USED**

**53184 KLIPRING**

**PKG. 10 2 USED**

**25937 SHAFT**



**25922-1 BOTTOM PLATE ASS'Y. (INCLUDES)**

**48535 FOAM TAPE**

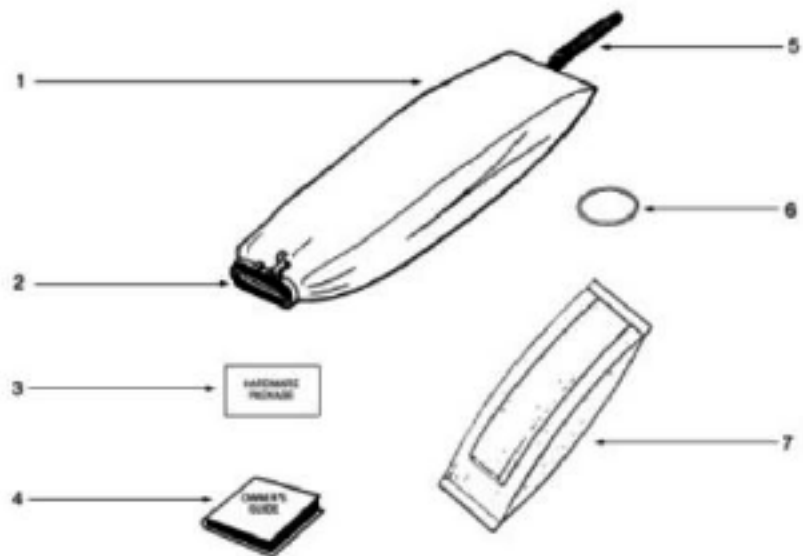


## Furniture Guard and Brush Roll - SC883A

Ref #	Part	Description	Comments	Qty
1	37234-3	WHEEL & AXLE ASSEMBLY		
2	53110	WASHER - WHEEL PACKAGE (1)		
3	37183	AXLE - REAR		
4	53121	PUSH NUT PACKAGE (10)		
5	76334	FURNITURE GUARD ASSEMBLY		
6	76369-1	REAR WHEEL OVERMOLD		
7	55535-2	AXLE CLAMP - PACKAGED		
8	53238-11	SCREW PACKAGE		
9	53076-2	SPRING & AXLE PACKAGE (6)		
10	35859A-1	WHEEL - FRONT		
11	35947A	AXLE - FRONT		
12	30563A	BELT-DISTURBULATOR DRIVE		
13	53270	DISTURBULATOR ASSEMBLY		
14	53158	LOCK NUT PACKAGE		
15	29059A	CAP - COVER		
16	29057A	CAP - DISTURBULATOR		
17	54256	BRG & RET ASSY		
18	53184	KLIPRING PACKAGE		
19	25937	SHAFT - DISTURBULATOR		
20	52282-4	BRISTLE STRIP PACKAGE		
21	13236-3	TUBE - DISTURBULATOR		
22	25922-1	BOTTOM PLATE ASSEMBLY		
23	46538-4	TAPE - FOAM		

Bag - SC883A

---



## Bag - SC883A

Ref #	Part	Description	Comments	Qty
1	53489-23	ZIPPER BAG ASSY - PACKAGE		
2	77491	DIRT TUBE & OVERMOLD ASSE		
3	49461B-5	HARDWARE PKG - COMM UPRIG		
4	78091			
5	47722	SPRING - BAG		
6	48410	SPRING - GARTER		
7	63213	UPR ST DUSTBAG W/A&H PATC		
	78221	ZIPPER HANDLE CHAIN ASSEM		

54352-15 MOTOR ASSY



54395-4 ARM, FAN & BEARING ASSY

53088-2 BEARING

30474A FAN



54169-1 MOTOR BASE ASSY

54412 BEARING & RETAINER ASSY

53088-1 BEARING

53167-1 RIVET



## Motor - SC883A

Ref #	Part	Description	Comments	Qty
1	54352-15	MOTOR ASSEMBLY - PACKAGED		
2	53219-2	SCREWS - PACKAGE 10		
3	53213-4	NUTS - PACKAGE 10		
4	53222-3	LOCKWASHERS - PACKAGE 10		
5	30478	MOTOR BRUSH ASSEMBLY		
6	53138	SCREWS - PACKAGE 10		
7	54396	MOTOR COVER ASSEMBLY - LA		
8	20217E	RETAINER - UPPER BEARING		
9	53441-2	FIELD ASSEMBLY - PACKAGED		
10	56802-2	TIE - CABLE (PURCHASED)		
11	54395-4	ARMATURE, FAN & BRG ASSY-		
12	53088-2	BALL BEARINGS use 53088-4		
13	30474A	FAN - MOTOR COOLING		
14	53142	SCREW PACKAGE (10)		
15	53188-1	WASHER PACKAGE		
16	53148	WASHER - FAN PACKAGE (10)		
17	77247-355N	FAN BLOWER - MOTOR		
18	37012-2	PULLEY - MOTOR DRIVE		
19	54189-1	MOTOR BASE ASSEMBLY		
20	54412-2	BEARING RETAINER ASSY-W/L		
21	53088-1	BALL BEARING - PACKAGE		
22	53187-1	RIVET PACKAGE		