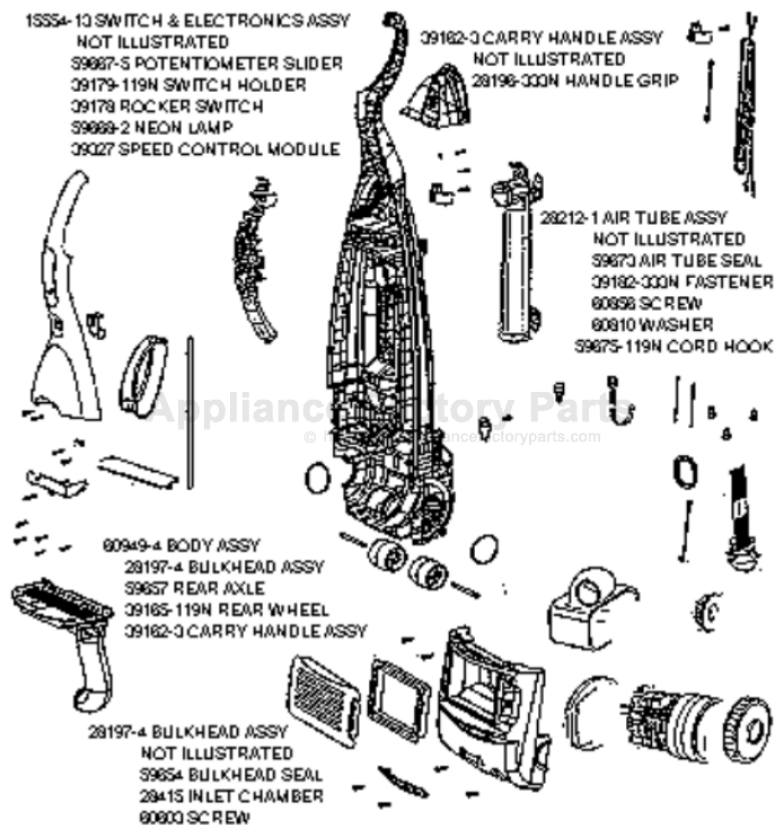


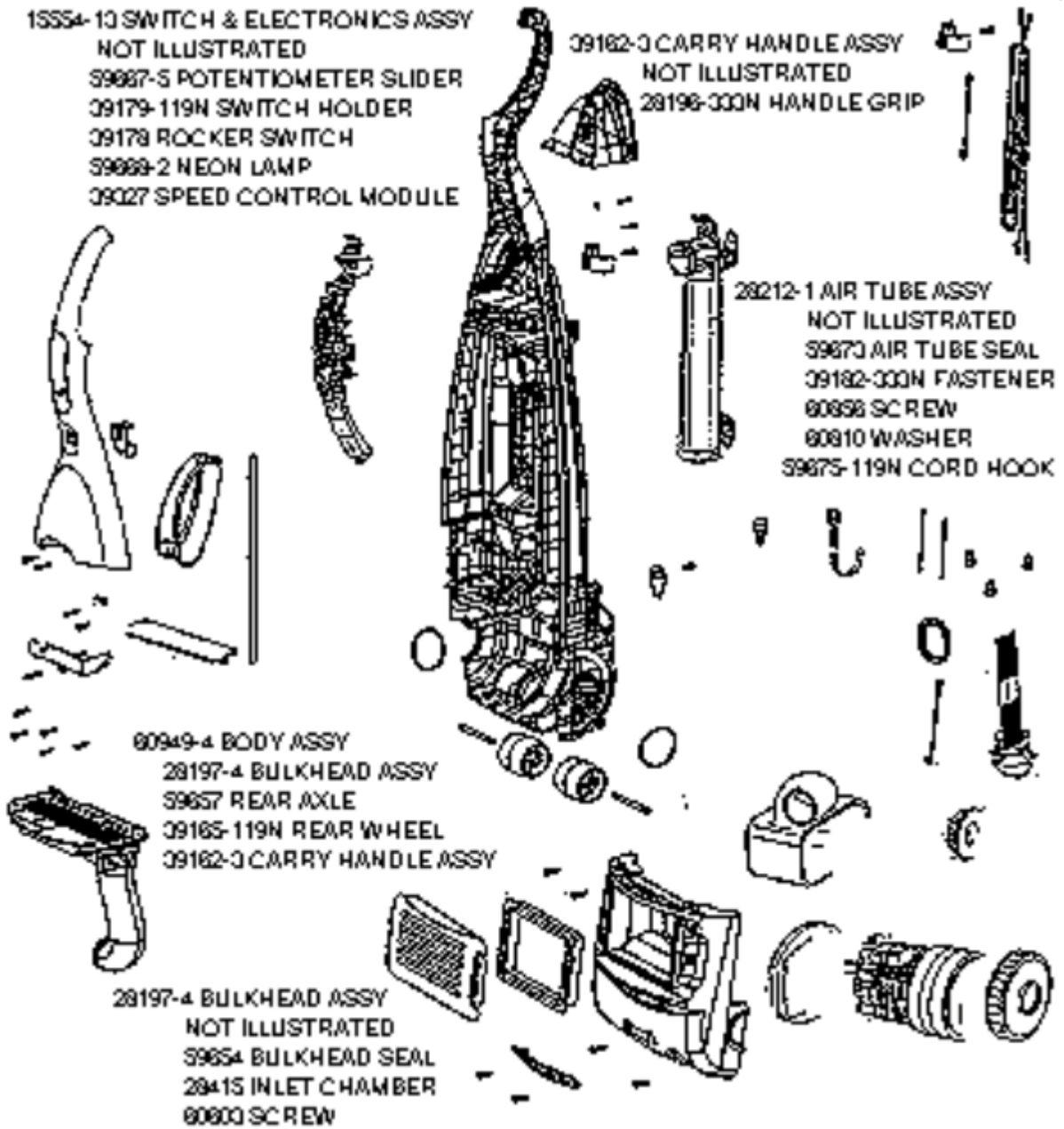
# SANITAIRE SC6240AT Owner's Manual

[Shop genuine replacement parts for SANITAIRE  
SC6240AT](#)



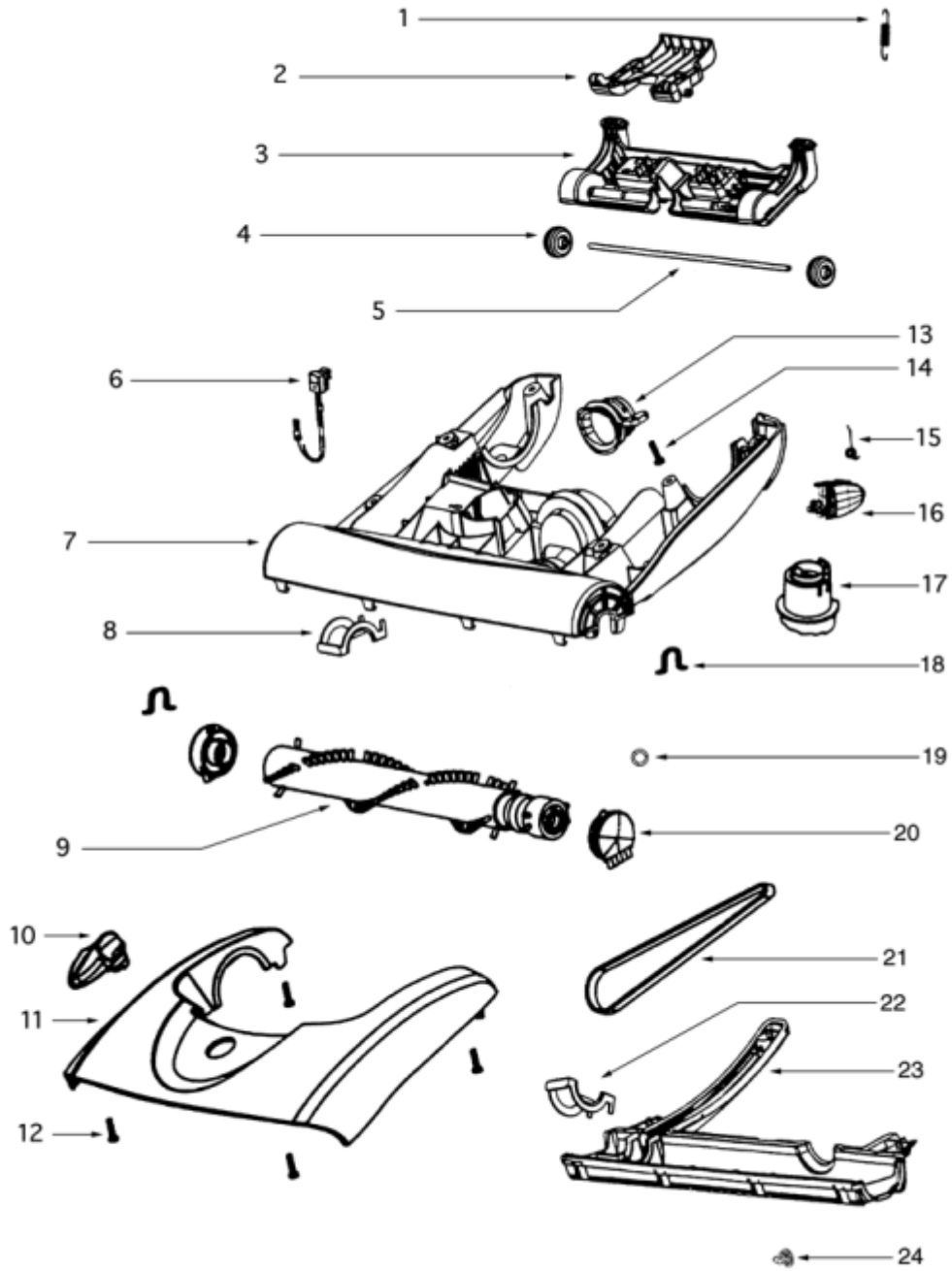
[Find Your SANITAIRE Vacuum Cleaner Parts - Select From 77 Models](#)

----- Manual continues below -----



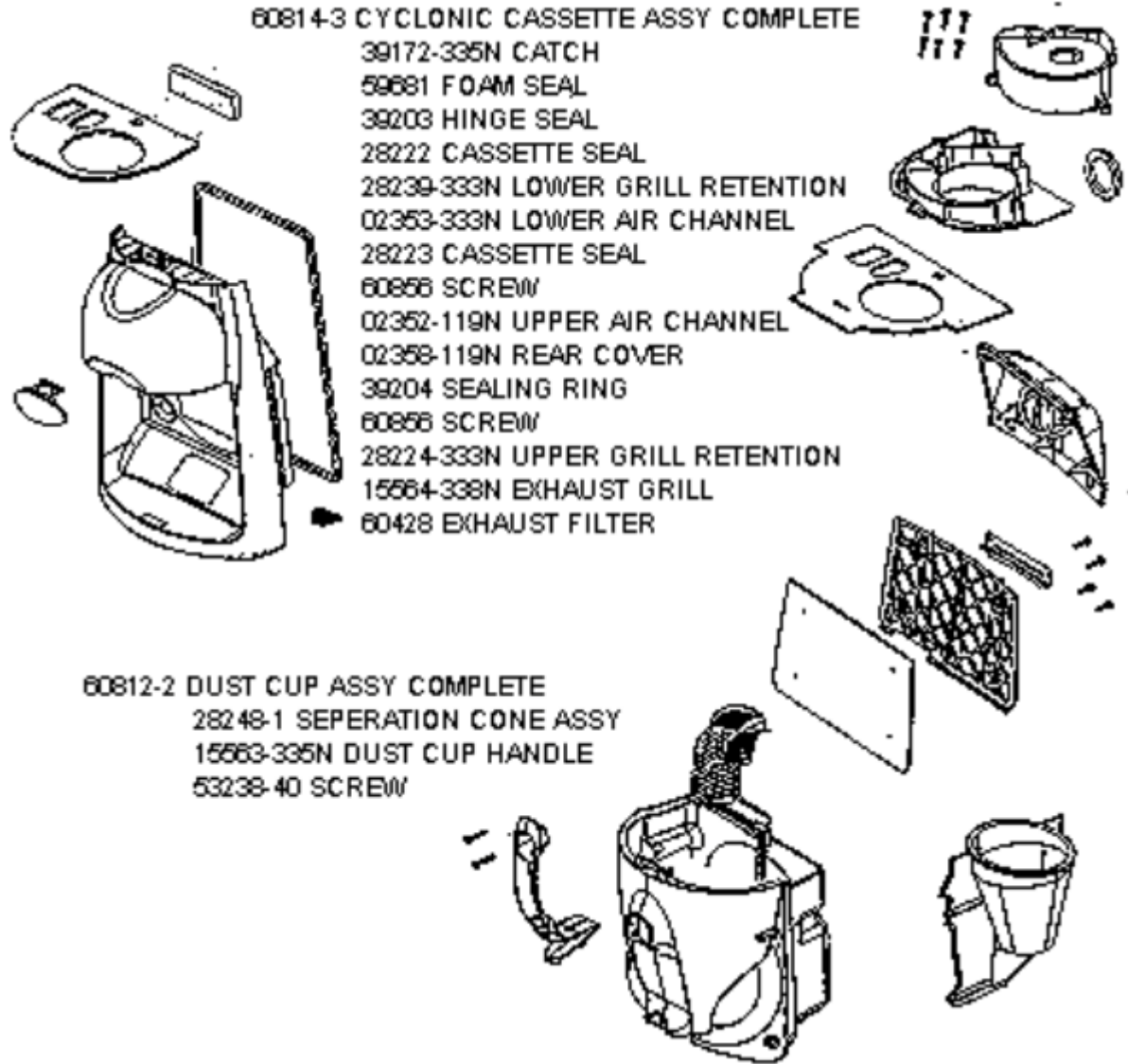
MAIN UNIT - SE6240AT

Ref #	Part	Description	Comments	Qty
1	15546-6	EXHAUST GRILL PRINTED		
2	15572	RING - SUSPENSION		
3	27329-3	CORD - LOW LEAD (17 GA)		
4	28196-333N	CARRY HANDLE ASSEMBLY		
5	28197-4	BULKHEAD ASSEMBLY		
6	28209-8	HANDLE FRONT PRINTED		
7	28212-1	REAR AIR TUBE ASSEMBLY -		
8	28226-4	CHAMBER - EXHAUST (MACHIN		
9	28253	SHEET - SEALING		
10	28272	HEPA FILTER - WASHABLE		
11	28293-313N	LENS - HEADLIGHT		
12	28415	CHAMBER - INLET (MACHINED		
13	38828A-2	HEADLIGHT ASSEMBLY		
14	39162-3	CARRY HANDLE ASSEMBLY		
15	39165-119N	WHEEL - REAR		
16	39170-335N	GRIP - HAND		
17	39171	SEAL - EXHAUST CHAMBER		
18	39178	ROCKER SWITCH		
19	39179-119N	HOLDER - SWITCH		
20	39182-333N	1/4 TURN FASTENER - PKG		
21	39187	BENT END CUP ASSEMBLY		
22	39189-333N	CLIP-TOOL (NLA)		
23	39196-119N	RETAINER - HOSE		
24	39214	CABLE CLAMP		
25	39216-337N	PLUG - BLANKING		
26	39327	SPEED CONTROL		
27	46713-5	TIE - CABLE (PURCHASED)		
28	53238-40	SCREW PACKAGE		
29	54669-2	SCREW PACKAGE		
30	57940-2	HEADLIGHT		
31	59654	SEAL - BULKHEAD		
32	59657	AXLE - REAR WHEEL		
33	59658	WASHER - PACKAGED		
34	59667-5	POTENTIOMETER SLIDER PRIN		
35	59668-2	LAMP-NEON (NLA use 59668-3)		
36	59669-3	HOSE		
37	59673	SEAL - UPPER AIR TUBE		
38	59675-119N	HOOK-CORD		
39	59680	RIVET - PACKAGED		
40	59692	BLOCK - SUSPENSION		
41	59830-316N	RING - JOURNAL		
42	59847-3	LEAD ASSEMBLY		
43	59847-5	LEAD ASSY.		
44	60192-1	WIRE SPLICE 5		
45	60428	FILTER PACKAGE		
46	60603	SCREW - PKG		
47	60810	WASHER PKG		
48	60856	SCREW PACKAGE		
49	60949-4	BODY ASSEMBLY - PACKAGED		
50	60985-1	MOTOR ASSEMBLY-CARTONED		
51	60987-1	MOTOR COVER ASSEMBLY - PK		



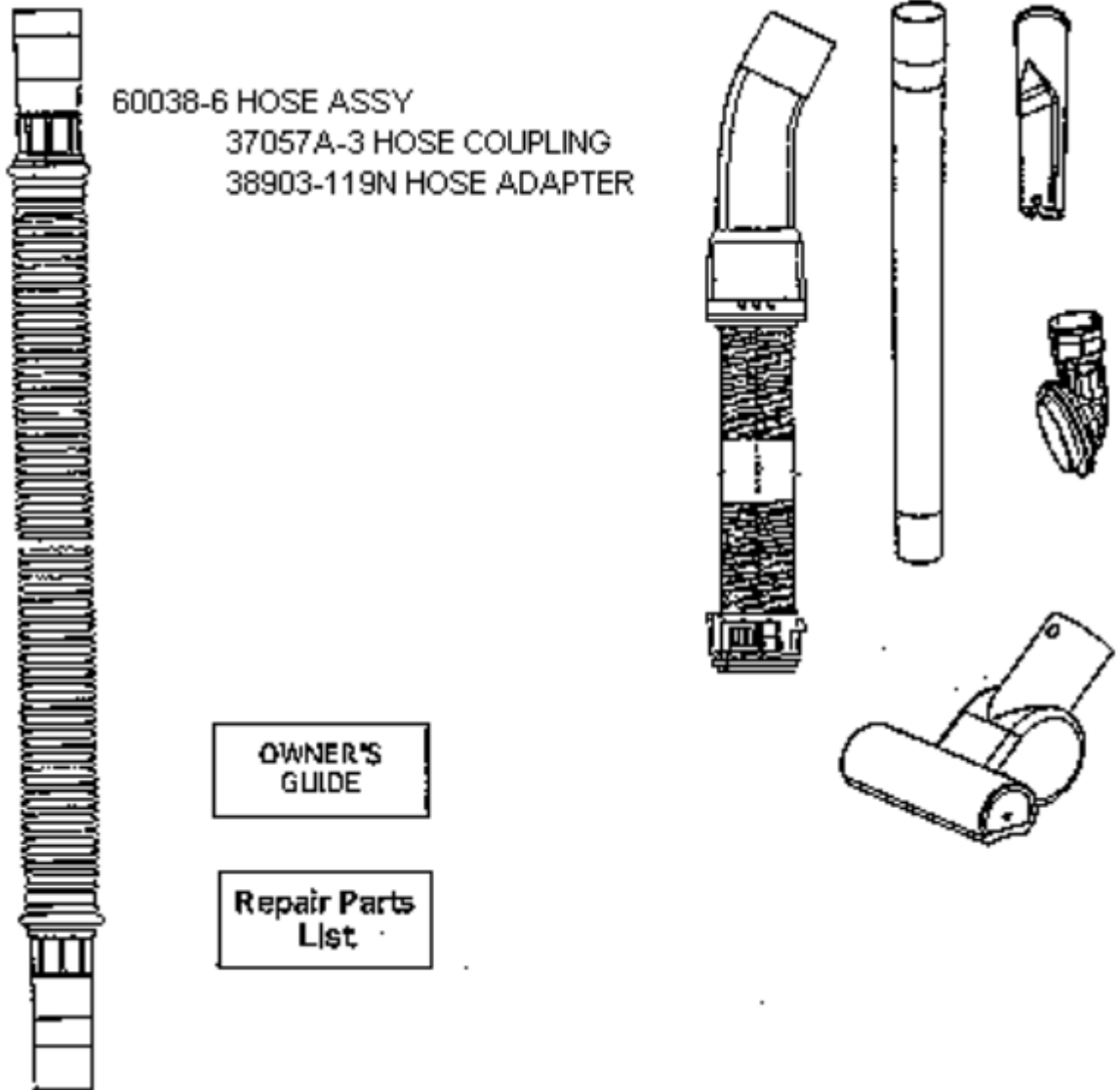
## HOOD/BASE - SE6240AT

Ref #	Part	Description	Comments	Qty
1	70313	SPRING - PACKAGED		
2	28187-119N	ARM - LEVER		
3	28445	WHEEL CARRIAGE ASSEMBLY		
4	39168	WHEEL - FRONT		
5	39253	AXLE		
6	28446-1	LUTON CORD ASSEMBLY		
7	60988-1	BASE ASSEMBLY - PACKAGED		
8	59951	FELT		
9	60989-1	BRUSHROLL ASSEMBLY - CART		
10	39151-335N	KNOB - HEIGHT ADJUSTMENT		
11	60986-1	HOOD & GRAPHICS ASSEMBLY-		
12	60856	SCREW PACKAGE		
13	39267-119N	ADAPTER - HOSE		
14	39198	BODY RELEASE SPRING - PKG		
15	39197A-335N	PEDAL - BODY RELEASE		
16	39255-335N	ACTUATOR - HT. ADJUSTMENT		
17	59852-1	GASKET - CYCLONE		
18	59792	SPACER - END CAP		
19	39193-2	END CAPS - BRISTLED		
20	39199	FLAT BELT		
21	28443-1SV	SOLE PLATE & GASKET ASSEM		
22	60598-2	1/4 TURN FASTENER - PKG		
	60598-1	1/4 TURN FASTENER - PKG		



Ref #	Part	Description	Comments	Qty
1	02352-119N	AIR CHANNEL - UPPER		
2	02353-333N	AIR CHANNEL - LOWER		
3	02358-119N	COVER - REAR		
4	15563-335N	HANDLE		
5	15564-338N	EXHUST GRILL (NLA)		
6	28222	CASSETTE BODY SEAL #2		
7	28223	CASSETTE BODY SEAL #1		
8	28224-333N	GRILL RETENTION - UPPER		
9	28239-333N	GRILL - LOWER RETENTION		
10	28248-1	SEPARATION CONE ASSEMBLY		
11	39172-335N	CATCH (AS MACHINED)		
12	39203	CASSETTE BODY HINGE SEAL		
13	39204	RING - SEALING		
14	53238-40	SCREW PACKAGE		
15	59681	FOAM SEAL		
16	60428	FILTER PACKAGE		
17	60812-2	CASSETTE DUST CONTAINER (NLA)		
18	60814-3	CYCLONIC CASSETTE ASSY		
19	60856	SCREW PACKAGE		

ACCESSORIES - SE6240AT



ACCESSORIES - SE6240AT

Ref #	Part	Description	Comments	Qty
1	28251-119N	NOZZLE - CREVICE		
2	37057A-3	COUPLING - HOSE		
3	38903-119N	ADAPTER - HOSE		
4	39186	EXTENSION TUBES ASSEMBLY		
5	60038-6	HOSE ASSEMBLY - CARTONED		
6	60123	TURBO NOZZLE ASSY (MODEL		
7	60470-1	TRANSPARENT HOSE ASSY-CAR		
8	60990-1	COMBINATION BRSH BRSTLD-C		