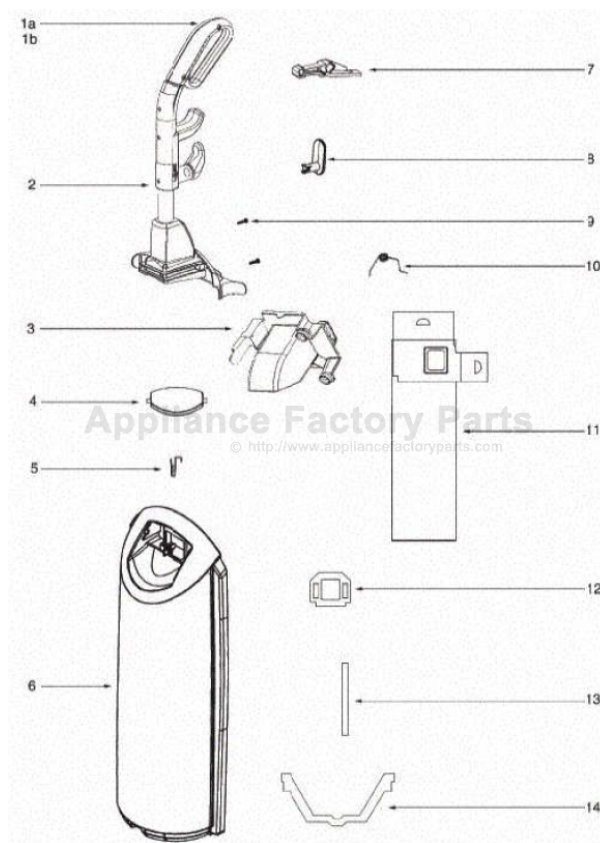


This Owner's Manual is provided and hosted by [Appliance Factory Parts](http://www.appliancefactoryparts.com).



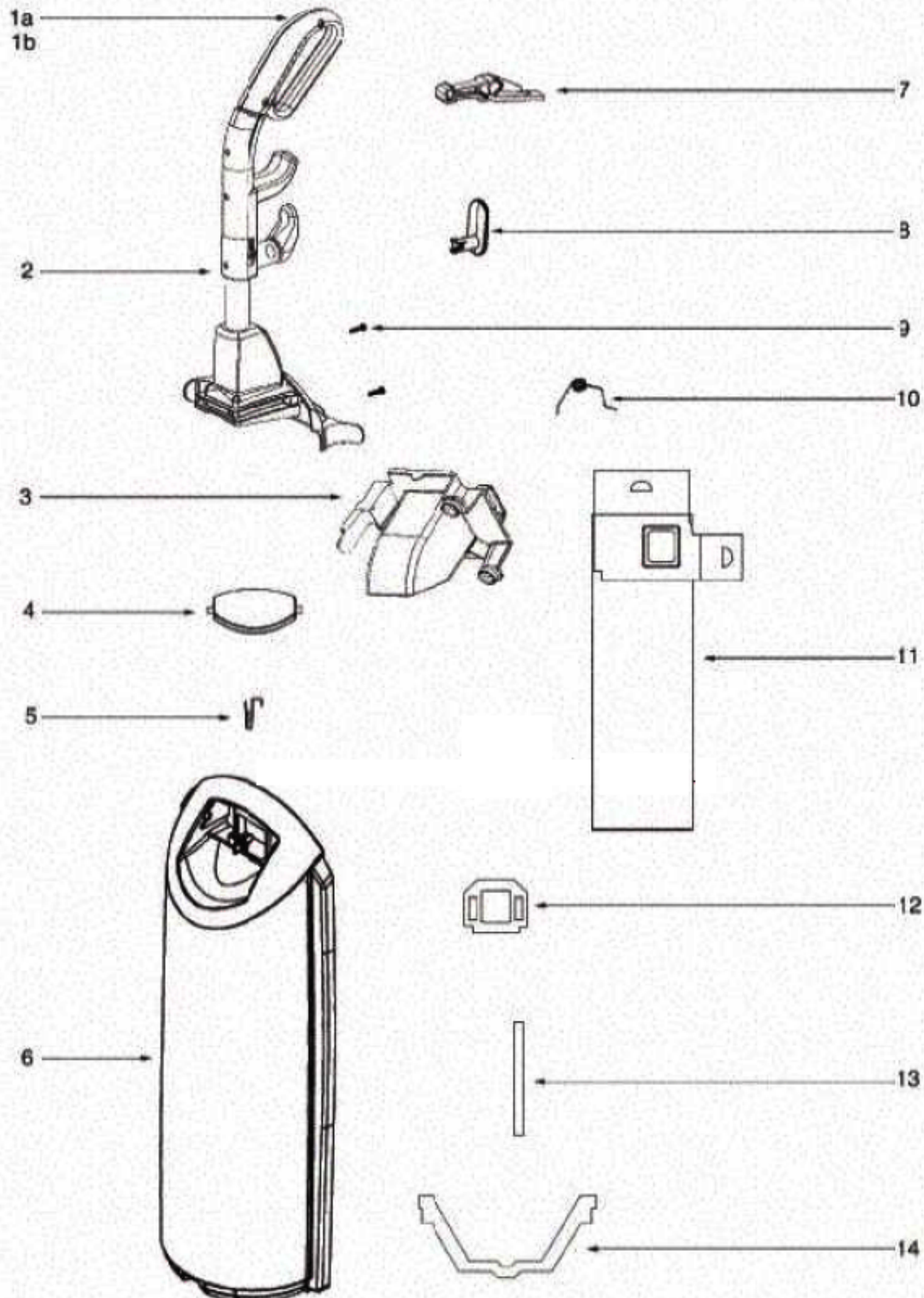
SANITAIRE SP5816A Owner's Manual

[Shop genuine replacement parts for SANITAIRE
SP5816A](#)

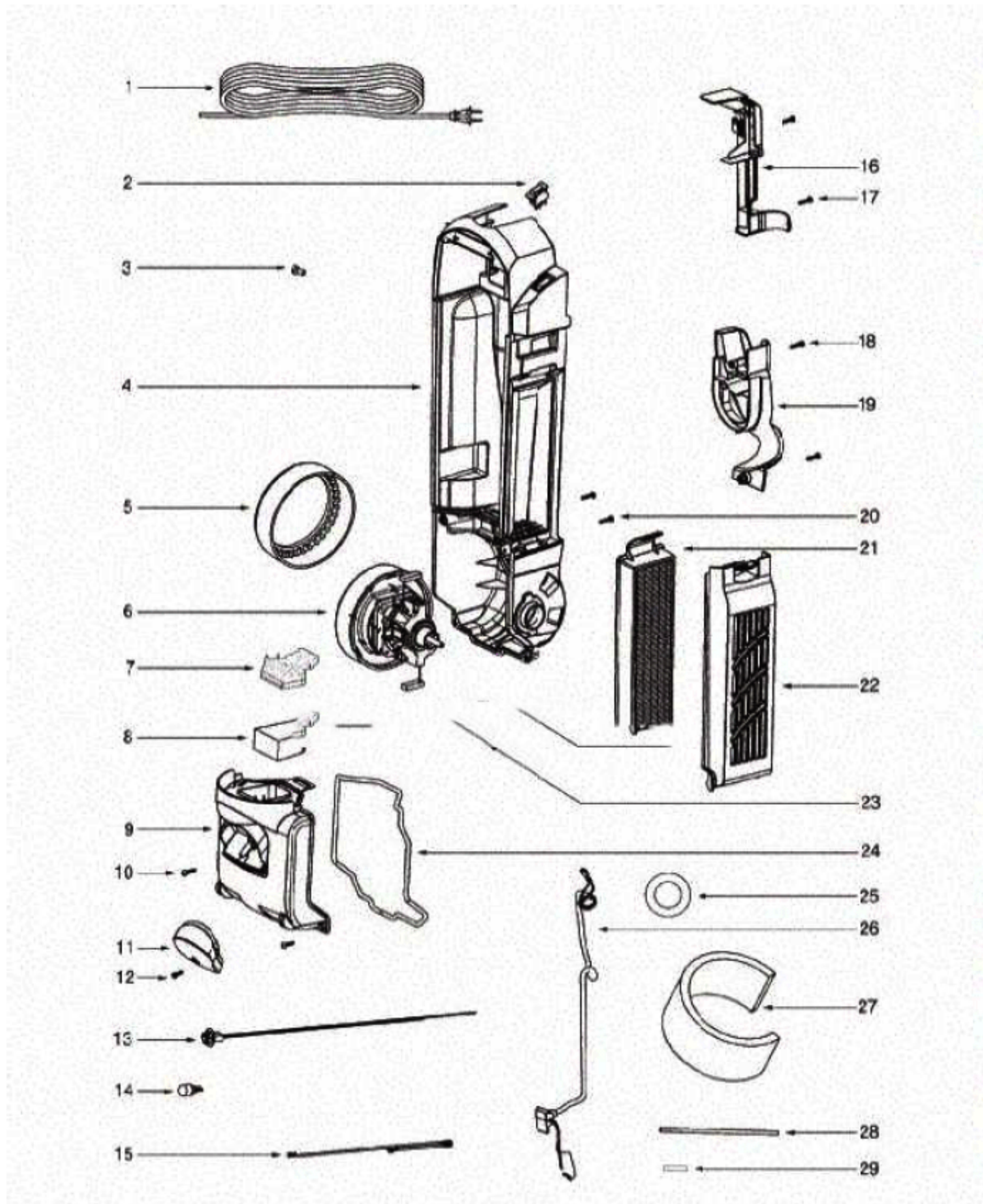


[Find Your SANITAIRE Vacuum Cleaner Parts - Select From 78 Models](#)

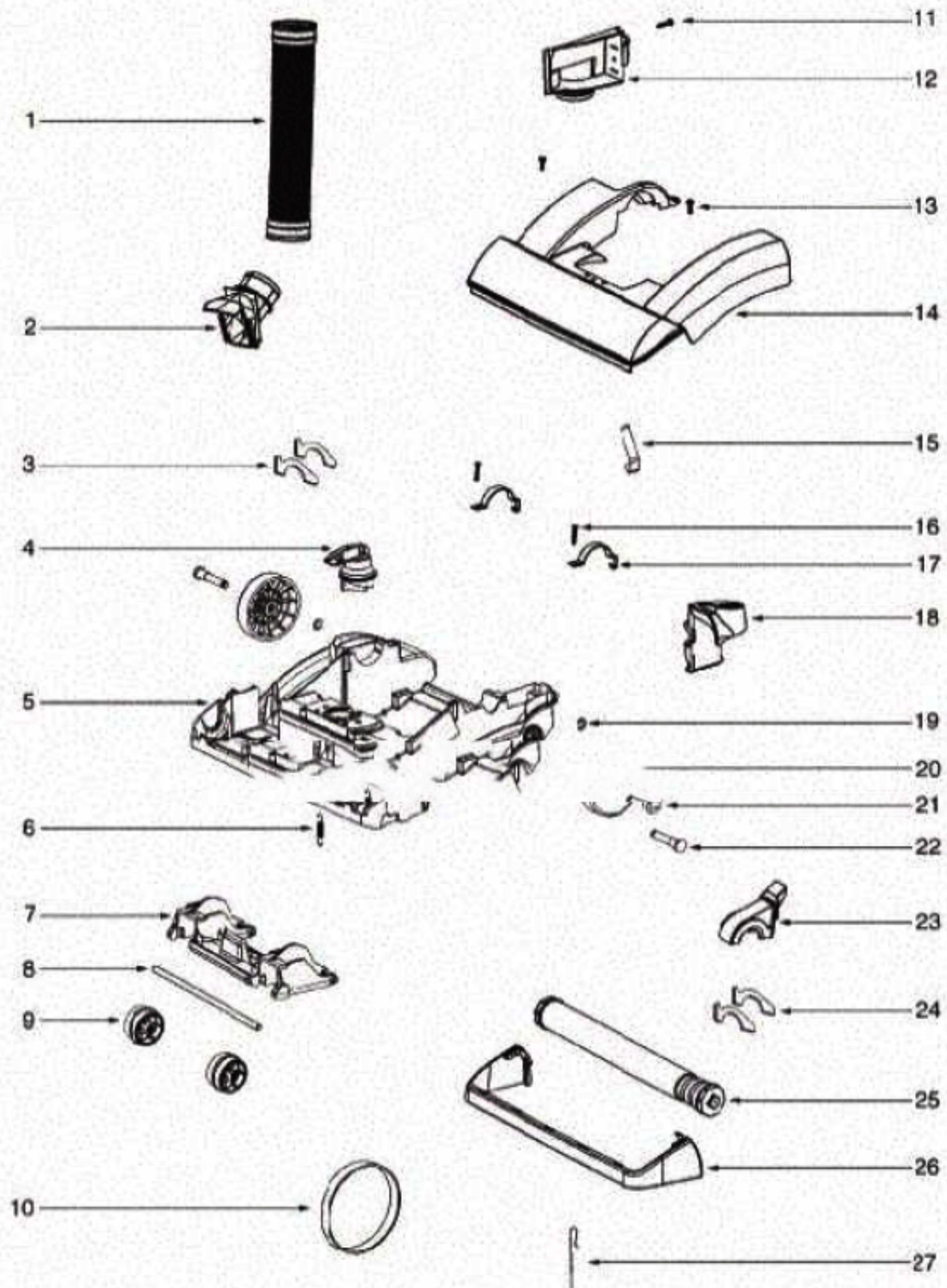
----- Manual continues below -----



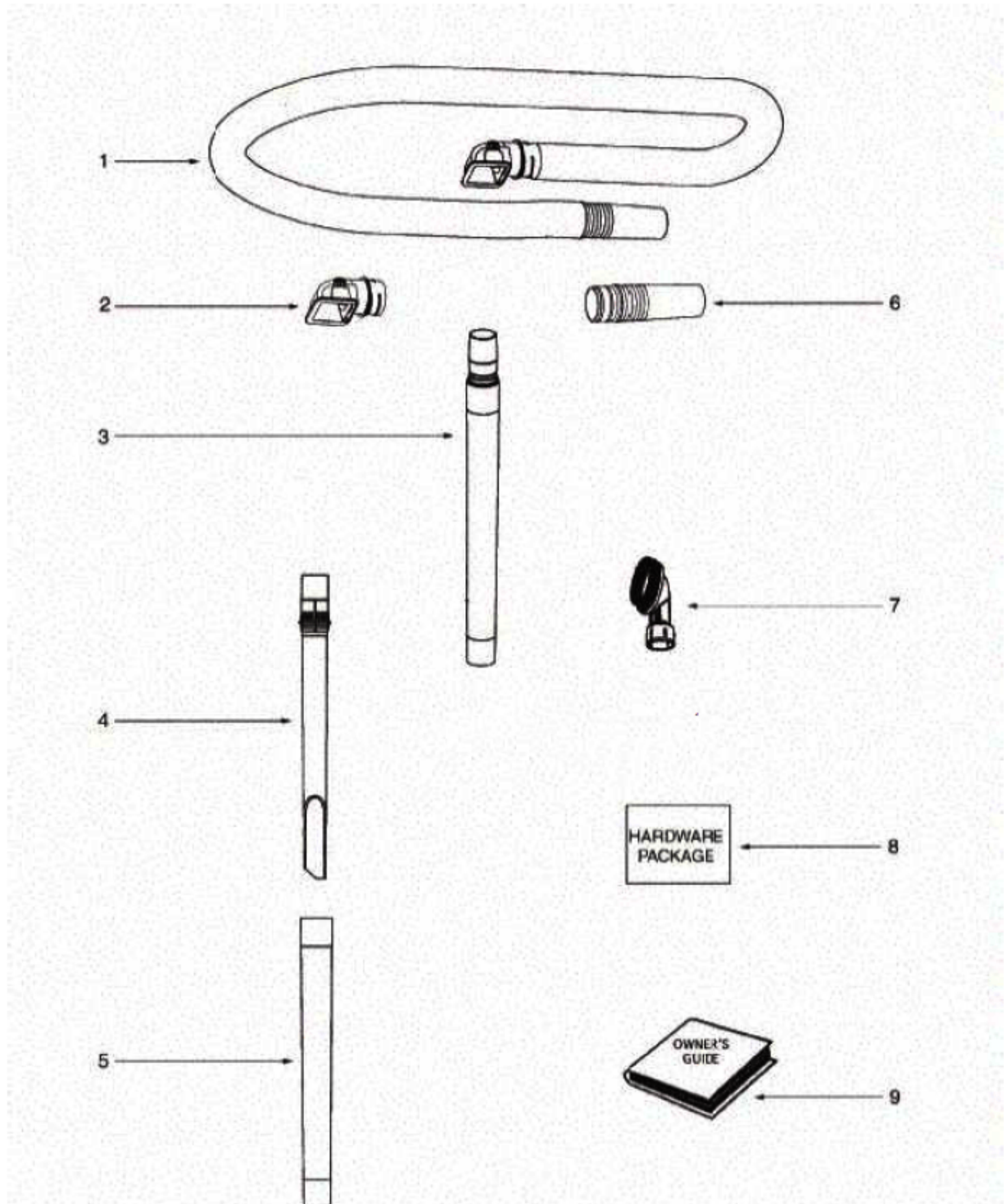
Ref #	Part	Description	Comments	Qty
1	15596-355N	GRIP - LEFT HANDLE		
1B	15597-355N	GRIP - RIGHT HANDLE		
2	73175-1SV	UPPER HANDLE ASSEMBLY		
3	71746-119N	ADAPTER - CLIP		
5	71852	SPRING - TORSION		
6	61880-9			
7	71747-119N	BAG-IN-PLACE ARM		
8	28316-355N	RETAINER - CORD		
9	53238-44	SCREW PACKAGE		
10	71748	SPRING - TORSION		
11	61820	PAPER BAG PACKAGE - STYLE		
12	71854	GASKET - ADAPTER		
13	71512	GASKET - BAG COVER		
14	71765A	GASKET - LOWER BAG		
4			Bag Cover Latch sold on bag cover, only.	



Ref #	Part	Description	Comments	Qty
1	39585-4	SUPPLY CORD & TERMINAL AS		
2	39455-1	SWITCH - ROCKER		
3	60192-1	WIRE SPLICE 5	Pkg of 5	
5	71649	GASKET - MOTOR CAN (Eurek		
6	60261-11	MOTOR ASSEMBLY - PACKAGED		
7	71851-119N	MOTOR SCREEN		
8	71480	FILTER - PRE-MOTOR		
9	61879-4	MOTOR COVER ASSY - PKGD	Includes item 8.	
11	71460-313N	LENS - HEADLAMP		
12	53238-44	SCREW PACKAGE	Pkg of 10	
13	70701-2	SOCKET & TERMINAL ASSY		
14	57940-3	LAMP - HEADLIGHT		
15	39252-1	THERMOSTAT & TERMINAL ASS		
16	72127	SWITCH COVER ASSEMBLY		
19	71455-119N	TOOL PACK - LOWER		
20	53238-27	SCREW PACKAGE	Pkg of 10	
21	61840	WASHABLE HEPA FILTER - PK		
22	72006-7			
23	70084	BUSHING - MOTOR SUPPORT		
24	71484	GASKET - MOTOR COVER		
25	71969-1	GASKET - MOTOR HUB		
26	71465	CORD - JUMPER		
27	72224-1	FOAM - SOUND		
28	70651-1	TUBE - FLEXIBLE		
29	72167	PLUG		
4	71744	REAR HOUSING ASSEMBLY	Includes item 24.	



Ref #	Part	Description	Comments	Qty
1	72001	BASE HOSE ASSY		
2			On base hose only.	
3	73153	FELT - BASE		
4	71448-355N	KNOB - HEIGHT ADJUSTMENT		
5	61877-10	BASE ASSEMBLY - PACKAGED	Includes items 3,4,6,7,8,9,15,18,19,20,21,22,26 & 27	
6	54943	SPRING PACKAGE		
7	71446A-119N	CARRIAGE - WHEEL		
8	71478	AXLE - FRONT		
9	39173A-119N	WHEEL - FRONT		
10	39557	BELT - DRIVE (LONG LIFE)		
12			On base hose only.	
13	53238-44	SCREW PACKAGE	Pkg of 10	
14	61878-25			
15	71574	SPRING - HANDLE RELEASE		
16	53238-27	SCREW PACKAGE	Pkg of 10	
17	71487	CLAMP - MOTOR		
18	71457-355N	RELEASE - HANDLE		
19	54432-2	PACKAGE - RETAINING RING	Pkg of 10	
20	72117-119N	WHEEL - REAR		
21	73432	BUSHING - AXLE		
22	38590A	AXLE - REAR		
23	71741A	BELT CAP ASSEMBLY	Includes item 24	
24	73152	FELT - BELT CAP		
25	62228-3	BRUSHROLL ASSEMBLY - CART		
27	38063	GUARD - BELT		
	71448-333N	KNOB - HEIGHT ADJUSTMENT		
26			Sold on hood, only.	



Ref #	Part	Description	Comments	Qty
1	61865-4	HOSE ASSY - CTND	Includes items 2 & 6	
2	71725-313N	ADAPTER - HOSE		
3	71492A	NESTING WAND ASSEMBLY	Includes items 4 & 5	
4	71956A-355N	WAND - CREVICE		
5	71973-119N	WAND - OUTER		
6	70559A-119N	COUPLING - HOSE		
7	60990-2	COMBINATION BRSH BRSTLD-C		
8	72322	PACKAGE - HARDWARE		
	74576			