

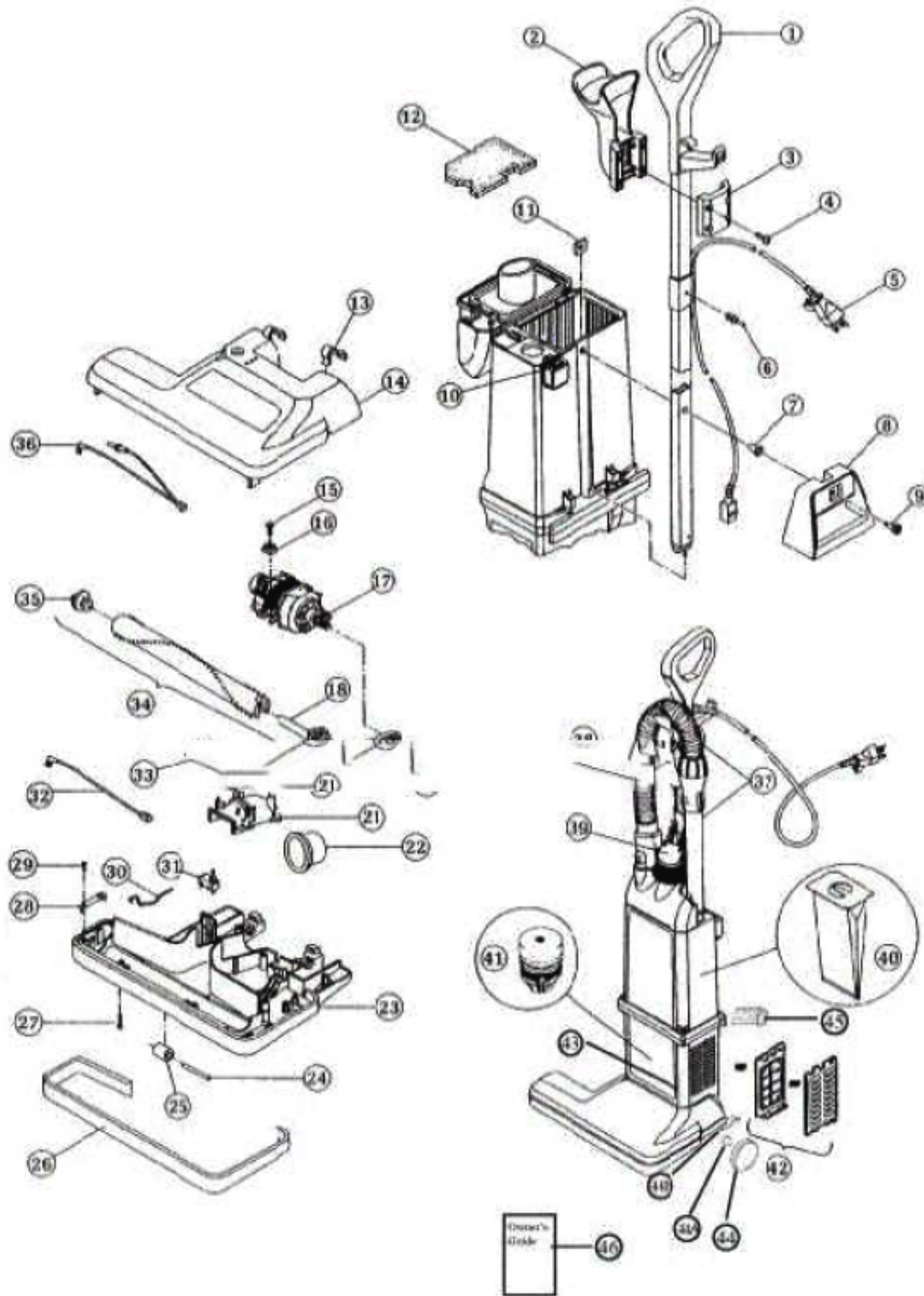


## Available Replacement Parts for SANITAIRE SP6610A

[PV-104507](#)

DETENT SPRING 2 pack

ENTIRE UNIT - SP6610A



Ref #	Part	Description	Comments	Qty
1	05440-0216-0414	ASSEMBLY, HANDLE & TUBE		
2	09570-0107-0414	KIT, CADDY		
3	09570-0108-0414	KIT, CADDY		
4	00233-0051-18	SCREW,SELF-TAPPING		
5	39857-1	CORD - SUPPLY		
6	00438-0010	RIVET,NYLON-BLACK		
7	05332-0006-0000	BUSHING, HANDLE-DISC II		
8	05440-0172	HANDLE KIT, CARRY		
9	00209-0007-33	SCREW,MACHINE SHOULDER		
10	00941-0061	SWITCH,UPRIGHT C & K		
11	09765-0011	PLATE,HANDLE NUT-1500		
12	05501-0011	FILTER,AFTER-DIII		
13	07518-0011	SPRING,DETENT-1500 UPR.		
14	07510-0153-0262	COVER, COMM. BASE (BLACK)		
16	05148-0009-0262	GROMMET		
17	62058-1	BRUSHROLL MOTOR - CARTONE		
19	07527-0027	BELT, MOTOR (.375 WIDE)		
20	00253-0018-18	SCREW,SELF TAPPING		
21	07552-0036-0000	COVER, NOZZLE		
22	07240-0041-0000	SLEEVE,HOSE		
23	07520-0132-0262	BASE, COMM. UPRIGHT (BLAC		
24	07543-0025	SHAFT (PLATED)		
25	07516-0025-0262	ROLLER, FRONT-PN6B		
26	05139-0140-0414	BUMPER, EXTRUSION (CHAR G		
27	00263-0019-23	SCREW, THD CUT #8 OV HD D		
28	07538-0020	RETAINER, BRUSH		
29	00232-0018-18	SCREW,SELF-TAP.6-20X.438		
30	07529-0008	FORM,WIRE		
31	00938-0091	BREAKER,CIRCUIT ETA 2.25		
32	06726-0959	LEAD ASSY, BLUE		
33	00938-0141	MEC,SYS PERF INDICATOR		
34	62077-1	BRUSHROLL ASSY - CARTONED		
36	06726-0886	LEAD ASSY, WHITE		
37	62079-1	HOSE ASSEMBLY - CARTONED		
37A	39965-1	HOSE & COUPLING ASSEMBLY		
37B	39966-1	EXTENSION WAND & HANDLE A		
38	08610-0016-0414	CREVICE TOOL		
39	07800-0066	BRSH ASSY,COMBINED		
40	62100	PAPER BAG PKG - COMED.		
41	62078-1	MOTOR ASSY - CARTONED		
42	39861	FILTER ASSY, UAF - SANITA		
43	05166-0041-0262	BODY, MTR. HSNB (BLACK)		
44	08835-0069-0262	WHEEL ASSY-DIII		
44A	00903-0058	BEARING, NYLINER 12L121-F		
44B	08847-0009	CLAMP, REAR WHEEL (COMMER		
45	07210-0128	HOSE,DUCT 80/20 BLEND		
35			Only available with item 34.	
46	73633			