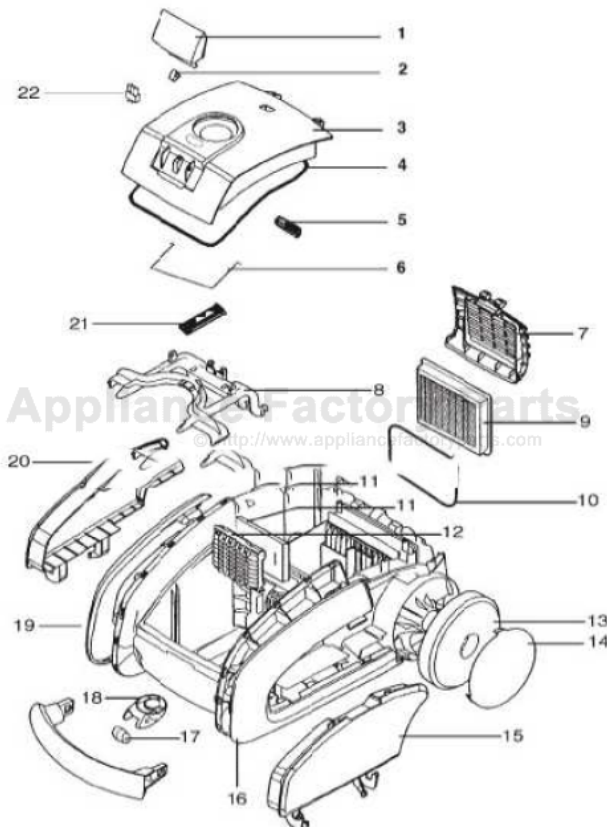


This Owner's Manual is provided and hosted by [Appliance Factory Parts](http://www.appliancefactoryparts.com).



# SANITAIRE SP6951A Owner's Manual

[Shop genuine replacement parts for SANITAIRE  
SP6951A](#)



[Find Your SANITAIRE Vacuum Cleaner Parts - Select From 78 Models](#)

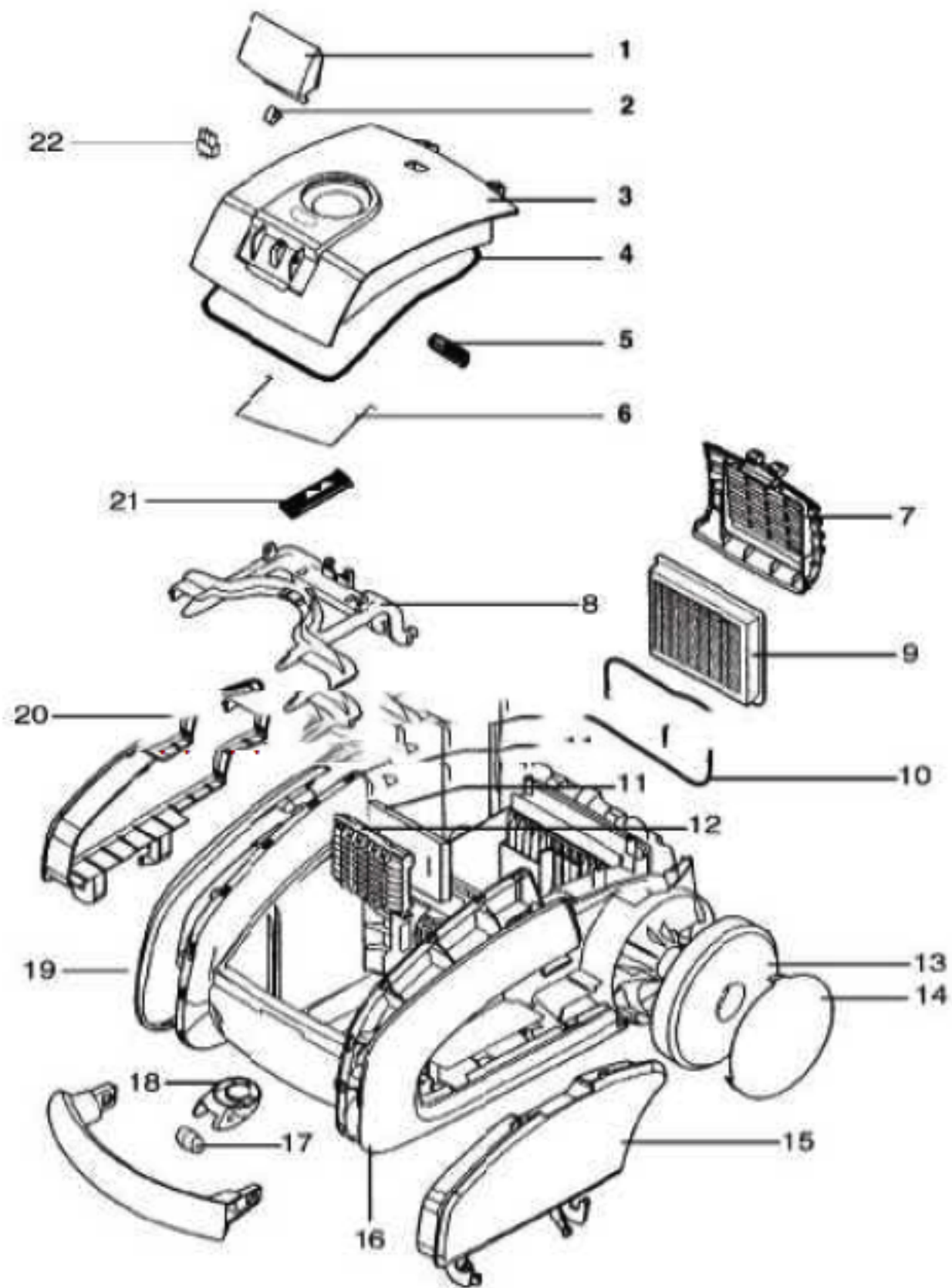
----- Manual continues below part list -----

## Available Replacement Parts for SANITAIRE SP6951A

[155506](#)

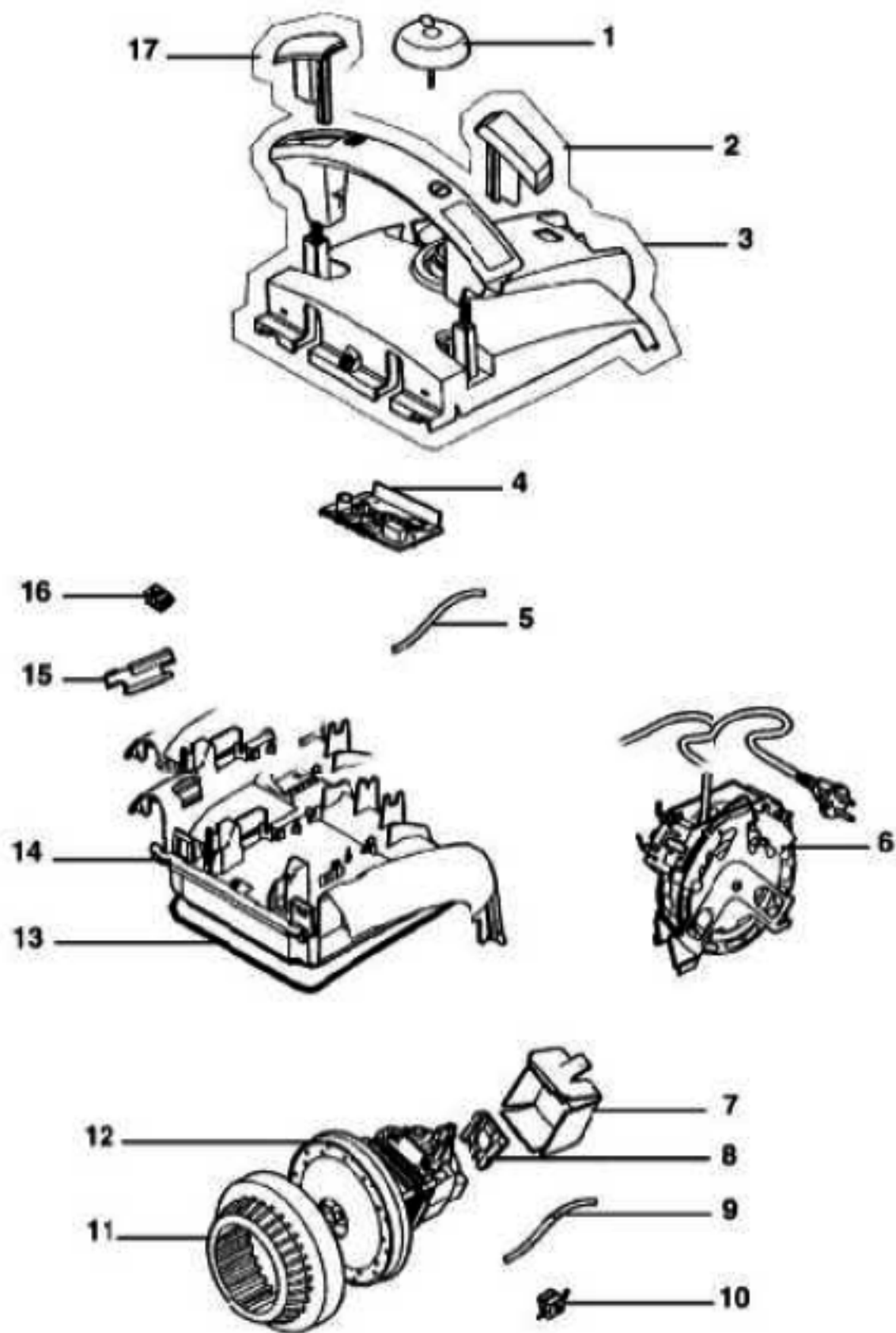
MOTOR

May show more parts than really exists

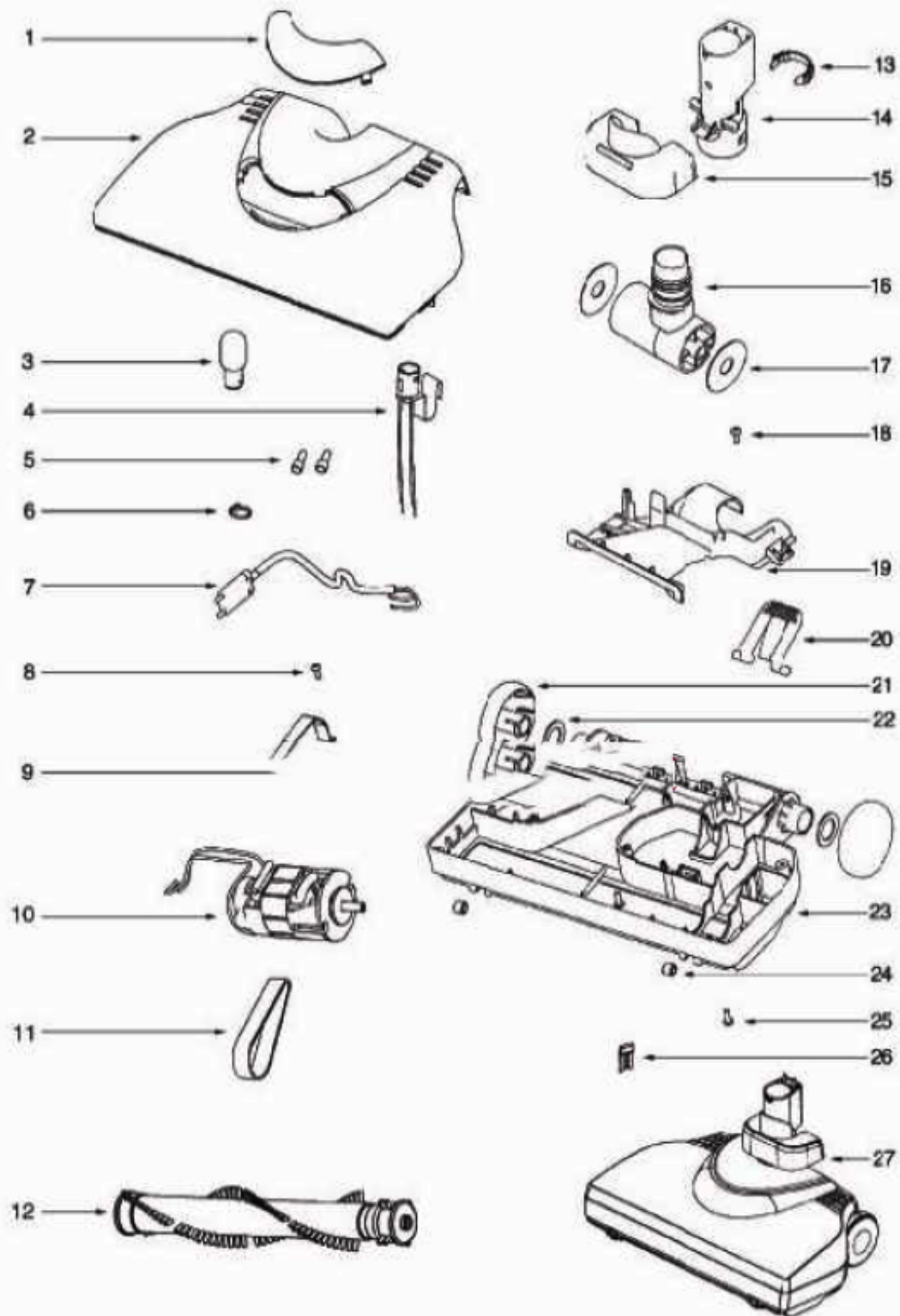


Ref #	Part	Description	Comments	Qty
1	39805-355N	BAG COVER LATCH		
2	6681008-10	LATCH SPRING		
3	39803-1	BAG COVER & GRAPHICS ASSE		
4	1096847-01	GASKET - DUST BAG		
5	39807	BAG CHANGE INDICATOR		
6	1096522-01	HOOK - WIRE		
7	39817-410P	FILTER COVER (PAINTED)		
8	39838-380N	BAG HOLDER		
9	SP012W	SYSTEM-PRO WASHABLE HEPA		
10	1130289-01	SEAL		
11	39811	MOTOR FILTER		
12	39810-380N			
13	39826-355N	REAR WHEEL - OVERMOLD		
14	39831-410P	REAR WHEEL COVER (PAINTED)		
15	39906-1	LEFT COVER AND GRAPHICS A		
16	39797-355N			
17	39828-380N	FRONT WHEEL		
18	39827-355N	FRONT WHEEL HOLDER		
19	39798-355N			
20	39907-1	RIGHT COVER AND GRAPHICS		
21	39808-380N			
22	39806-380N	POWER OUTLET		

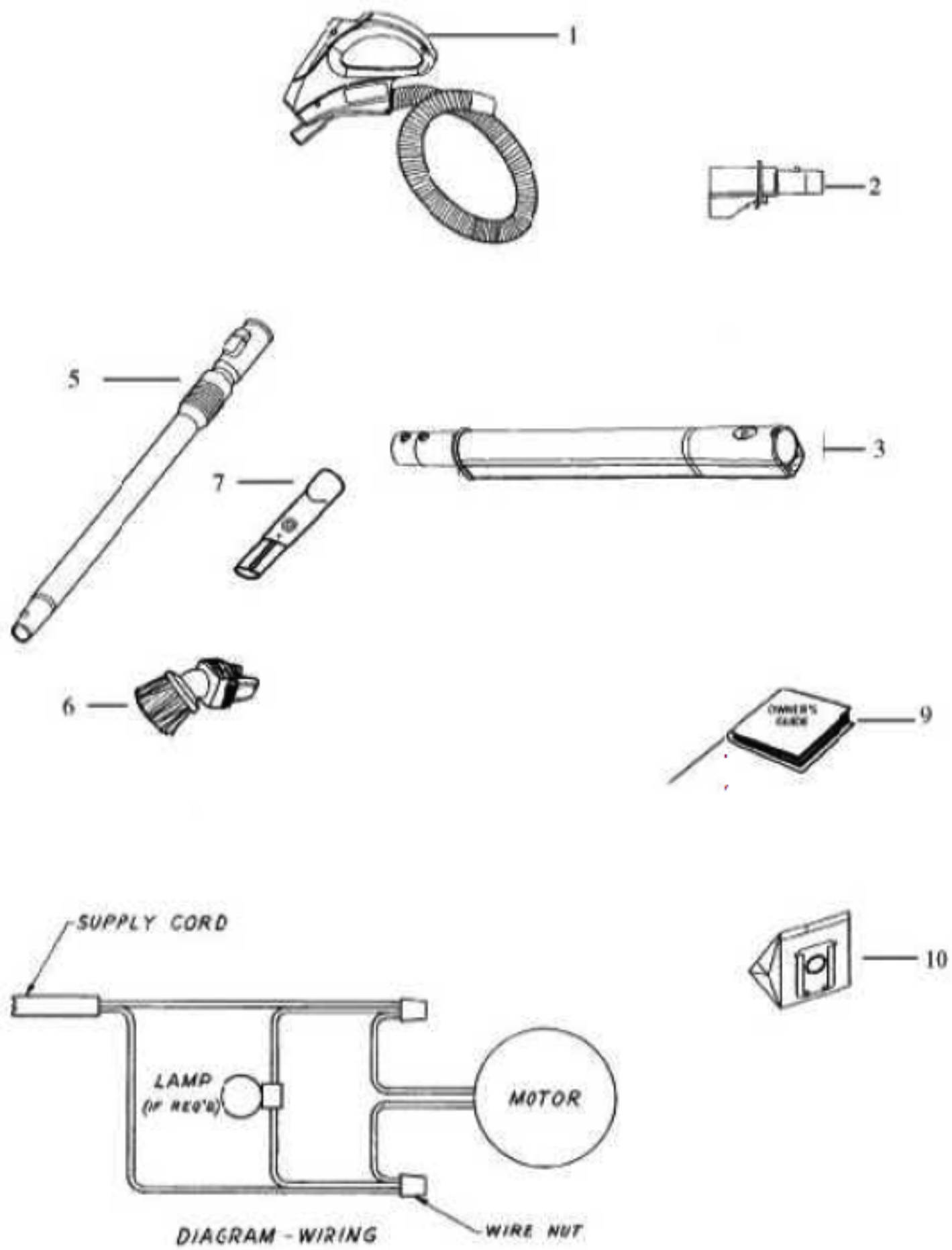
73992 Thermostat & Terminal Assy - Not Illustrated



Ref #	Part	Description	Comments	Qty
1	39822-355N	SPEED CONTROL KNOB		
2	39823-355N			
4	2190494-08	CIRCUIT BOARD (ELECTRONIC		
5	1096837-06	HOSE - COOLING (L230)		
6	39825	CORD REEL		
7	1096471-00	MOTOR ADAPTER, VM3		
8	2196205-01	SUSPENSION BLOCK D		
9	2191082-01	HOSE - COOLING (CW)		
10	1096954-01	WIRE SEAL		
11	1096831-02	SEAL - BLOWER (VM3)		
12	39848	VM3 MOTOR ASSEMBLY (11287		
13	1096947-01	GASKET - HOOD		
14	39812-355N	REAR HOUSING		
16	6698086-36	SWITCH - PUSH BUTTON		
15	39823-355N			



Ref #	Part	Description	Comments	Qty
1	39561	LENS		
2	15783-8			
3	59045	HEADLIGHT		
4	39559	LAMP SOCKET		
5	60192-1	WIRE SPLICE 5	Pkg. of 5	
6	46713-5	TIE - CABLE (PURCHASED)		
7	39566	POWER CORD		
8	53238-8	SCREW PACKAGE	Pkg. of 10	
9	72315	STRAP - MOTOR		
10	54343-1	MOTOR ASSEMBLY - PACKAGED		
11	58065A	BELT - STYLE AR	Pkg. of 2	
12	27887-3			
13	39564-355N	C- RING		
14	72324-355N	COUPLING		
15	72325-355N	QUICK DISCONNECT PEDAL		
16	72326-355N	T-JOINT	Includes item 17.	
17	57992	GASKET - FELT		
18	53238-8	SCREW PACKAGE	Pkg. of 10	
19	39562	T-JOINT COVER ASSY		
20	39560-355N	FOOT PEDAL		
21	72327-355N	WHEEL - REAR		
22	56180	FELT WASHER		
23	54639-5	BASE ASSEMBLY - POWER HEA		
24	60963	FRONT WHEEL ASSEMBLY		
25	53238-8	SCREW PACKAGE	Pkg. of 10	
26	38063	GUARD - BELT		
27	15783-8		Powerhead complete.	



Ref #	Part	Description	Comments	Qty
1	62361-1	SWIVEL HOSE ASSY - CARTON		
2	39041	COUPLING ASSY - EASY CHAN		
3	39422A-3	DIRECT CONNECT WAND ASSEM		
4	15822-1		Not pictured.	
5	39998	WAND ASSEMBLY		
6	39842	TOOL COMBINATION		
7	39843	TELESCOPIC CREVICE TOOL A		
8	74562		Not pictured.	
9	73350			
10	SP200	SANITAIRE S BAG PACKAGE	S-Classic, pkg of 5.	