

This Owner's Manual is provided and hosted by [Appliance Factory Parts](#).



ESSICK ECR3301 Owner's Manual

[Shop genuine replacement parts for ESSICK ECR3301](#)



[Find Your ESSICK Evaporative Cooler Parts - Select From 70 Models](#)

----- Manual continues below -----

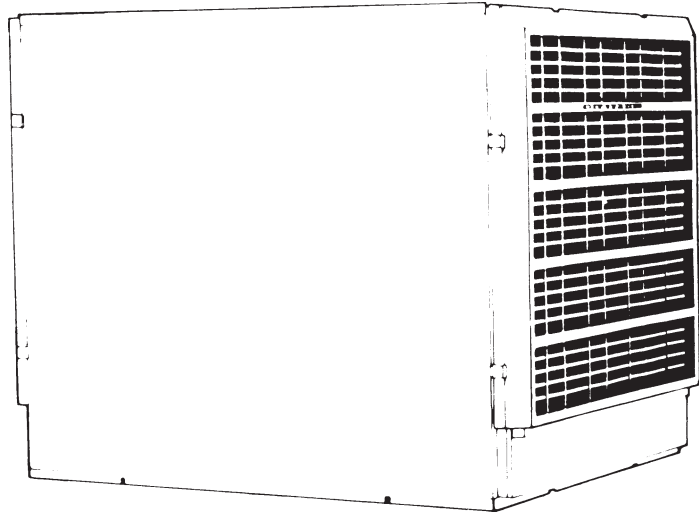


OWNERS MANUAL

MODEL NO.
ECR 3301
ECR 4000
ECR 4500
ECR 5200
ECR 6600
ECR 7200

CAUTION:
Read All Instructions
Carefully Before Starting
The Installation.

ESSICK



CONVERTIBLE DOWN/FRONT OUTLET EVAPORATIVE AIR COOLER

ESSICK AIR PRODUCTS

LITTLE ROCK, ARKANSAS 72209

CONTENTS

INSTALLATION

Tools and Supplies You Need	3
Safety Rules	3
Data	3
Locating Your Cooler	4
Converting to Side Outlet	5
Mounting Cooler	6
Electrical Connections	7
Final Assembly and Adjustment	8
Startup Check List	9

COOLER USE

Cooling Your Home	10
-------------------------	----

COOLER CARE

Spring, Summer and Fall Care	11
Taking Off and Putting on Grilles	11
Taking Off Pad	12
Cleaning	12
Putting On Pad	13
Oiling	13
Blower Belt Adjustment	13

REPAIR PARTS	38
---------------------------	-----------

INTRODUCTION

Your new air cooler uses a new design for evaporating water to cool air. The low energy use of conventional evaporative air coolers is combined with new water handling methods and materials which help overcome most rust problems of conventional coolers. Your new cooler requires no pad prewetting and is easy to clean. The compact size and modern appearance allow easy installation.

Please read our instructions before you install and use your new cooler. This will help you obtain the full benefits from your cooler and will also help you avoid any needless service costs that result from causes we cannot control and cannot cover in our warranty.

LIMITED WARRANTY

All products covered by this Instruction Sheet are warranted against defects in workmanship and materials for one year from date of sale.

This warranty does not apply to damage from accident, misuse, or alteration; nor where the connected voltage is more than 5% above the nameplate voltage; nor to equipment improperly installed or wired or maintained in violation of this Instruction Sheet. This warranty is valid only in the fifty states of the United States. No other written or oral warranty applies. No employee, agent, dealer or other person is authorized to give any warranties on behalf of ESSICK.

The customer shall be responsible for all costs incurred in the removal or reinstallation of the product for repairs. Within the limitations of this warranty, inoperative parts should be returned freight prepaid to ESSICK service center and we will repair or replace, at our option, at no charge to you with return freight paid by ESSICK. It is agreed that such repair or replacement is the exclusive remedy available from ESSICK AIR PRODUCTS and that ESSICK IS NOT RESPONSIBLE FOR DAMAGES OF ANY KIND, INCLUDING INCIDENTAL AND CONSEQUENTIAL DAMAGE. Some states do not allow the exclusion or limitation of incidental or consequential damages, so the above exclusion or limitation may not apply to you.

This warranty gives you specific legal rights, and you may also have other rights which vary from state to state.

No merchandise should be returned to ESSICK AIR PRODUCTS without return authorization. When requesting a return authorization include model numbers, part numbers, date and place of purchase.

ESSICK AIR PRODUCTS 5800 MURRAY LITTLE ROCK, ARKANSAS 72209

Note: Replacement of filter pads is normal maintenance and is not covered in the warranty.

To function properly, your cooler must be installed correctly. You must know how to use tools and equipment.

INSTALLATION

TOOLS AND SUPPLIES YOU WILL NEED

- Pliers
- Screwdrivers
- Adjustable Wrenches
- Tubing Cutter
- $\frac{5}{32}$ Hex Key Wrench
- Electric Drill
- Drill Bits
- Hammer
- Duct Caulking
- #10 Sheet Metal Screws
- Wiring Supplies, as Required by Local Electrical Code
- Level

- Duct. As Required (a local sheetmetal shop can supply ducting.)
- Equipment Suitable for installing Duct Through House Wall or Roof
- $\frac{1}{4}$ " Water Line
- Saddle Valve
- ECR-7 Wall Switch (7 position). Use ECR-5 (5 position) with existing pump type cooler wiring
- Roof Stand Kit (if cooler is roof mounted)
 - Cooler ECR 3301 - use ECK-30 kit
 - Cooler ECR 4000 - use ECK-40 kit
 - Cooler ECR 4500 - use ECK-40 kit
 - Cooler ECR 5200 - use ECK-50 kit
 - Cooler ECR 6600/7200 - use ECK-60 kit

RULES FOR YOUR SAFETY

1.

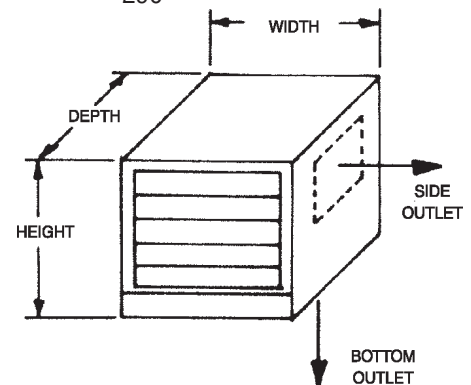
WARNING

TO AVOID FIRE, SHOCK, OR SERIOUS PERSONAL INJURY FOLLOWING THESE INSTRUCTIONS.
2. The installation must conform to local codes and utility standards. Use the National Electric Code if a local code does not exist.
3. Disconnect the electric power EVERY TIME you work on your cooler. When your hands are inside the cooler you risk injury if the cooler is accidentally turned on from inside the home.
4. If you mount the cooler on your home roof remember these safety tips:
5. Never install or service a cooler during a storm or high wind conditions. You could be injured or lose or damage parts.
6. Never wear shoes with slick soles when you work on a roof. You may slip when you least expect it.
7. Never drain water onto a roof. Water residue may cause you to slip or may stain your roof. Use a drain hose to run the drain water to a rain gutter or to a drain.
8. To avoid injury never use the cooler without connecting it to a house duct system or without a sturdy fine mesh guard over the outlet.

DATA

Model No.	Cabinet Dimensions (inches)			Air Output Opening (inches)		Operating Lbs. Weight (with water)
	Height	Width	Depth	Height	Width	
ECR 3301	25 $\frac{1}{4}$	25 $\frac{1}{4}$	39 $\frac{1}{8}$	13 $\frac{3}{4}$	13 $\frac{3}{4}$	140
ECR 4000	29 $\frac{3}{4}$	29 $\frac{3}{4}$	35 $\frac{3}{16}$	17 $\frac{3}{4}$	17 $\frac{3}{4}$	190
ECR 4500	29 $\frac{3}{4}$	29 $\frac{3}{4}$	35 $\frac{3}{16}$	17 $\frac{3}{4}$	17 $\frac{3}{4}$	195
ECR 5200	33 $\frac{3}{4}$	33 $\frac{3}{4}$	37 $\frac{1}{2}$	19 $\frac{3}{4}$	19 $\frac{3}{4}$	235
ECR 6600	36 $\frac{3}{4}$	36 $\frac{3}{4}$	42 $\frac{13}{16}$	19 $\frac{3}{4}$	19 $\frac{3}{4}$	285
ECR 7200	36 $\frac{3}{4}$	36 $\frac{3}{4}$	42 $\frac{13}{16}$	19 $\frac{3}{4}$	19 $\frac{3}{4}$	290

Model No.	ESSICK EVAPORATIVE PAD USAGE	OUTPUT RATINGS (Cubic Feet per Minute) Industry Sizing Rating
	Essick Pad Number	
ECR 3301	EP-30	3300 cfm
ECR 4000	EP-40	4000 cfm
ECR 4500	EP-40	4500 cfm
ECR 5200	EP-50	5200 cfm
ECR 6600	EP-60	6600 cfm
ECR 7200	EP-60	7200 cfm



INSTALLATION

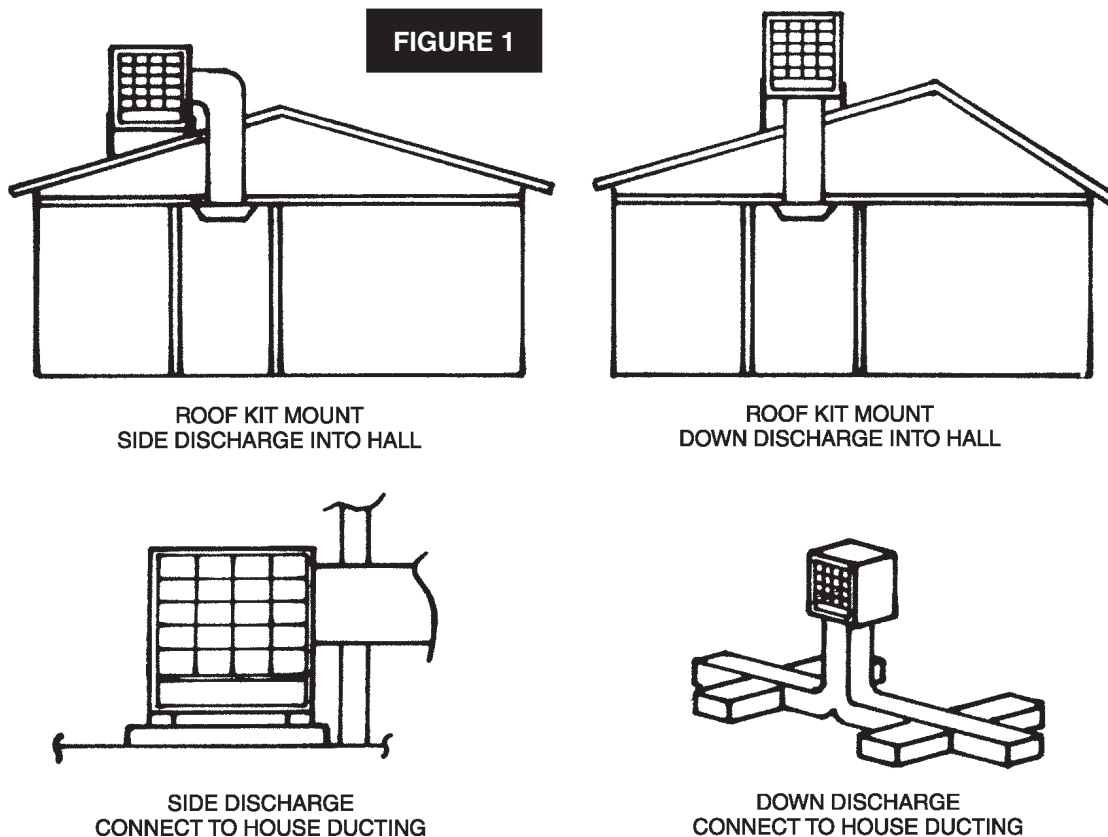
LOCATING YOUR COOLER

This new design Essick cooler may be installed as a bottom or side air outlet cooler. The cooler must be securely fastened to a frame or pad mount. A roof kit is available from Essick.

A duct must be attached to the cooler outlet. The duct must be the same size as the cooler outlet. Sudden duct size changes will decrease the output of your cooler.

The cooler installation must comply with local codes. If you are not fully qualified to install a cooler, get professional help.

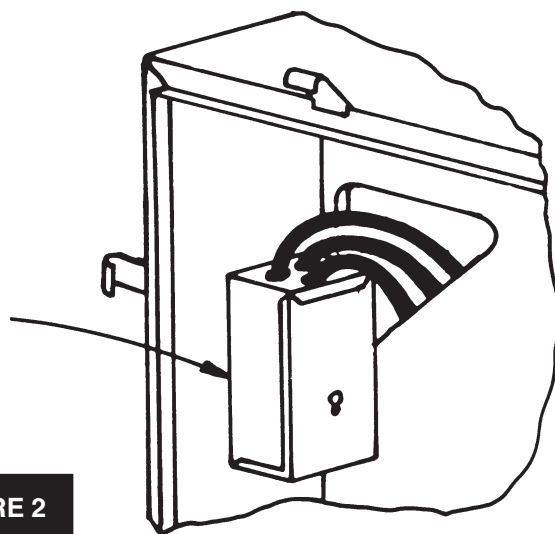
Figure 1 shows some locations for your cooler. Be sure the intake louvers are clear of obstructions and are accessible for removal. Do not locate the cooler near vent pipes, chimneys, or exhausts where odors or fumes may be drawn into the house. The two drain holes on the cooler bottom must be clear to allow overflow or drain access.



WIRING BOX

The wiring box is inside the cooler cabinet. The electrical supply must be connected to the cooler power leads inside the box after the cooler is installed. The wiring box is factory installed for coolers used in the down air outlet position.

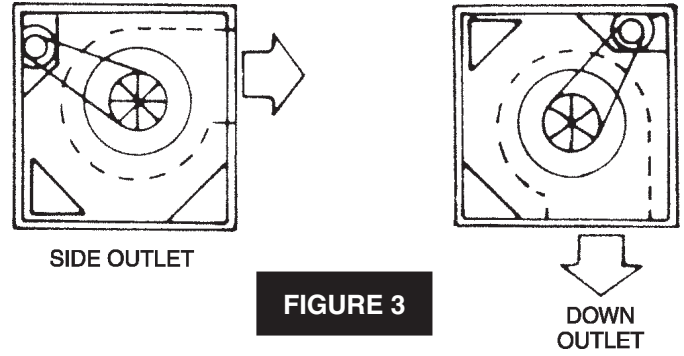
IF YOU INSTALL THE COOLER IN THE SIDE AIR OUTLET POSITION THE WIRING BOX MUST BE MOVED. SEE PAGE 5.



INSTALLATION

CONVERTING COOLER TO SIDE AIR OUTLET (Fig. 4)

1. Remove both louvers and set them where they will not fall. See pg. 11.
2. Remove four louver clips on side opposite motor.
3. Remove a reservoir by pushing the water crossover tube from the grommet and lifting out the reservoir.
4. Remove the second reservoir as above.
5. Remove the screw that holds the wiring box.
6. Remove $\frac{1}{8}$ inch diameter and $\frac{7}{8}$ inch diameter knockouts.
7. Remove two plastic plugs.
8. Loosen screw holding pad motor receptacle bracket, slide bracket up and detach from cabinet flange. Repeat on other side.
9. Turn cooler to side outlet position.



REASSEMBLY AS SIDE OUTLET COOLER (Fig. 5)

1. Move wiring box to new location.
2. Secure wiring box with screw removed at disassembly.
3. Install four louver clips removed at disassembly.
4. Install two receptacle brackets removed at disassembly.
5. Install two plastic plugs removed at disassembly.
6. Assemble reservoirs, crossover tube and louvers **after** the cooler is installed in location. Use soap or detergent to lubricate crossover tube before inserting into grommet. **DO NOT USE OIL.**

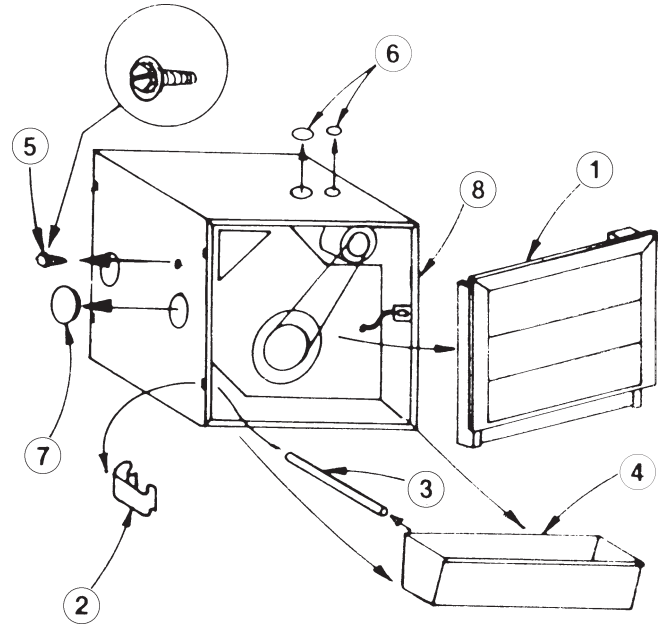


FIGURE 4

ROUTE WIRES INSIDE OF PANEL

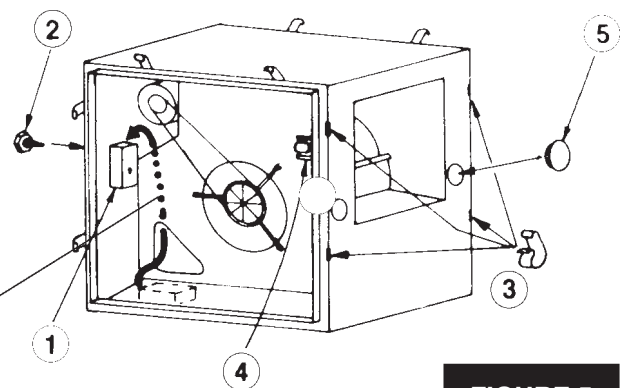


FIGURE 5

INSTALLATION

LIFTING COOLER

CAUTION: DO NOT LIFT ON THE LOUVERS. REMOVE THE LOUVERS BEFORE LIFTING. DO NOT LIFT ON THE CENTER OF THE CABINET FLANGES.

Lift at cabinet corners. The cooler may be lifted by putting a bar or strap through the panel hole and lifting by means of the bar or strap.

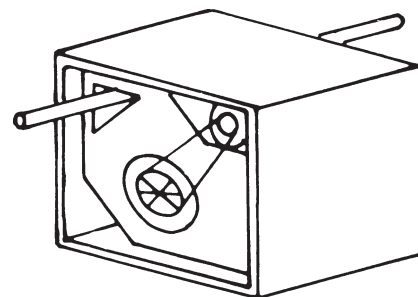


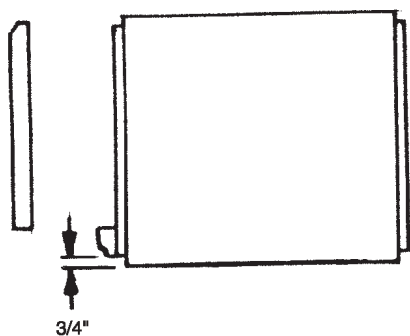
FIGURE 6

MOUNTING COOLER

1. Prepare duct to fit model used. See outlet size specifications on page 3.
2. Cut opening in roof or wall and box in opening.
3. Install duct and secure to boxed-in opening frame. Allow two inches to fit into cooler outlet. Allow duct length for cooler bottom to be 4 inches above roof at closest point. See figure 7.
4. Install flashing on roof or wall to prevent water entry.
5. Measure cooler and lay out mount location.

NOTE: THE BOTTOM EDGE NEAREST THE OUTLET MUST FACE UP THE ROOF.

6. Mount cooler on stand or pad. Cooler must be level front to back and left to right. Roof stand kits are available.
7. Be sure to securely fasten four corners of cooler to stand or pad.
8. Caulk duct to the cooler. Caulk the flashing.



3/4"
MAXIMUM HEIGHT FOR STAND SIDE EDGE TO ALLOW RESERVOIR CLEARANCE

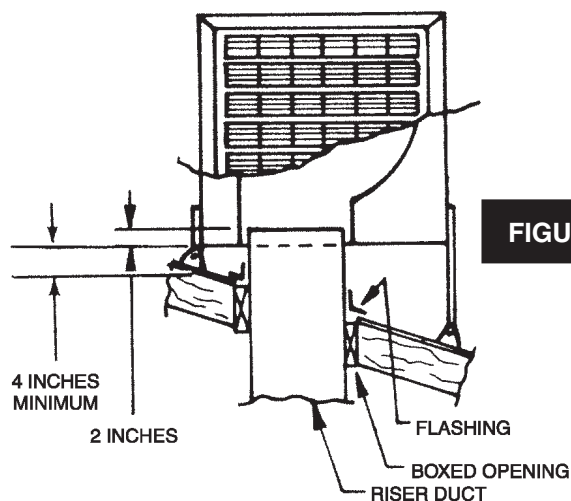
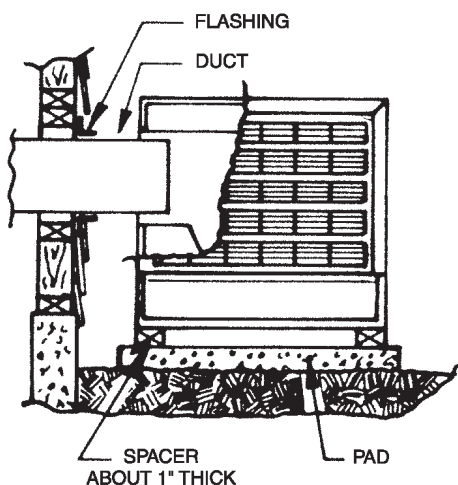
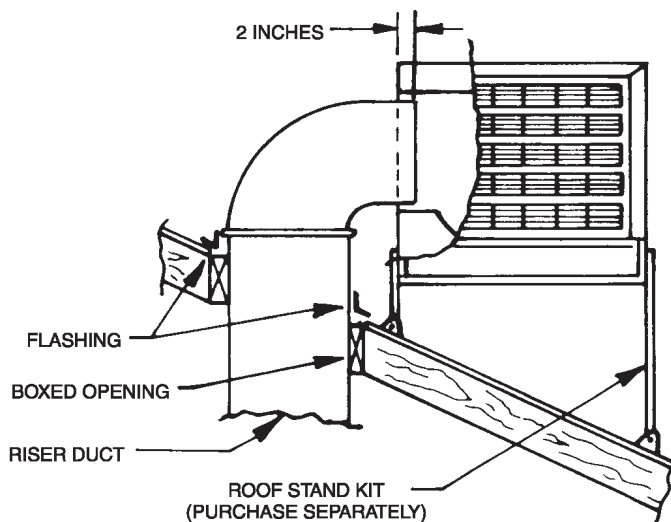


FIGURE 7

INSTALLATION

ELECTRICAL CONNECTIONS

The wiring must comply with local codes. If you are not familiar with the codes or wiring practices, get professional help.

Use only an Essick ECR-5 or ECR-7 wall mounted switch. This new cooler does not require prewetting the pads before starting cooling and does not have a pump. **Existing switches with "pump only" position are not usable.**

WARNING: TO REDUCE THE RISK OF FIRE OR ELECTRIC SHOCK, DO NOT USE THIS FAN WITH ANY SOLID STATE SPEED CONTROL DEVICE.

CAUTION: SHUT OFF THE ELECTRIC POWER AT THE FUSE BOX BEFORE BEGINNING THE WIRING.

NEW INSTALLATIONS

Use the Essick ECR-7 switch which has four cooling positions and two vent positions:

- Maximum Cool - high and low
- Minimum Cool - high and low
- Vent - high and low

This switch requires six wires to the cooler (including cooler grounding conductor).

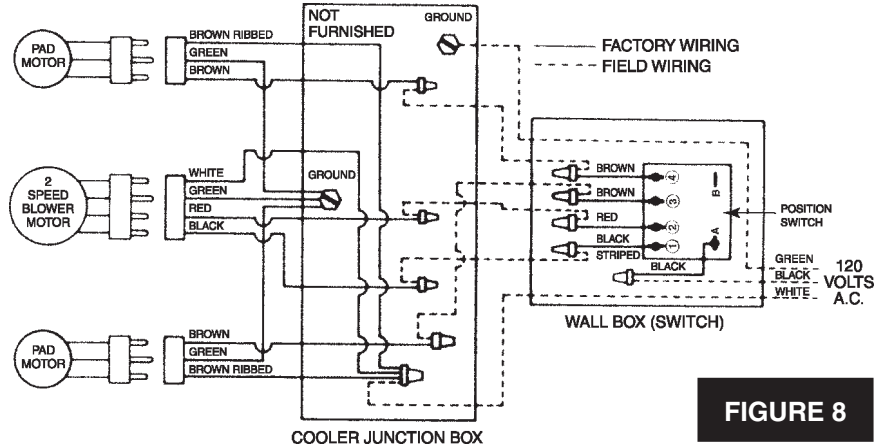


FIGURE 8

COOLER CHANGEOUT INSTALLATIONS

The Essick ECR-5 switch is suitable for existing installations where five wires go to the cooler (including cooler grounding conductor). There are two cool positions and two vent positions.

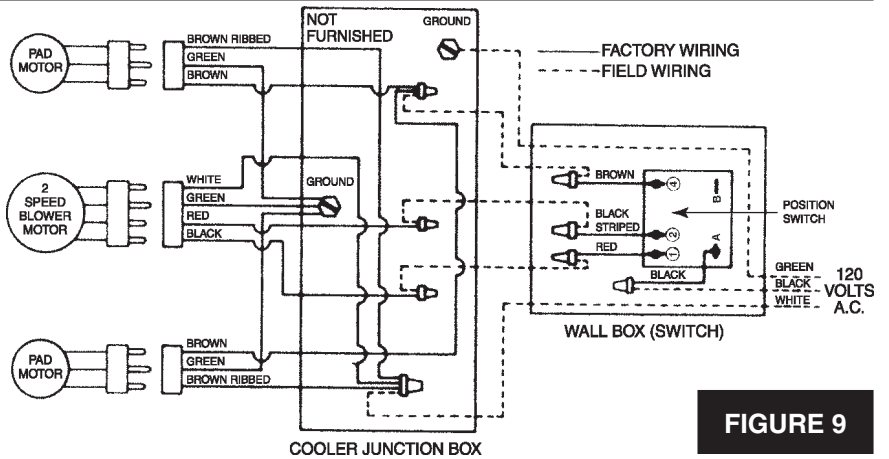


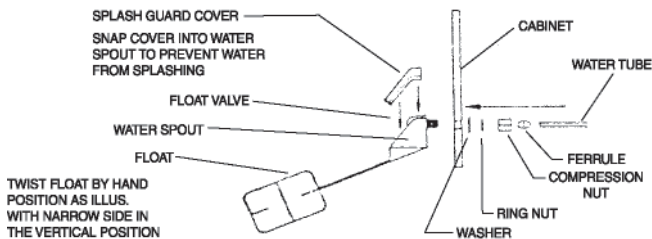
FIGURE 9

FLOAT VALVE INSTALLATION INSTRUCTIONS

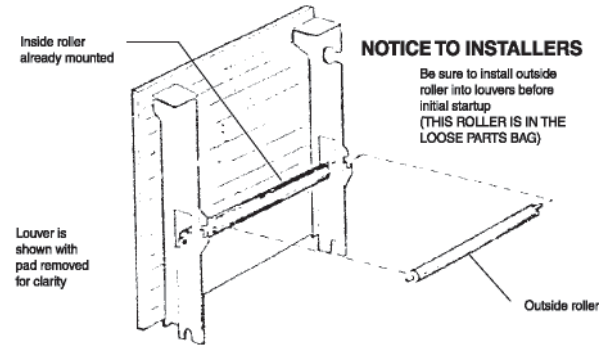
It is of the Utmost Importance that the Float Valve, Splash Guard and Splash Guard Cover be installed exactly as described in the illustration below.

1. The Float Valve - Must be installed with the narrow side of the float in the vertical position. If not installed this way the float will hang up and cause the reservoir drain pipes to overflow.

2. The Water Spout and Water Spout Cover are provided to prevent water from "spurting" and splashing outside of the reservoirs. Snap in the Splash Guard Cover as illustrated below.



INSTALLATION OF OUTSIDE ROLLERS



INSTALLATION

FINAL ASSEMBLY AND ADJUSTMENT

PUT FLOAT VALVE IN COOLER

Put the float valve through the spout hole and cabinet hole. Tighten the ring nut. Be sure the float moves straight up and down. **TURN THE FLOAT UNTIL A NARROW SIDE IS UP.** Snap the Splash Guard Cover into the Water Spout as shown. The Water Spout and Splash Guard Cover are provided to prevent water from “spurting” and splashing outside the Water Reservoir.

CONNECT WATER LINE

Use a saddle valve to connect 1/4 inch water line to house cold water pipe or use an outdoor faucet adapter. Put the line into the valve. Tighten the compression nut over the ferrule. **RUN WATER TO CLEAR LINE BEFORE CONNECTING TO COOLER.** Put line into float valve. Tighten the compression nut over the ferrule.

PUT IN WATER TRAYS (Fig. 11)

1. Push the drain fitting through the washer and water tray hole. Tighten the ring nut. Screw the overflow pipe into the drain fitting. Repeat for the second tray.

NOTE: INSTALL DRAIN FITTING INVERTED IF COOLER IS MOUNTED ON A PAD. CUT OFF THE OVERFLOW PIPE TOP FLUSH WITH THE HEXAGONAL RING.

2. Put in the float valve side tray first. The crossover tube & grommet **MUST** be on the float valve side. (Fig. 12)
3. Push the crossover tube into the grommet. Use soap or detergent as a lubricant. **DO NOT USE OIL.**
4. Put the second water tray in place. Push the crossover tube into the grommet.
5. Turn on the water. Check the water level when the valve shuts off. If the water level is above the tray water level mark bend the float rod down. If the level is too low, bend the rod up. (Fig. 11)

NOTE: CHECK THE CROSSOVER PIPE GROMMETS AND ALL CONNECTIONS FOR LEAKS.

PUT LOUVERS ON COOLER

See page 11.

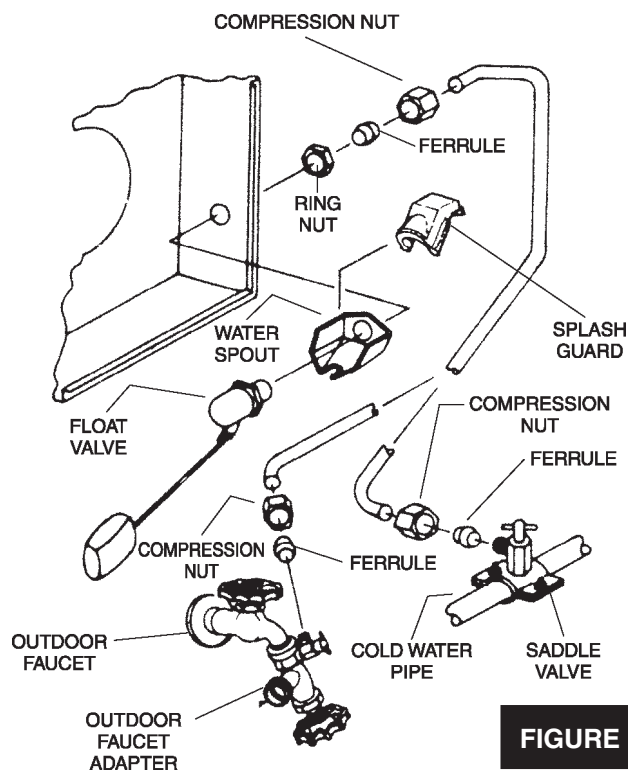


FIGURE 10

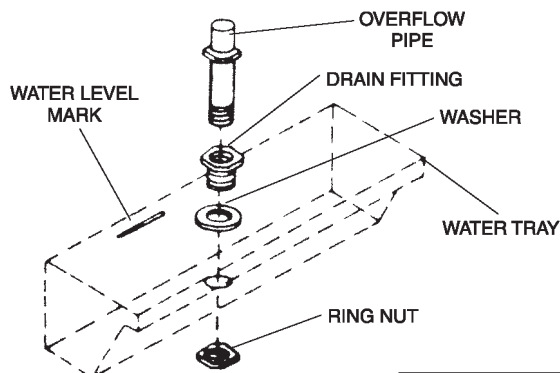


FIGURE 11

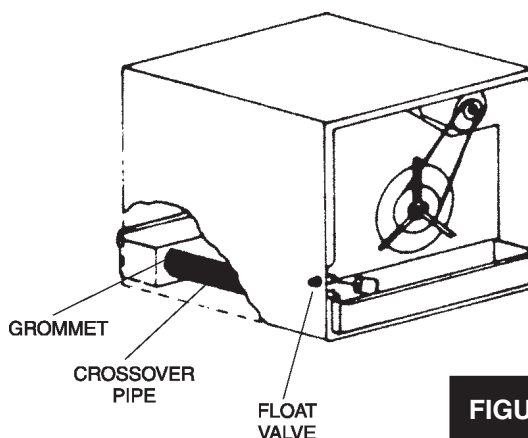


FIGURE 12

INSTALLATION

MOTOR PULLEY ADJUSTMENT

NOTE: ALL DUCT CONNECTED COOLERS MUST BE ADJUSTED.

Long or small air ducts have excessive air resistance which decreases air output and motor amperage. You may compensate for this by adjusting the motor pulley. Use a clamp type ampmeter to check the motor amperage.

1. Check amperage at the white lead in the wiring box.
2. If the amperage is less than the motor nameplate amperage, loosen the pulley pitch adjustment screw, turn in the pulley 1/2 turn, tighten the screw and recheck the amperes. Repeat as necessary to bring the amperage to the nameplate rating.
3. If the amperage is too high, turn out the pulley as required.
4. Adjust the belt tension as required. (See page 13)

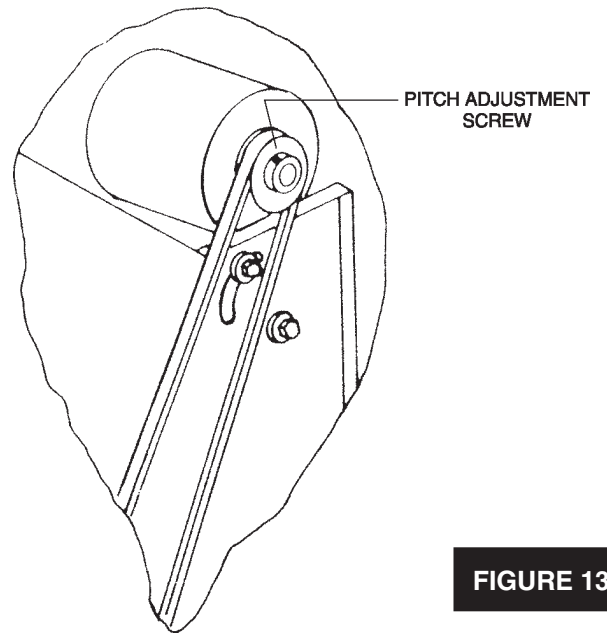


FIGURE 13

IMPORTANT

NOTE: When checking amperage with the ampmeter, all louvers **must be in place** in the cooler, otherwise incorrect setting of the drive pulley will occur.

STARTUP INSPECTION

Before starting the cooler, make sure all installations and adjustments are correct. Be sure that:

- Cooler is level and duct is sealed.
- Cabinet is securely fastened to the mount.
- Cooler is grounded. Electrical connections are secure.
- Blower wheel does not rub against housing.
- Water supply is turned on.
- Water line is connected securely and fittings and crossover tube grommets do not leak.
- Float is adjusted for proper water level.
- Pulley alignment is OK. Belt tension is OK (See page 13).
- Pads are correctly installed (See page 13).
- Blower and both pad motors are plugged into receptacles.
- All louver clips are snapped tight.

STARTUP CHECK LIST

To check out the installation follow this startup procedure. Set the control to each position and check operation per the following chart. Be sure to open windows or vents.

OPERATION WITH ESSICK SWITCH ECR-5
(Five Position)

Switch	Blower Motor	Pad Motors
Off	Off	Off
Low Vent	Low	Off
High Vent	High	Off
Low Cool	Low	On
High Cool	High	On

OPERATION WITH ESSICK SWITCH ECR-7
(Seven Position)

Switch	Blower Motor	Pad Motors
Off	Off	Off
Low Vent	Low	Off
High Vent	High	Off
Minimum Cool — Low	Low	One On
Minimum Cool — High	High	One On
Maximum Cool — Low	Low	Both On
Maximum Cool — High	High	Both On

HOW TO USE YOUR COOLER

HOW YOUR COOLER WORKS

Your cooler evaporates water to cool air. Evaporative air cooling is the same natural cooling that happens when a breeze springs up after a summer shower. You feel cool because the rain water evaporates and carries away heat.

Your new cooler has a motor (1) driven blower (2) which draws outside air through pads (3) which are turned by drive motors (4). The pads turn through water in trays (5) filled by the water float valve (6) and water crossover pipe (7). Air passes through the pads, is cooled by water evaporation, and is sent into your home.

If the output air is too cool you may switch this cooler from "Maximum Cool" to "Minimum Cool" (when used with ESSICK ECR-7 7-position wall switch). Then only one pad will turn, reducing the cooling effect. You may also run the cooler in "Vent" when you want fresh air and no cooling.

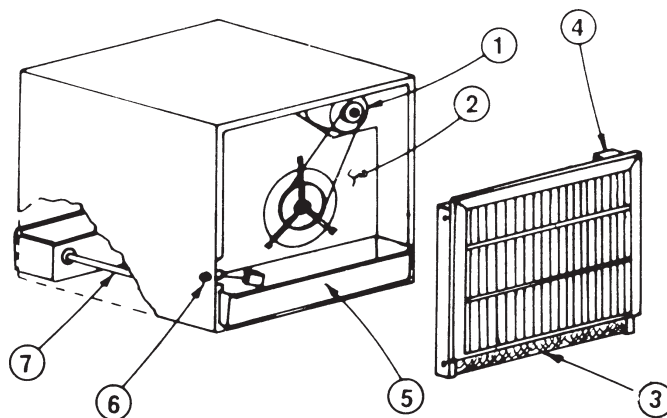


FIGURE 14

COOLING YOUR HOME

Your cooler and windows or vents are the two parts of your air cooling system. Outside air is filtered and cooled, goes through your home, and carries away heat and household odors. You control the air cooling flow to your rooms by opening doors, windows, or vents.

You must have window, door, or vent openings to let air out when the cooler runs. The total opening areas you need are shown below:

MODEL	TOTAL OPENING AREA
ECR 3301	5 Square feet minimum
ECR 4000	8 Square feet minimum
ECR 4500	9 Square feet minimum
ECR 5200	10 Square feet minimum
ECR 6600	12 Square feet minimum
ECR 7200	14 Square feet minimum

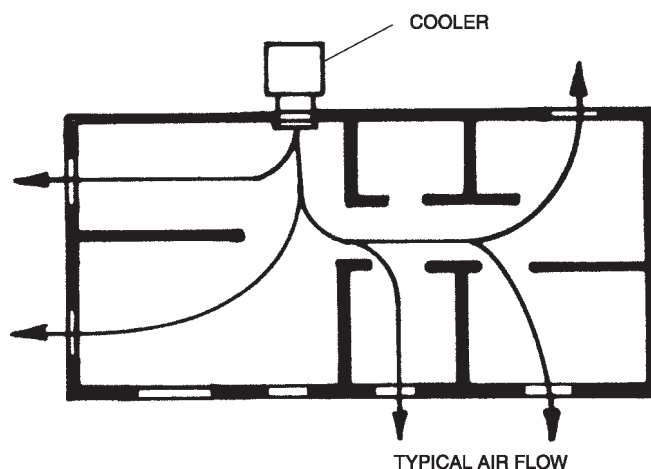


FIGURE 15

CARE OF YOUR COOLER

CAUTION: ALWAYS SHUT OFF THE ELECTRIC POWER TO THE COOLER AT THE FUSEBOX BEFORE WORKING ON THE COOLER. WHEN YOUR HANDS ARE INSIDE THE COOLER YOU RISK INJURY IF THE COOLER IS ACCIDENTALLY TURNED ON INSIDE THE HOUSE.

SPRING CARE:

Clean your cooler. (See page 12)

Oil your cooler. (See page 13)

Put a new pad in if the old pad is plugged with dirt or water hardness. (See page 13)

Check belt tightness. (See page 13)

See lubrication instructions. (See page 13)

SUMMER CARE:

Drain and clean the cooler every two months if your water is hard or the air is dusty. (See page 12)

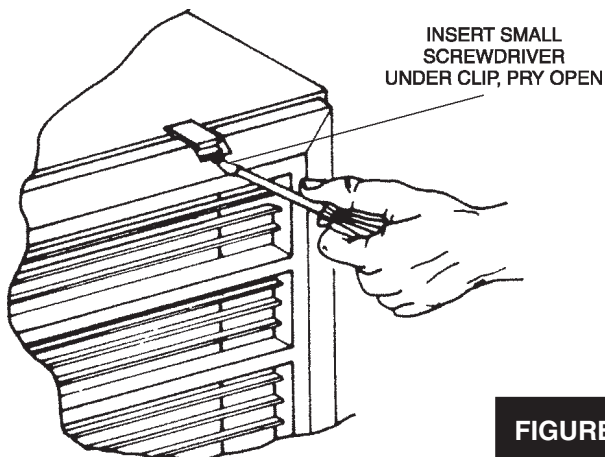
You may prolong pad life in many hard water areas if you drain the water tray every two to three weeks. (See page 12, steps 1-4).

See lubrication instructions. (See page 13)

TAKING OFF LOUVER (Fig. 16)

CAUTION: TO PREVENT ACCIDENTAL INJURY, SHUT OFF THE ELECTRIC POWER AT THE FUSEBOX BEFORE WORKING ON THE COOLER.

1. Unsnap the six louver clips. Use a small screwdriver.
2. Tilt out the louver at the top. Unplug the pad motor plug.
3. Take off the louver. Set it where it will not fall.



NEVER WEAR SHOES WITH SLICK SOLES WHEN YOU WORK ON A ROOF. YOU MAY SLIP WHEN YOU LEAST EXPECT IT.

NEVER DRAIN WATER ONTO A ROOF. WATER RESIDUE MAY CAUSE YOU TO SLIP OR MAY STAIN YOUR ROOF. USE A DRAIN HOSE TO RUN WATER TO A RAIN GUTTER OR TO THE GROUND.

FALL CARE:

Drain the cooler and water line to prevent frost damage. (See page 12)

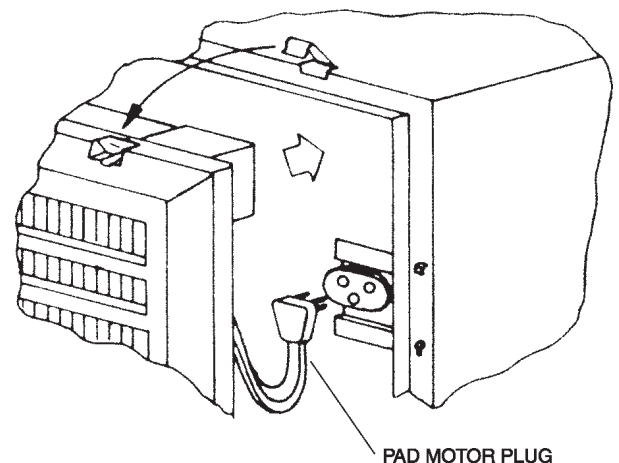
Clean the cooler. (See page 12)

Cover the cooler.

See lubrication instructions. (See page 13)

PUTTING ON LOUVER (Fig. 17)

1. Be sure the blower motor is plugged in.
2. Put the louver bottom into the water tray.
3. Plug in the pad motor plug.
4. Close the louver over the cabinet flange. Snap the six clips onto the louver.



CARE OF YOUR COOLER

TAKING OFF PAD (Fig. 18)

1. Lift up the small roller ends to unsnap the two center rollers. Pull out the two small rollers.
2. Pull out and turn the top roller bearing arm to line up the slot.
3. Pull out the top roll end.
4. Take out the pad and bottom roller which will slide out of the bottom slots.

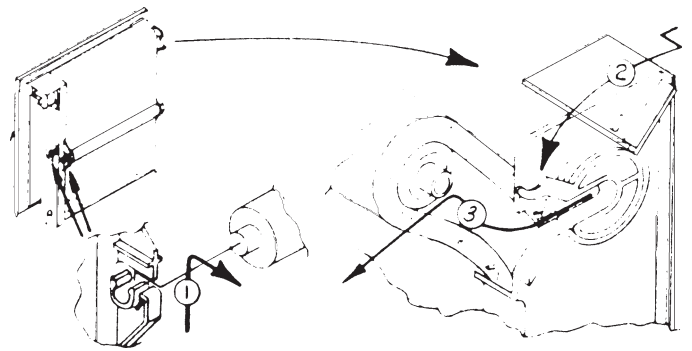


FIGURE 18

CLEANING YOUR COOLER (Fig. 19)

WARNING: NEVER WASH YOUR COOLER INTERIOR WITH A GARDEN HOSE. WATER MAY HARM THE MOTORS OR GET INTO YOUR HOUSE.

Clean your cooler as follows:

1. **DISCONNECT THE ELECTRIC POWER AT THE FUSE BOX.**
2. Remove the louvers. (See page 11)
3. Connect a garden hose to a water tray drain fitting.
4. Turn out the overflow pipe to drain the tray.

NEVER DRAIN WATER ONTO A ROOF. WATER RESIDUE MAY CAUSE YOU TO SLIP OR MAY STAIN YOUR ROOF. USE A DRAIN HOSE TO RUN WATER TO A RAIN GUTTER OR TO A DRAIN.

5. Drain the other tray.
6. Take off the pads if they are dirty or plugged.
7. Use a sponge and mild detergent to wash the dirt and scale from the trays and louvers. **DO NOT GET WATER ON THE PAD MOTORS.**
8. If the pads are plugged with hard water deposits and dirt, replace the pads. See page 13.
9. Put the overflow pipes and grilles in place. (See page 11)

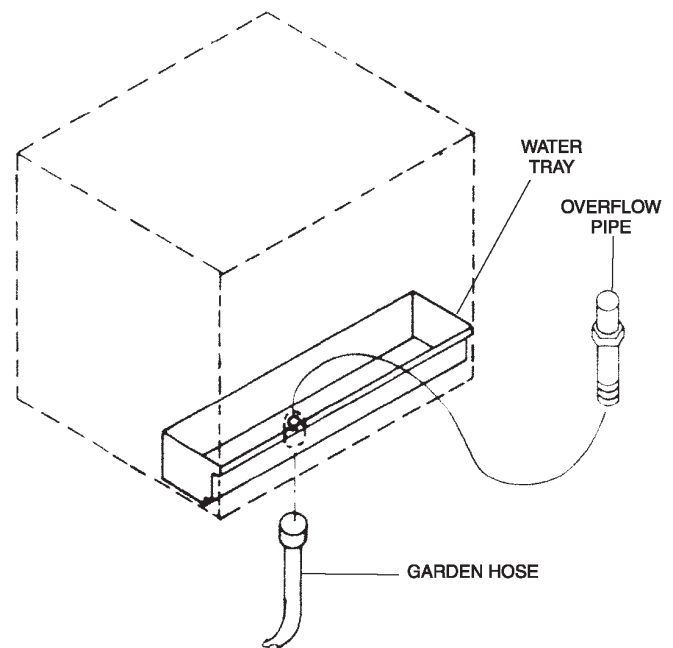


FIGURE 19

Operation of Roto Belt Coolers in “Hardwater” Areas.

1. Clean the cooler frequently.
2. Remove mineral buildup from water troughs and Roto Belt to prevent clogging.
3. A water analysis will determine: mineral content, what water treatments can be used, what cleaning agents should be used.
4. A “bleed-off” kit (Stock No. 8C190) should be installed to help keep mineral buildup to a minimum.

CARE OF YOUR COOLER

PUTTING ON NEW PAD (Fig. 20)

THE PADS NEED NO PREWETTING.

1. Put the lower roller in pad.
2. Fit the lower roller into the bottom slots in the frame.
3. Push the top roller through the pad. Fit the roll end over the pad motor shaft drive block.
4. Push the top roller end into the bearing.
5. Turn the bearing arm to hold the roller.
6. Tuck the pad edges under the 2 guides on each side.
7. Put the two small center rollers in place. Snap the ends into the holders. (See greasing instructions below).

OILING (Fig. 21)

Use electric motor oil available or SAE 20 or 30 nondetergent oil. Oil your cooler once a year.

1. Fill the two blower shaft bearing cups.
2. Put two or three drops in the two oil fill tubes on the blower motor. Some motors do not need oil. If motor does not have oil tubes, then the motor does not require oiling.
3. Put two or three drops in the end bearing on each pad motor.

BLOWER BELT ADJUSTMENT (Fig. 22)

CAUTION: DO NOT ADJUST BELT TENSION BY CHANGING THE DIAMETER OF THE MOTOR PULLEY. ADJUST BELT TENSION ONLY BY MOVING THE MOTOR BRACKET.

1. If you can easily move the belt over 1 inch, it needs adjustment.
2. To adjust belt tension, loosen the three motor mount bolts.
3. Push the motor to tighten the belt, until it moves about 1/2 inch with finger force.
4. Tighten the three motor mount bolts.

REPLACEMENT PADS

MODEL NUMBER	PAD NUMBER
ECR 3301	EP-30
ECR 4000	EP-40
ECR 4500	EP-40
ECR 5200	EP-50
ECR 6600	EP-60

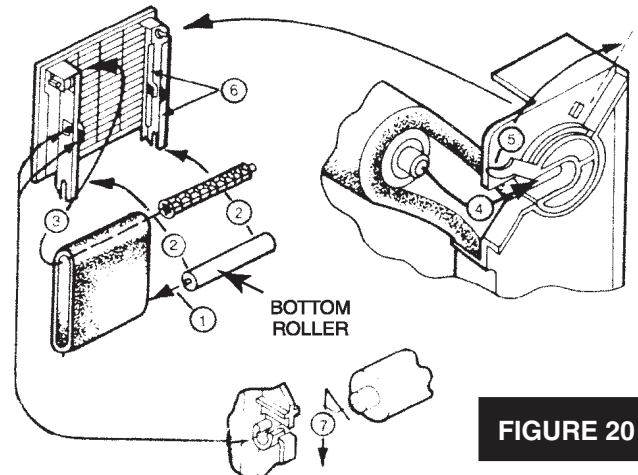


FIGURE 20

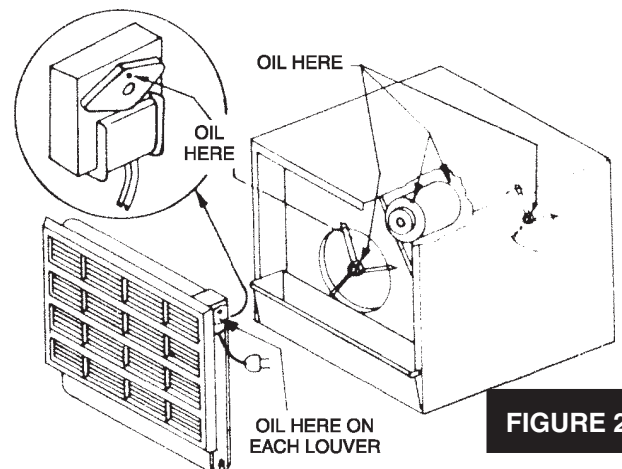


FIGURE 21

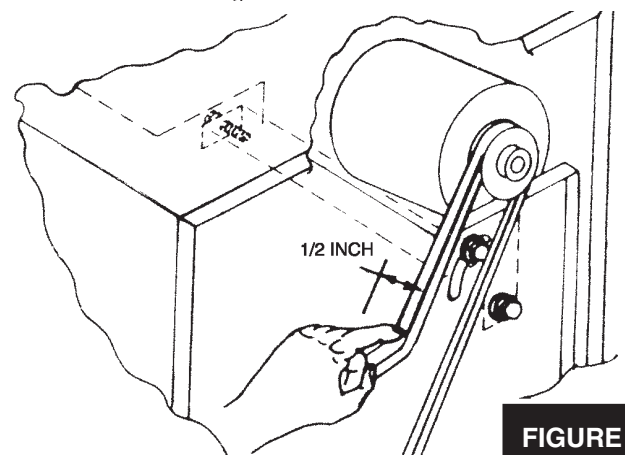
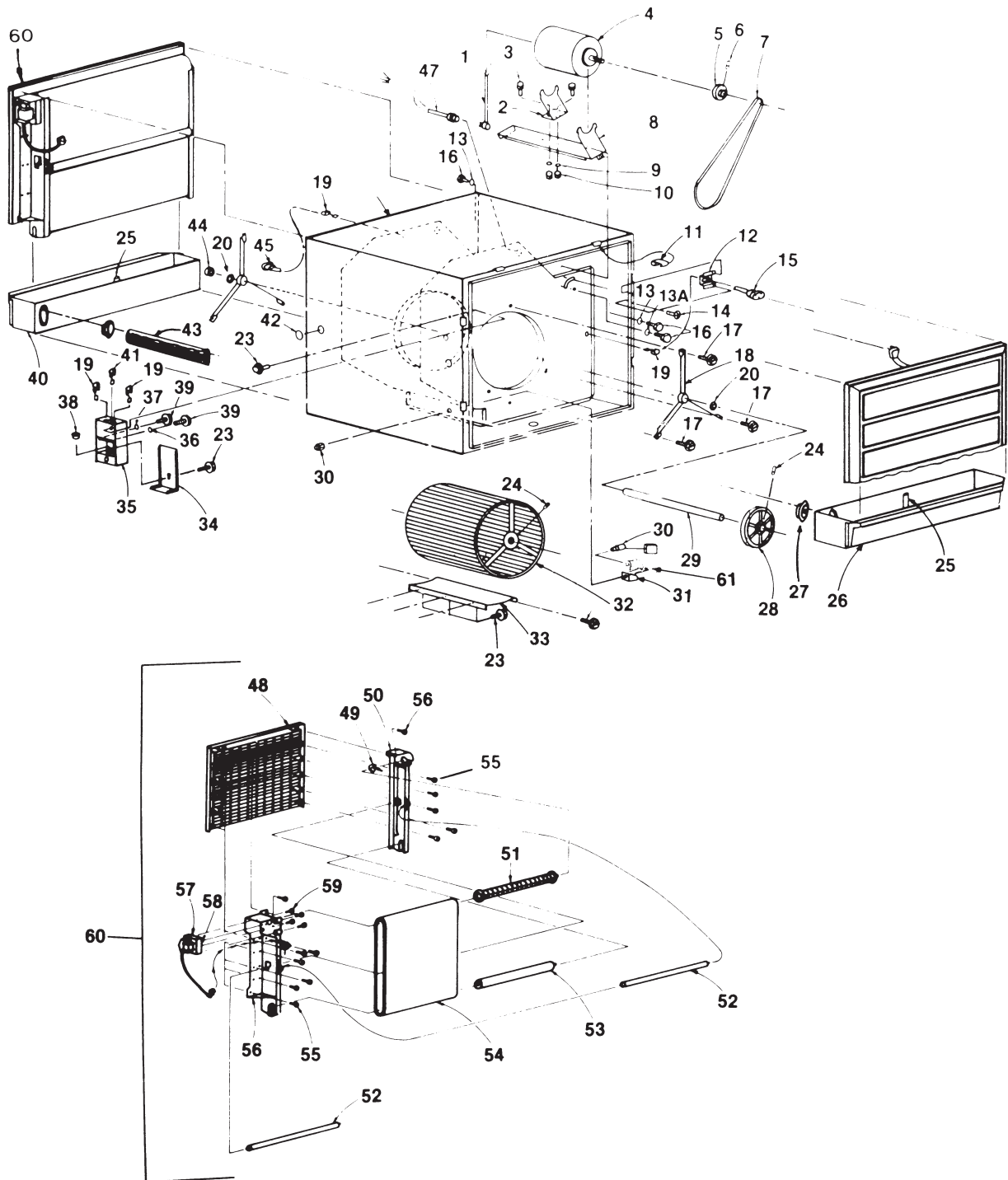


FIGURE 22

REPAIR PARTS

ESSICK CONVERTIBLE DOWN/FRONT OUTLET EVAPORATIVE AIR COOLER MODEL NOS. ECR 3301, ECR 4000, ECR 4500, ECR 5200, ECR 6600, ECR 7200



REPAIR PARTS

ESSICK CONVERTIBLE DOWN/FRONT OUTLET EVAPORATIVE AIR COOLER MODEL NOS. ECR 3301, ECR 4000, ECR 4500, ECR 5200, ECR 6600, ECR 7200

NOTICE: Order by PART NUMBER, not by Key Number. Refer to the back cover of this manual for parts ordering information.

KEY NO.	PART NUMBER				PART NAME
	ECR 3301	ECR 4000/4500	ECR 5200	ECR 6600/7200	
1	30439	30439	30439	30439	Motor Plug
2	50255	50255	50255	50255	Motor Tail Mount
3	05466-04	05466-04	05466-04	05466-04	Machine Screw 5/16 - 18 x 3/4
4	581189	581188/50310	50310	30491/581191	Motor
5	30315	30315	30315	30315/583054	Pulley - includes Key 6
6	586026	586026	586026	586026	Set Screw 5/16 - 18 x .25 Hex. Socket
7	582004	582010/582030	31720	582088	V-Belt
8	30306	30305-00	30304-00	30304-00	Motor Mount
9	05507	05507	05507	05507	Lock Washer 5/16 Helical Spring
10	05480	05480	05480	05480	Hex Nub 5/16 - 18
11	30105	30105	30105	30105	Clip
12	30311-00	30311-00	30311-00	30311-00	Receptacle Mount
13	50294	50294	50294	50294	Lock Washer - 5/16 internal tooth
13A	30550	30550	30550	30550	Lock Washer
14	30347	30347	30347	30347	Screw #8 - 18 x 3/8 Phillips, Type AB
15	30433	30433	30433	30432	Pad Motor Connector
16	30551	30551	30551	30551	Machine Screw 5/16 - 18 x 3/8
17	30549/08133	30549/08133	30549/08133	30549/08133	Screw 1/4 - 14 x 3/8 Type B
18	30287	30289	30288	30288	Bearing Mount (includes #21, 22)
19	14864	14864	14864	14864	Bushing
20	501244	501241	501241	501241	Thrust Washer
23	30347	30347	30347	30347	Screw #8 - 18 x 1/2, Type B
24	586026	586026	586026	586026	Set Screw 5/16 - 18 Socket
25	31086	31086	31086	31086	Overflow Drain Kit
26	32013-10	32019-10	302025-10	32031-10	Reservoir
27	31984	31984	31984	31984	Grommet
28	583009	30314/583013	30314	30314	Pulley - includes Key 24
29	30241	30238-02	30238-01	30238-01	Shaft
30	502389	502389	502389	502389	Float Valve Assembly
31	30418-01	30418-01	30418-01	30418-01	Water Shield
32	30318	30322	30323	30323	Blower Wheel
33	30208	30177	30148	30167	Baffle
34	30205	30205	30205	30205	Junction Box Cover
35	30202	30202	30202	30202	Junction Box
36	27835	27835	27835	27835	Cupped Washer
37	14982	14982	14982	14982	Lock Washer #8 Star
38	29816	29816	29816	29816	Bushing
39	30585	30585	30585	30585	Screw #8 - 32 x 7/16, Type T, Green
40	32013-20	32019-20	302025-20	32031-20	Reservoir
41	30552	30552	30552	30552	Bushing
42	29996	29996	29996	29996	Plug
43	31985-01	31985-03	31985-02	31985-02	Tube
44	501280	501243	501243	501243	Collar
45	30433	50485	50489	50487	Pad Motor Connector
47	30440	30878	30440	30441	Motor Connector
48	29931-01	30214-01	30254-01	29738-01	Louver
49	31047	31047	31047	31047	Bearing
50	30296-01	30206-01	30250-01	29817-01	Side Support
51	30248	30224-01	30244-01	29861-01	Top Roller
52	30234	30211	30235	30127	Roller
53	30236	30212	30237	30119	Bottom Roller
54	EP-30	EP-40	EP-50	EP-60	Evaporator Pad (2 Req.)
55	30465	30465	30465	30465	Screw #10 - 16 x 7/8
56	30297-01	30233-01	30256-01	29815-01	Motor Side Support
57	30336	30336	30336	30336/00061	Pad Motor
58	29862	29862	29862	29862	Roller Drive
59	586023	586023	586023	586023	Screw #10 - 32 x 3/8
*	50209-3	50209-3	50209-3	50209-3	Owners Manual
60	30339	30338	30337	30332	Louver Assembly includes Keys 48-59
*	ECK-30	ECK-40	ECK-50	ECK-60	Roof Stand Kit - Optional
*	ECR-5	ECR-5	ECR-5	ECR-5	5 Position Switch (Not Supplied)
*	ECR-7	ECR-7	ECR-7	ECR-7	7 Position Switch (Not Supplied)
61	523122	523122	523122	523122	Splash Guard Cover

*Unillustrated items



owners manual

MODEL NO.

ECR 3301

ECR 4000

ECR 4500

ECR 5200

ECR 6600

ECR 7200

HOW TO ORDER REPAIR PARTS

ESSICK

CONVERTIBLE DOWN/FRONT OUTLET EVAPORATIVE AIR COOLER

The model number of your cooler will be found on a label fastened to the housing.

WHEN ORDERING REPAIR PARTS, ALWAYS GIVE THE FOLLOWING INFORMATION:

- PART NUMBER
- PART DESCRIPTION
- MODEL NUMBER
- NAME OF ITEM

HOW TO ORDER REPAIR PARTS

All parts listed herein may be ordered through our service center by writing:

ESSICK AIR PRODUCTS

5800 MURRY • LITTLE ROCK, ARKANSAS 72209
501-562-1094