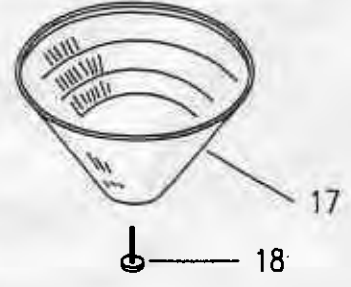
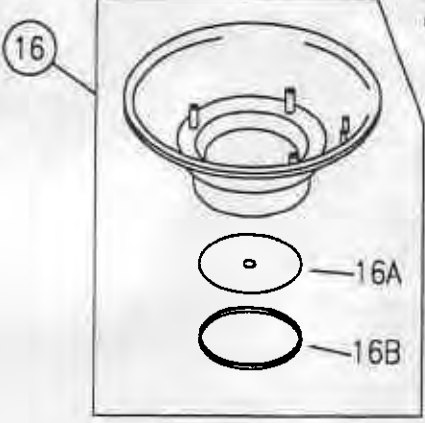
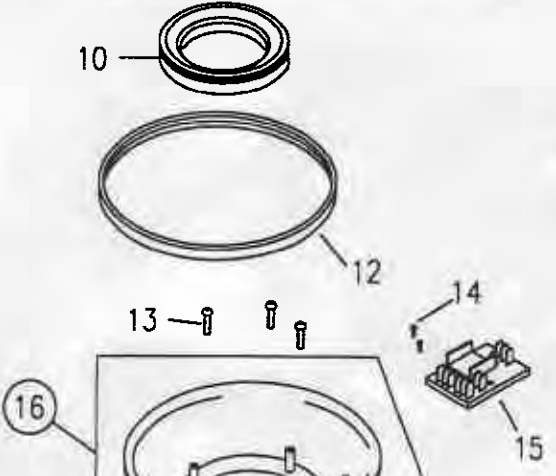
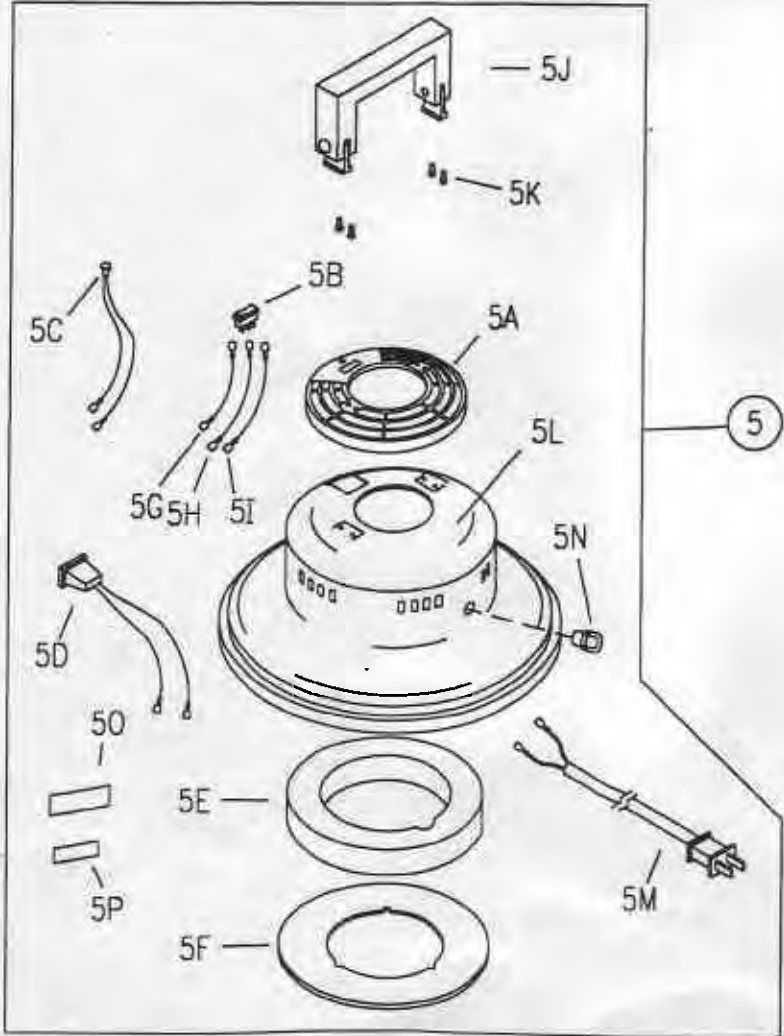
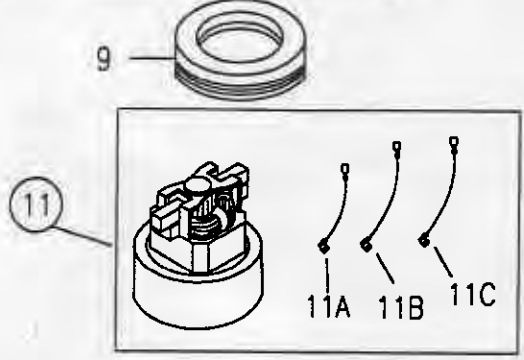
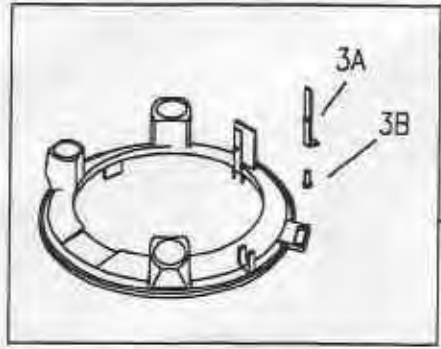
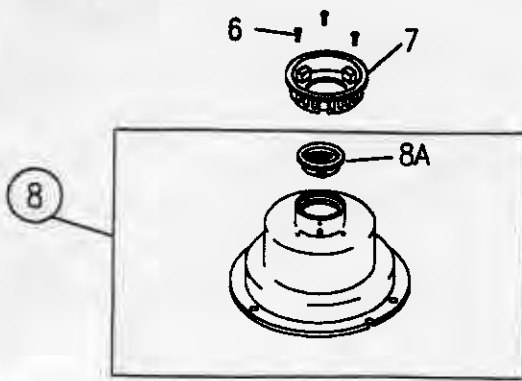
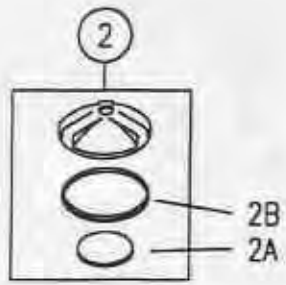


Model #112B  
Dome Assembly



FA-6010

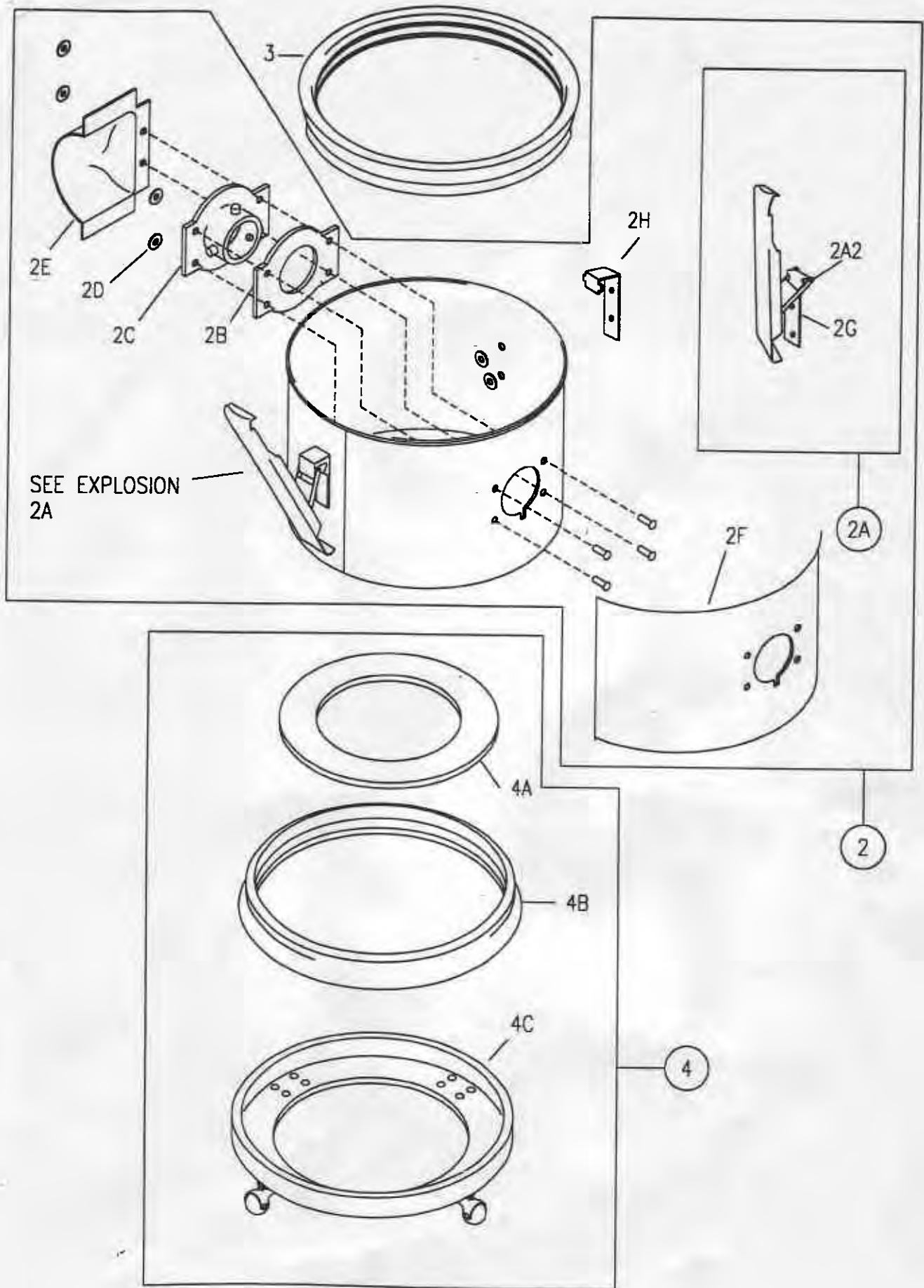
Model # 112B  
 Limited Edition - North America  
 Dome Assembly

Part Description	Quantity	Illus. No.	New Service Part #	Old Part #
Cap, Dome, Black	1	2	2073000101	GR-BL-73
Pad, Felt, Cap 25 Pack	25	2A	8069000100	500790-N25
Gasket, Cap, Dome 10Pk	10	2B	2430000600	
Holder, Attachments, Black	1	3	5061000101	
Spring & Pin Assy 10 pack	10	3A	5231000100	GR-A-7201
Screw Attachment Holder 10 Pk	10	3B	2888008100	72008
Dome Assy Comp 120V Ltd Edition NA	1	5	5653001713	
Grille Text w/Heat Trans Black US	1	5A	2845000401	
Label, Grille, FQ, Eng/Fr 25 Pk	25	not shown	2419600000	
Switch, Rocker 2 Spd., Red	1	5B	2302000103	
Cap, 110V, Dome	1	5C	2835000500	
Outlet, 110V, Snap-in, Black	1	5D	2321000100	33321-M
Filter, Silencing, New 10 Pk	10	5E	2404000400	
Support, Filter, Cardboard 10 Pk	10	5F	2404000200	31791-A
Lead, Terminated, 12" Yellow 10 Pk	10	5G	2029000105	
Lead, Terminated, 12" Blue 10 Pk	10	5H	2029000107	
Lead, Terminated, 12" White 10 Pk	10	5I	2029000110	
Handle, Assy., Unit Black	1	5J	2724000101	GR-9966
Screw # 8 x 3/4" PH Pan 100Pk	100	5K	8888002500	33719-P
Dome, Chrome Plated	1	5L	5653000113	
Cord Power Term 120V Black 2 Pk	2	5M	5381000701	
Strain Relief 100 Pk	100	5N	8306000100	31308
Label, Warning, Dome "PN Outlet" 25 Pk	25	5O	2419400000	
Label, Dome, Filter, Eng Only 25 Pk	25	5P	2419500000	PG-92767
Screw # 8 x 1/2" 100 Pack	100	6	8888000900	31719-P
Connector Dome Cap, Plastic, Blk.	1	7	2858000401	95652-P
Assy. Motor Support, Upper	1	8	5731000101	
Screen, Upper, Plastic, Black	1	8A	2731000201	99797
Gasket, Motor, Top	1	9	2430001301	
Gasket, Motor, Bottom	1	10	2430000401	350060
Motor Assy w/Leads 112B	1	11	5008002600	
Lead, Term, Black Neutral 10 Pk	10	11A	2029000201	
Lead, Term, Red, Light 10 Pk	10	11B	2029000203	
Lead, Term, Blue Line 10 Pk	10	11C	2029000207	
Gasket, Dome, Black 10 Pk	10	12	2430000301	31775
Screw # 10-32 x 3/4" 100 Pack	100	13	8888000700	990012-P
Screw, #4 x 1/2 100 pack	100	14	8888003800	
Circuit Board Trac 2-Speed 10V	1	15	2303000300	
Lower Motor Support Assy.	1	16	5769000201	
Filter, Disc, Secondary Small 25 Pk	25	16A	2404000100	95450
Retainer, Filter, Disc 10 Pk	10	16B	2769000101	95798
Cone, Perforated, Black	1	17	2770000101	99770
Screw, Thumb, Cone/ Perforated 2 pack	2	18	2888000500	350712-T
= exclusive to the 112B				

3400

1888006400  
 8888003800

# Dirt Container Assembly



**Model # 112B**  
**Limited Edition - North America**

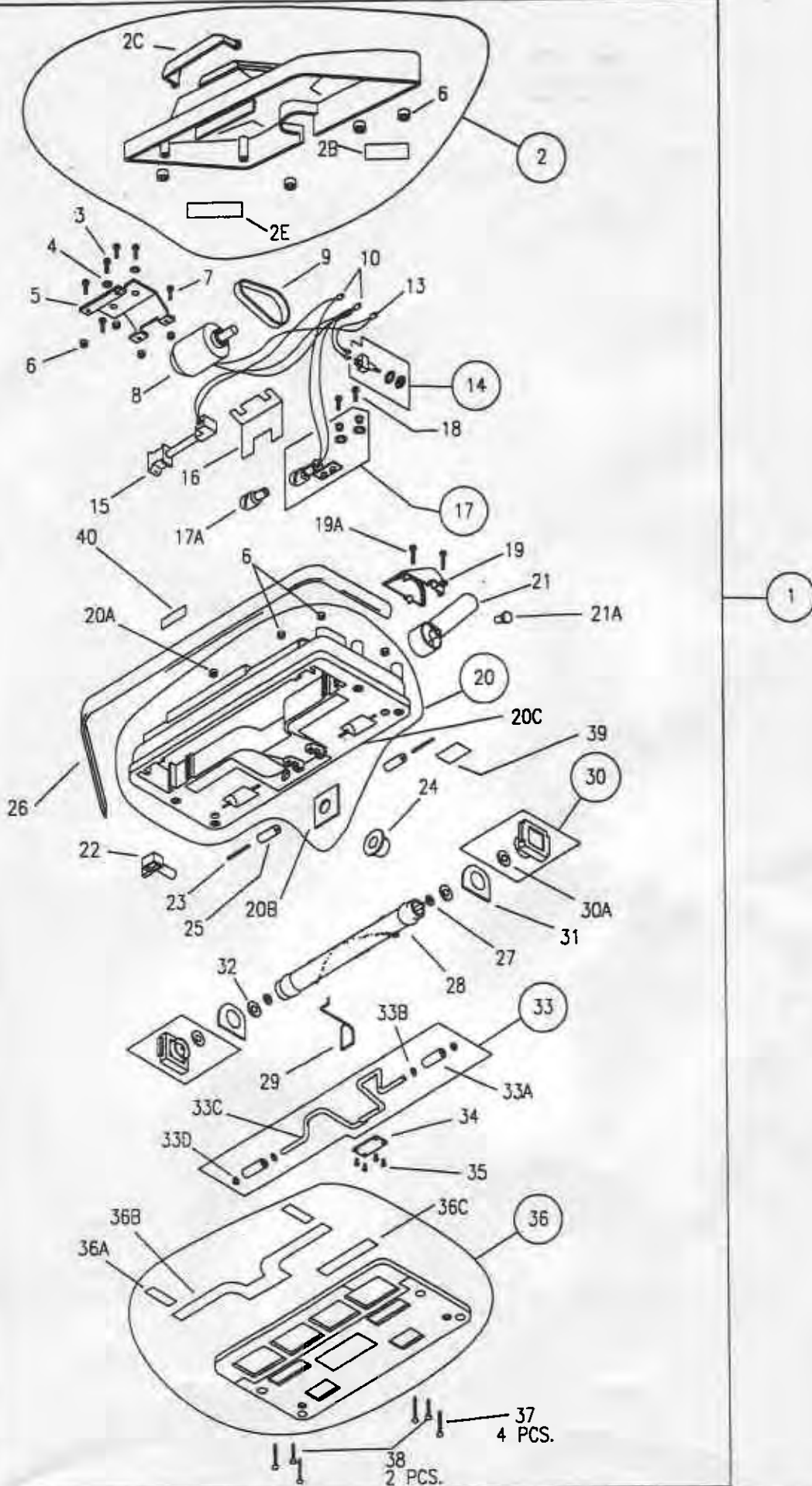
**Dirt Container Assembly**

Part Description	Quantity	Illus. No.	New Service Part #	Old Part #
------------------	----------	------------	--------------------	------------

5418000401

Dirt Cont Assy, w/label, Limited Edition	1	2	2418000301	
Clamp Assy, Dirt Container	1	2A	5781000313	GR-9546-A
Rivet, tubular, 45/64" lg 100 Pk	100	2A2	8888000300	A-224784
Gasket, Inlet, 1/16 thick, Neop. 10 Pk	10	2B	2430000200	OP-92407
Inlet Assy.	1	2C	2406000100	GR-35043
Washer, FQ 100 Pk	100	2D	8888000200	11246
Deflector, Stainless	1	2E	2451000100	200451
Label, Dirt Cont, Limited Edition NA (A112C)	10	2F	2418000100	
Spring, Clamp 100 pack	100	2G	2231000100	500779
Bracket, Clamp, Dirt Container	1	2H	2781000500	500778
Gasket, Dirt Container, Black	1	3	2430000101	99430
Caster Assy, Complete, Black	1	4	5062000101	GR-9962C
Shield, Caster 10 Pk	10	4A	2062000200	95905
Bumper, Unit, Black	1	4B	2783000101	99783A
Caster & Plate Assembly, black	1	4C	2062000101	GR-9563
				= exclusive to the 112B

Model #MA901  
Power Nozzle



Model # MA961

Power Nozzle

Limited Edition - North America

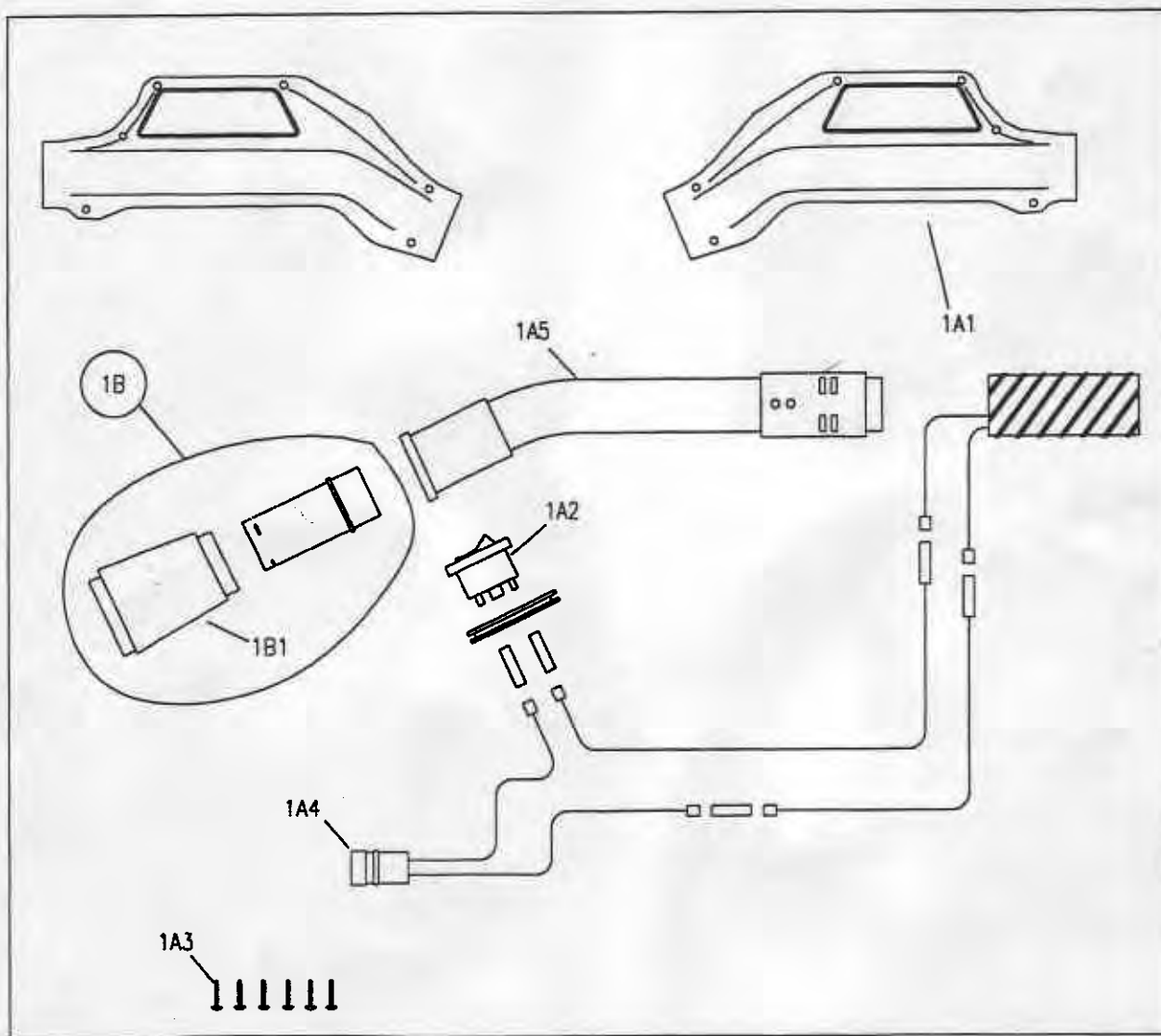
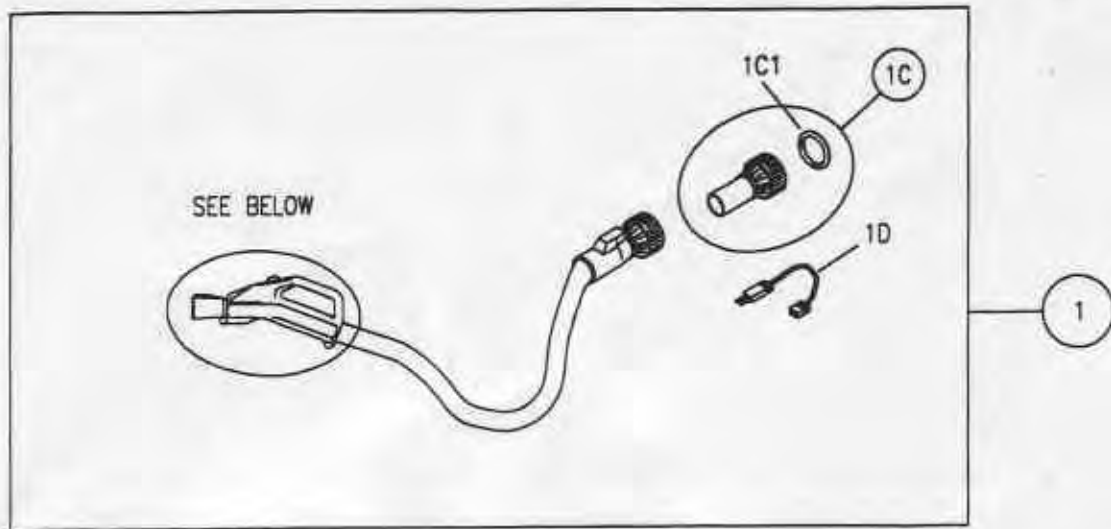
Part Description	Quantity	Illus. No.	New Serv. Part #	Old Part #
Power Nozzle Complete,FQ,96	1	1	5020000101	
Cover Assy w/Heat Trans Blk 88	1	2	5229000901	5229000101
Lens, Model 88	1	2C	2229000100	RB-88230
Label, Nozzle 10 Pk	10	not shown	2419200000	
Label, Reflector, Model 88 10 Pk	10	2E	2419000400	88236
Label, Warning,Power Nozzle 25 Pk	25	2B	2419100000	HE-96765
Screw, 10-32 x 1/4" PH 100Pk	100	3	8888002700	48218-P
Washer, # 10, Locking 100 Pk	100	4	8888001100	42348
Bracket, Motor, Nozzle	1	5	2888002600	48217-A
Fastener, On-sert 100 Pk	100	6	2888001200	48207
Screw # 8x1/2" PH 100Pk	100	7	8888000900	31719-P
Motor, Nozzle, 110V, Model 88	1	8	2008000500	GR-9608
Belt, Nozzle 10 Pk	10	9	2260000100	48260
Connector, Wire 50 Pk	50	10	2888003100	A-48760
Wire Nut # 30 50 Pk	50	13	2888006000	B-48760
Circuit Breaker Assy.	1	14	5304000100	GR-8831
Cord, Nozzle, 120V, W/Strain Rel. 2 Pk	2	15	2301000201	M-96323
Insulator, Nozzle, Model 88 10 Pk	10	16	2999000100	88308
Lamp Socket Assy	1	17	2835000200	GR-8835
Lamp, Nozzle 10 Pk	10	17A	2835000300	88235
Screw, # 6 x 1/2" PH Pan 100Pk	100	18	8888002400	31215-P
Retainer, Adaptor, Black, Model 88	1	19	2211000101	RB-88211
Screw # 8 x 3/4" PH Pan 100Pk	100	19A	8888002500	33719-P
Base W/ Onserts, labels	1	20	5229000201	GR-96209
Fastener, On-sert, Inverted 100 Pk	100	20A	8888002000	88213
Label, Height Adjustment 10 Pk	10	20B	2419000300	
Adaptor, Assy, Nozzle, Locking BL	1	21	5210000101	GR-M-9687
Pin, Retainer 100 Pk	100	21A	8888002300	156232
Cam, Height Adjustment 10 Pk	10	22	2225000100	52225
Shaft, Roller, Model 88 10 Pk	10	23	2888002100	88249
Knob, Nozzle, FQ, Black 2 pack	2	24	2888002200	96221
Wheel, Nozzle, Model 88 10 Pk	10	25	2248000101	88248
Bumper, Nozzle, Model 88, Black	1	26	2783000201	RB-88201
Washer, Steel, Nozzle 100 pack	100	27	8888004000	48246
Brush, Revolving, Natural, Mod. 88 2 Pk	2	28	2291000100	GR-8821
Spring Roller Arm, Model 88 10 Pk	10	29	2231000300	88284
Bearing, Brush, Roller, Model 52/88 2 Pk	2	30	2023000100	GR-5223
Seal, Bearing, Nozzle 25 Pk	25	30A	2842000500	48267
Seal, Dirt, Nozzle, Model 88 25 Pk	25	31	2842000100	88228
Washer, Fiber, Nozzle 100 pack	100	32	8888003900	48216
Arm Assy, Roller, Model 88	1	33	5281000100	GR-8822
Roller, Long 10 pack	10	33A	2248000301	52283-R
Washer, Nylon 100 pack	100	33B	8888004400	48243
Arm Roller Model 88	1	33C	2281000100	88281
Pushnut 100Pk	100	33D	8888004100	48276
Plate, Retainer Arm, Roller	1	34	2888001500	48282
Screw, # 6 x 3/8" PH Pan 100Pk	100	35	8888002800	56237-P
Plate Assy, Bottom Stain Mod 88	1	36	5270000100	GR-A-8824
Gasket, Bottom Plate, Sealing 20 Pk	20	36A	2430000501	88279-A
Gasket, Bottom Plate, Sealing 10 Pk	10	36B	2430000601	88280-A
Label, Instruction, Bottom Plate 10 Pk	10	36C	2419000100	88443
Screw # 8 x 2 1/4" PH 100Pk	100	37	8888002900	88208-P
Screw, # 10 x 1" PH Flat 100Pk	100	38	8888003200	A-88215-P
Label, Circuit Breaker 10 Pk	10	39	2419000900	96303
Label, Lamp, Nozzle 10 Pk	10	40	2419000500	88238

→ 5248000501  
shaft

→ 5248000301  
- long

\*Thermoplastic Rubber

# Model #MA961 Hose Assembly



**Model # MA961**  
**Limited Edition - North America**

**Hose Assembly**

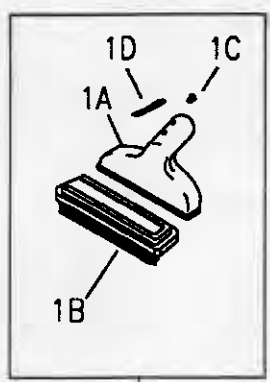
Part Description	Quantity	Illus. No.	New Service Part #	Old Part #
Hose Assy, 110V, Black	1	1	5802000601	GR-M-9684
Handle, Plastic, Black 2 pcs	1	1A1	2724000201	HM-9060
Switch, Handle, Hose, 120V	1	1A2	2724000301	HM-9001
Screws, Handle 100 pack	100	1A3	8888003700	HM-9000
Outlet, Handle, Hose, 120 V	1	1A4	2724000501	HM-9010
Tube, Handle, Hose, Plastic, Blk	1	1A5	2313000101	9061-HMI
Stub Tube w/Seal Assy	1	1B	5482000201	BK-9081S
Seal, Tube, Short, Black	1	1B1	2842000201	96842-B
Hose, Swivel Connector Assy, Black	1	1C	5802001501	GR-9680-B
Gasket, Hose Connector, Blk W/Yel 10 Pk	10	1C1	5430001001	J-3407-S
Cord, Pigtail, Male, 120V, Black 2 Pk	2	1D	2301000501	96821

→ 5842000201

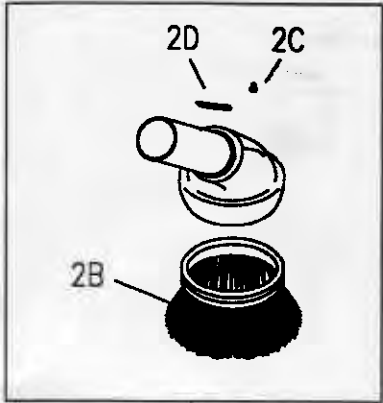
2313000101



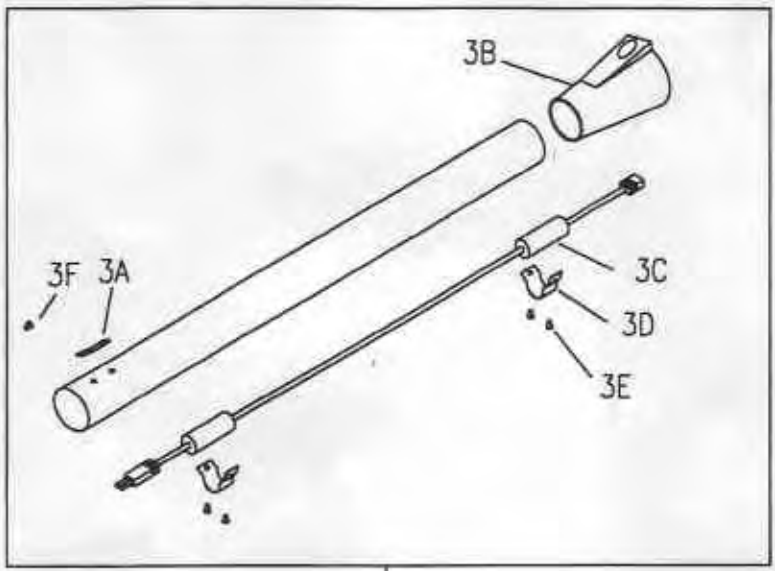
Model #WA901  
Attachments



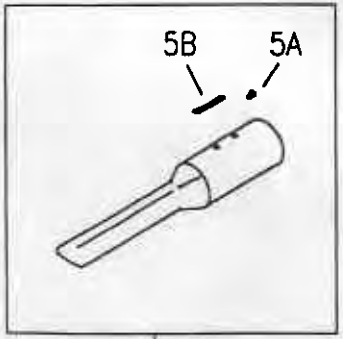
1



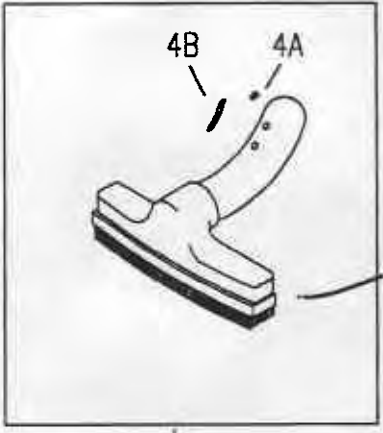
2



3



5



4

11/21

**Model # MA961**  
**Limited Edition - North America**

**Attachments**

<b>Part Description</b>	<b>Quantity</b>	<b>Illus. No.</b>	<b>New Service Part #</b>	<b>Old Part #</b>
Upholstery Nozzle & Brush Complete	1	1	5079000601	
Upholstery Nozzle Black		1A	2079000601	
Upholstery Brush Only, Black	1	1B	2079000501	96291
Pin, Retainer 100 Pk	100	1C	8888002300	156232
Spring, Retainer 100 pack	100	1D	2231000200	350231
Dusting Brush Comp w/logo Blk	1	2	5079000701	
Dusting Brush Insert 2 pack	2	2B	2079000200	33806
Pin, Retainer 100 Pk	100	2C	8888002300	156232
Spring, Retainer 100 pack	100	2D	2231000200	350231
Wand, Assy, Stainless, 120V, BI	1	3	FQ-9630-3	
Spring, Retainer 100 pack	100	3A	2231000200	350231
Seal, Tube, Short, Black	1	3B	2842000201	96842-B
Cord, Wand, 120V 2 Pk	2	3C	2301001701	GR-M-9636
Clip Cord, Nickel Plated 10 Pk	10	3D	2888007400	48305
Rivet, Pop 100 Pk	100	3E	8888001600	48329
Pin Retainer Metal 100 Pk	100	3F	8888003600	97232
Bare Floor Brush, Black	1	4	5079000501	
Pin, Retainer, Metal 100 Pk	100	4A	8888002300	156232
Spring, Retainer 100 pack	100	4B	2231000200	350231
Crevice Tool Black	1	5	5079000101	
Pin, Retainer, Metal 100 Pk	100	5A	8888002300	156232
Spring, Retainer 100 pack	100	5B	2231000200	350231

*4A 10" Brush insert*

*4C 2291001200*