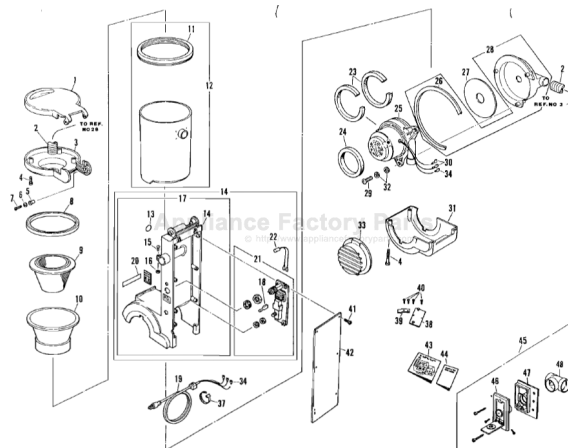


This Owner's Manual is provided and hosted by [Appliance Factory Parts](http://ApplianceFactoryParts.com).



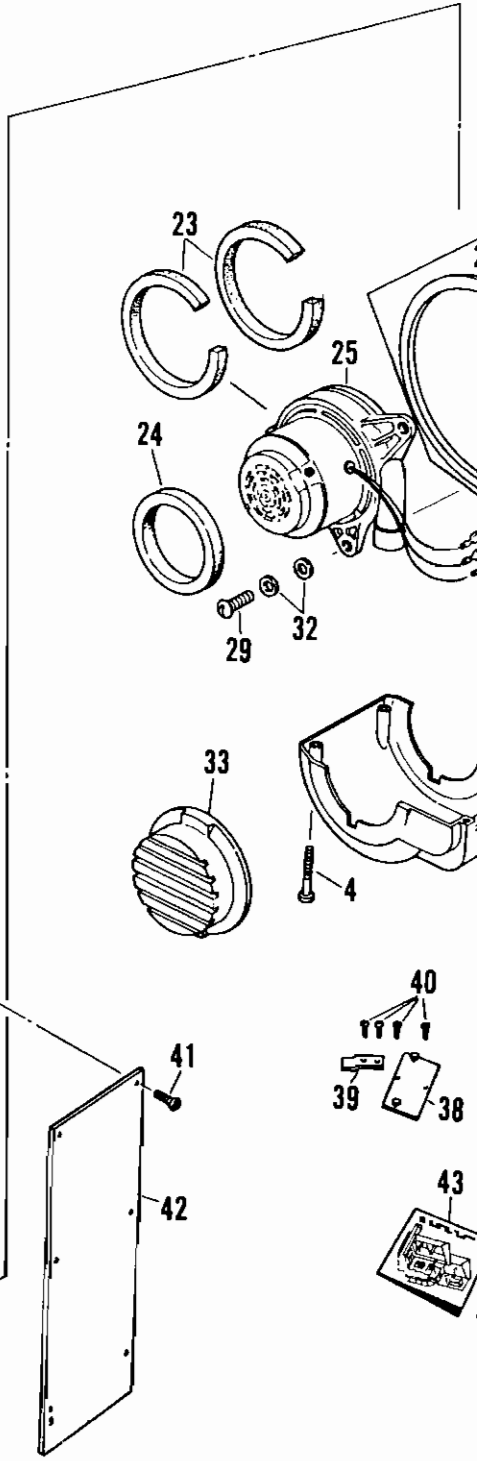
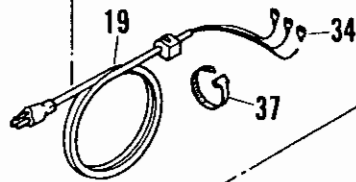
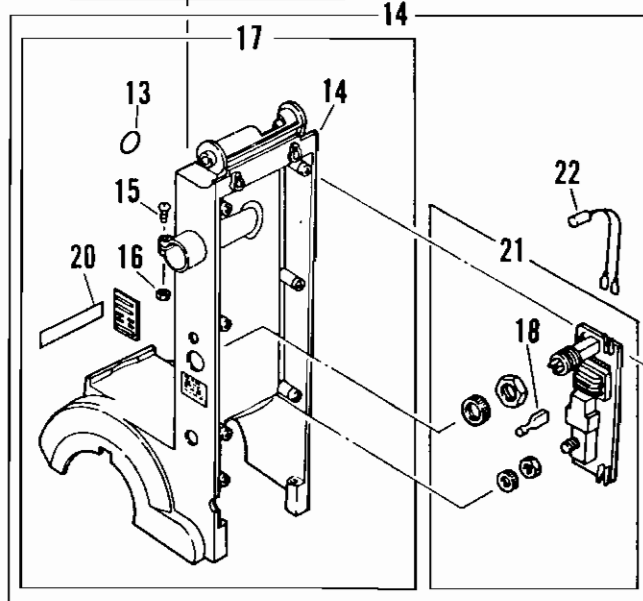
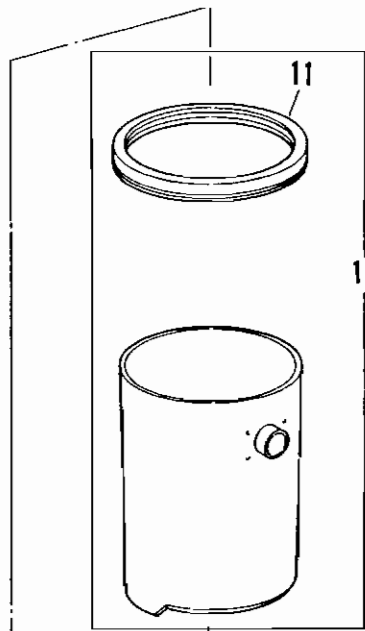
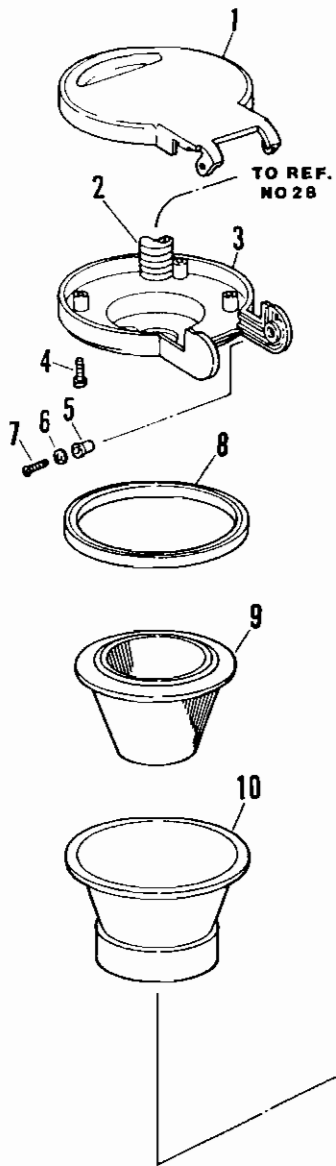
# Filter Queen V-3000 Owner's Manual

[Shop genuine replacement parts for Filter Queen V-3000](#)



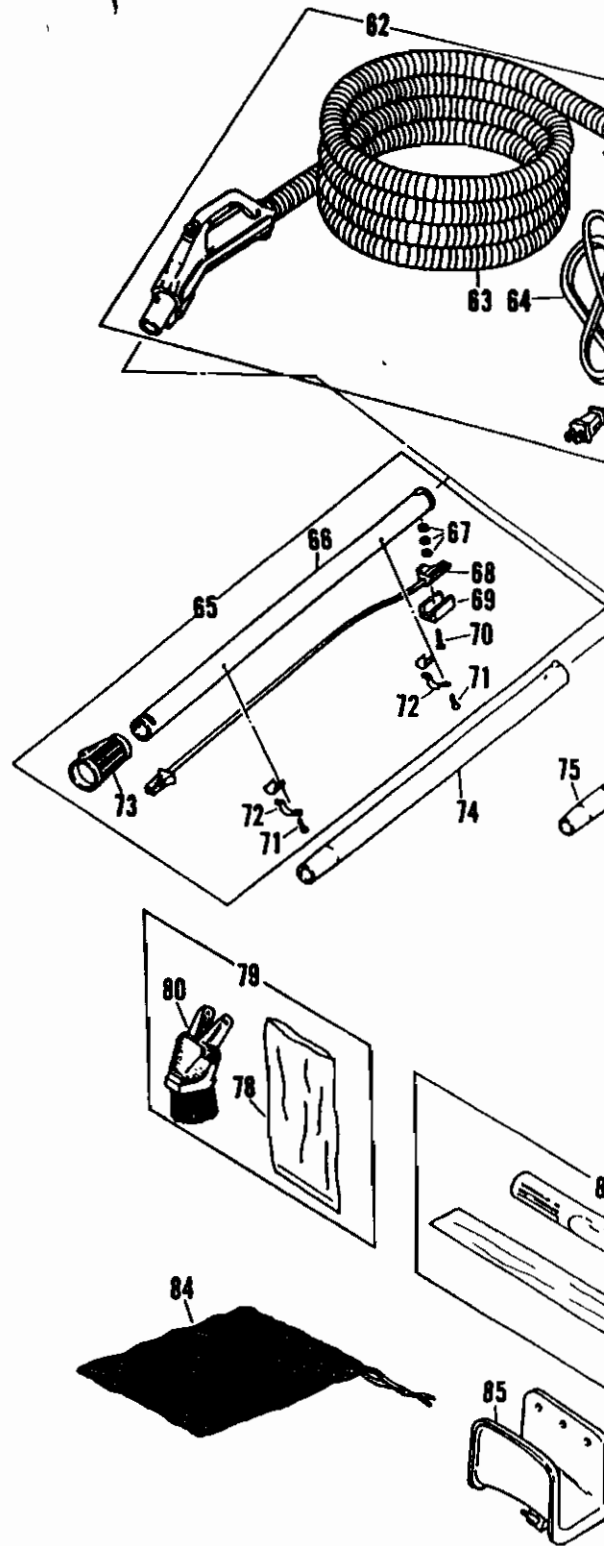
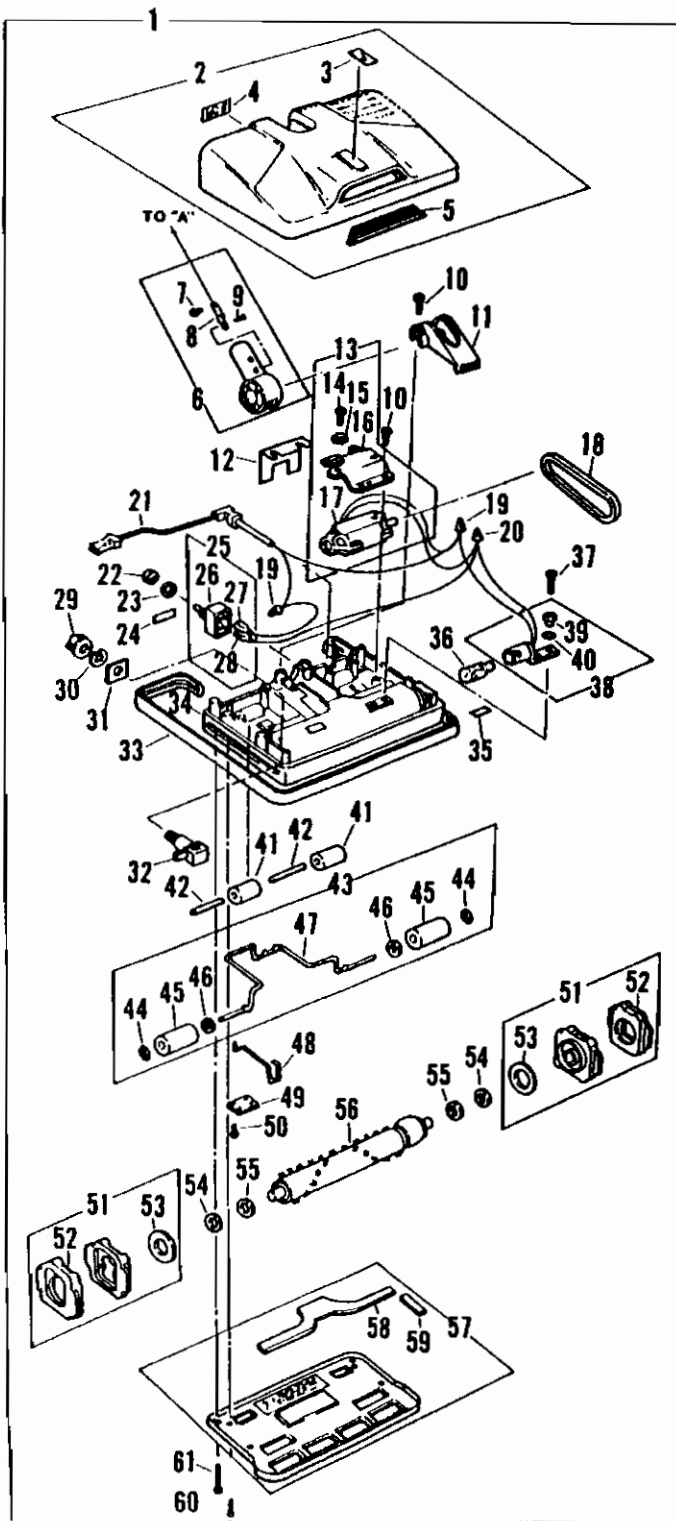
[Find Your Filter Queen Vacuum Cleaner Parts - Select From 22 Models](#)

----- Manual continues below -----



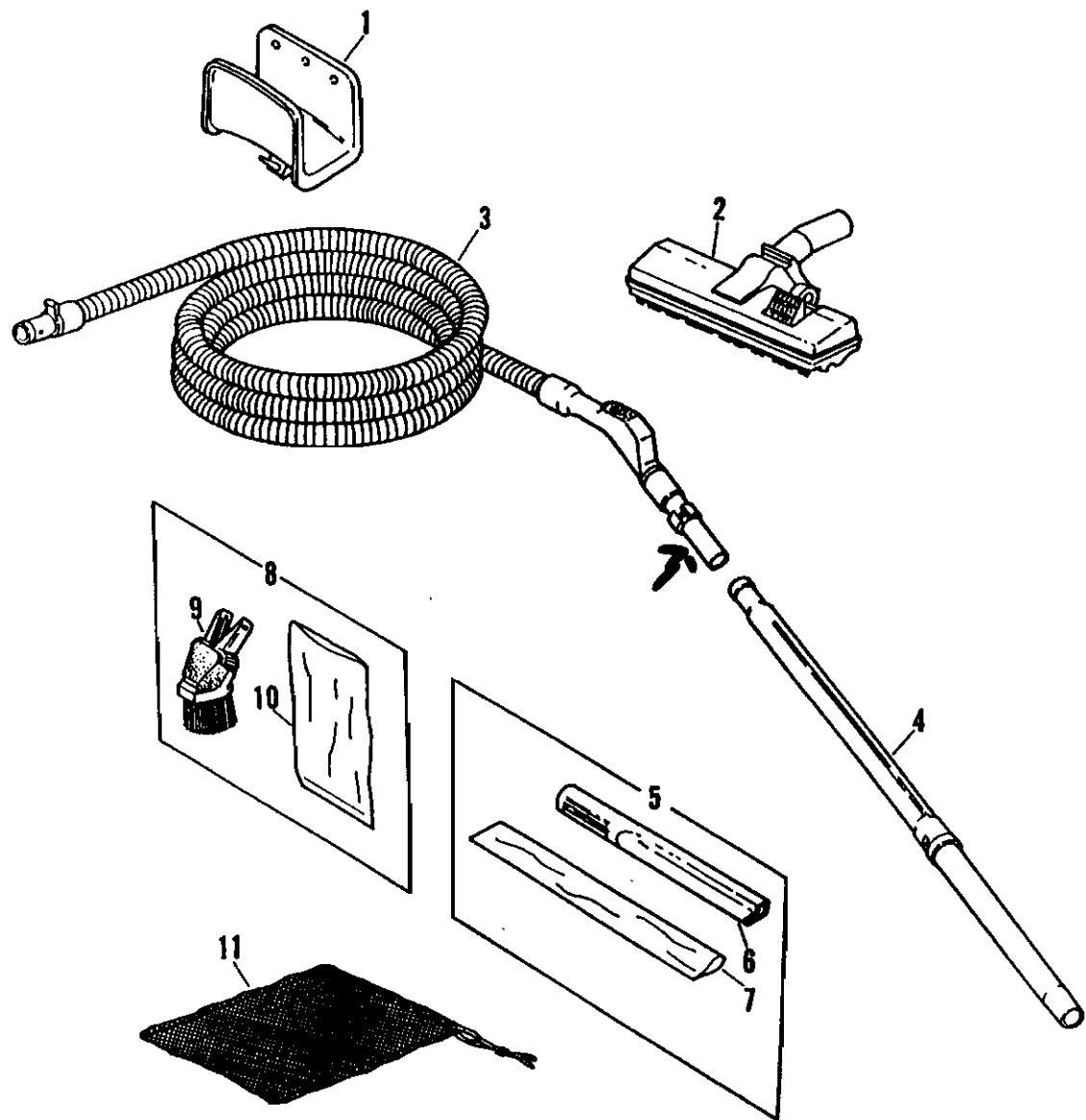
## Model V-3000

| Key # | Part #     | Description                    | Key # | Part #        |
|-------|------------|--------------------------------|-------|---------------|
| 1     | 103845-G   | Top Lid                        | 23    | VQ-02         |
| 2     | VQ-07-B    | 38" Flexible Hose              | 24    | VQ-09-C       |
| 3     | 103826-G   | Bottom Lid                     | 25    | GR-11008      |
| 4     | VQ-24      | Screw                          | 26    | VQ-05         |
| 5     | 107278     | Spacer                         | 27    | GX-110279     |
| 6     | 42348      | Washer                         | 28    | GR-OP-11016-A |
| 7     | 110063-P   | Screw                          | 29    | 33713-P       |
| 8     | 100279     | U-Channel Gasket               | 30    | VQ-03-A       |
| 9     | GR-10404   | FX-Filter Assembly             | 31    | 103209-G      |
| 10    | GX-110770  | Dirt Separator                 | 32    | VQ-06         |
| 11    | VQ-41      | Dirt Container Gasket          | 33    | 103645-G      |
| 12    | GR-V11040C | Dirt Container Assembly        | 34    | VQ-32         |
| 13    | VQ-19      | "O" Ring                       | 37    | VQ-08         |
| 14    | GR-11025-G | Complete Upper Body Assembly   | 38    | GR-10614      |
| 15    | VQ-17      | Hex Bolt                       | 39    | 100310        |
| 16    | VQ-18      | Hex Nut                        | 40    | VQ-52-A       |
| 17    | GR-1025G   | Upper Body Assembly (Gray)     | 41    | 31719-P       |
| 18    | VQ-03      | 1/4" Quick Connector           | 42    | 103136-A      |
| 19    | VQ-16-C    | Power Cord                     | 43    | V-110139      |
| 20    | V-110706D  | Housing Label V-3000           | 44    | VQ-110956     |
| 21    | 110302     | Control Power Module 120 Volts | 45    | GR-11049-A    |
| 22    | 100835     | 24 Volt Indicator Light        | 46    | VQ-92-W       |
|       |            |                                | 47    | VQ-91         |
|       |            |                                | 48    | VQ-115        |



**Model V-716-A**

| Key # | Part #    | Description                          | Key # | Part #    | Description               | Key # | Part #  |
|-------|-----------|--------------------------------------|-------|-----------|---------------------------|-------|---------|
| 1     | GR-V-9620 | Complete "V-96" Power<br>Nozzle Assy | 29    | 96221     | Control Knob              | 58    | 88280-A |
| 2     | GR-V-9625 | Complete Nozzle Cover Assy           | 30    | 52222     | Retainer Ring             | 59    | 88279-A |
| 3     | VQ-96706  | Name Plate                           | 31    | 96244     | Cam Indicating Plate      | 60    | A-88215 |
| 4     | HE-96765  | Warning Label                        | 32    | 52225     | Cam                       | 61    | 88208-P |
| 5     | RB-88230  | Lens                                 | 33    | BM-88201  | Bumper                    | 62    | GR-V110 |
| 6     | GR-9687-A | Swivel Adaptor Assy                  | 34    | GR-96209  | Nozzle Base w/Onsets      | 63    | 110802  |
| 7     | 156232    | Retainer Pin                         | 35    | 88238     | Lamp Warning Label        | 64    | 103301  |
| 8     | 350231    | Retainer Spring                      | 36    | 88235     | Lamp                      | 65    | GR-VII0 |
| 9     | 133054    | Rivet                                | 37    | 31215-P   | Lamp Socket Screw         | 66    | VQ-1103 |
| 10    | 31719-P   | Phillips Pan Hd.                     | 38    | GR-8835   | Lamp Socket Assy          | 67    | J-48276 |
| 11    | 96211     | Adaptor Retainer                     | 39    | 88345     | Eyelet                    | 68    | GR-9636 |
| 12    | 88308     | Insulator                            | 40    | 88324     | Grommet                   | 69    | VQ-4830 |
| 13    | GR-8809   | Motor Assembly                       | 41    | 88248     | Roller                    | 70    | J-48717 |
| 14    | 48218-P   | Mach Screw                           | 42    | 88249     | Roller Shaft              | 71    | 48329   |
| 15    | 42348     | #10 Internal Lock Washer             | 43    | GR-8822   | Roller Arm Assy           | 72    | 48305   |
| 16    | 48217-A   | Motor Bracket                        | 44    | 48276     | Retainer Ring             | 73    | 109842  |
| 17    | GR-9608   | Power Nozzle Motor                   | 45    | 52283-R   | Roller                    | 74    | PT-1103 |
| 18    | 48260     | Belt                                 | 46    | 48243     | Washer                    | 75    | VQ-1108 |
| 19    | A-48760   | Solderless Connector (small)         | 47    | 88281     | Roller Arm                | 76    | GR-1108 |
| 20    | 48760     | Solderless Connector (large)         | 48    | 88284     | Roller Arm Tension Spring | 77    | 110081  |
| 21    | 96323     | Power Nozzle Cord                    | 49    | 48282     | Roller Arm Retainer Plate | 78    | 350913  |
| 22    | 44081     | Circuit Breaker Nut                  | 50    | 56237-P   | Retainer Plate Screw      | 79    | GR-1108 |
| 23    | 88025     | Circuit Breaker Washer               | 51    | GR-5223   | Brush Bearing Assy        | 80    | 110082  |
| 24    | 96303     | Circuit Breaker Label                | 52    | 52274     | Brush Mount               | 81    | GR-1107 |
| 25    | GR-8831   | Circuit Breaker and Leads Assy       | 53    | 88228     | Belt Dirt Seal            | 82    | 110801  |
| 26    | 88302     | Circuit Breaker                      | 54    | 48216     | Fiber Washer              | 83    | 31911   |
| 27    | R-88029   | Red Lead Wire                        | 55    | 48246     | Steel Washer              | 84    | 110051  |
| 28    | 88029     | Black Wire                           | 56    | GR-8821   | Revolving Brush           | 85    | 110033  |
|       |           |                                      | 57    | GR-A-8824 | Bottom Plate Assy         |       |         |



## Model V-717

| Key # | Part #    | Description            |
|-------|-----------|------------------------|
| 1     | 110033    | Hose Holder - Black    |
| 2     | PT-110081 | Carpet-Floor Brush     |
| 3     | LV-110802 | LV Hose - Black/Silver |
| 4     | T-110803  | Telescopic Wand        |
| 5     | GR-11079  | Crevice Tool Assembly  |
| 6     | 110801    | Crevice Tool - Black   |
| 7     | 31911     | Sack for Crevice Tool  |
| 8     | GR-11082  | Dust Brush Assembly    |
| 9     | 110802    | Dust Brush - Black     |
| 10    | 350913    | Sack for Dust Brush    |
| 11    | 110051    | Tool Holder Caddy      |