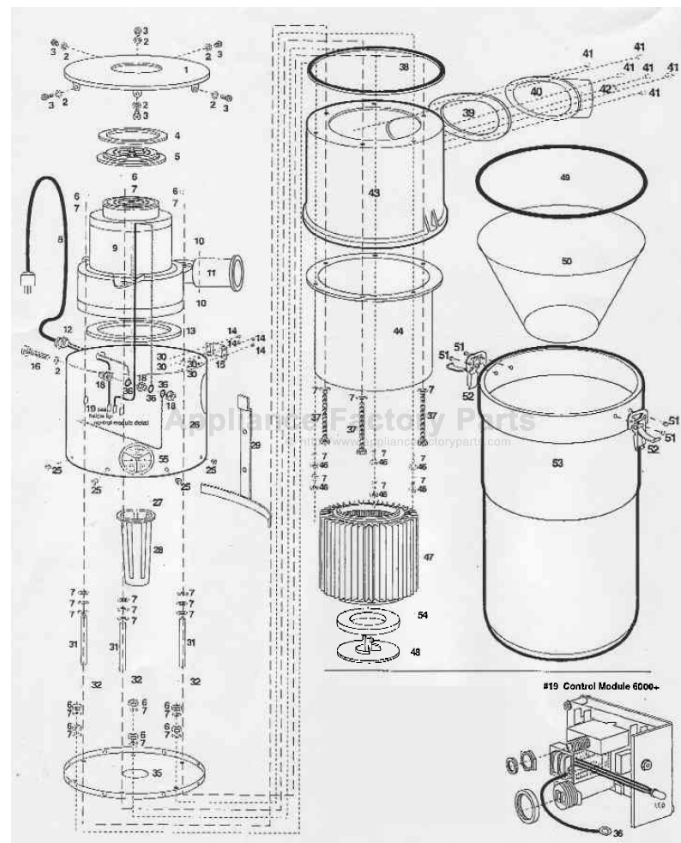


This Owner's Manual is provided and hosted by [Appliance Factory Parts](#).



Hayden 6000 Owner's Manual

[Shop genuine replacement parts for Hayden 6000](#)



[Find Your Hayden Vacuum Cleaner Parts - Select From 9 Models](#)

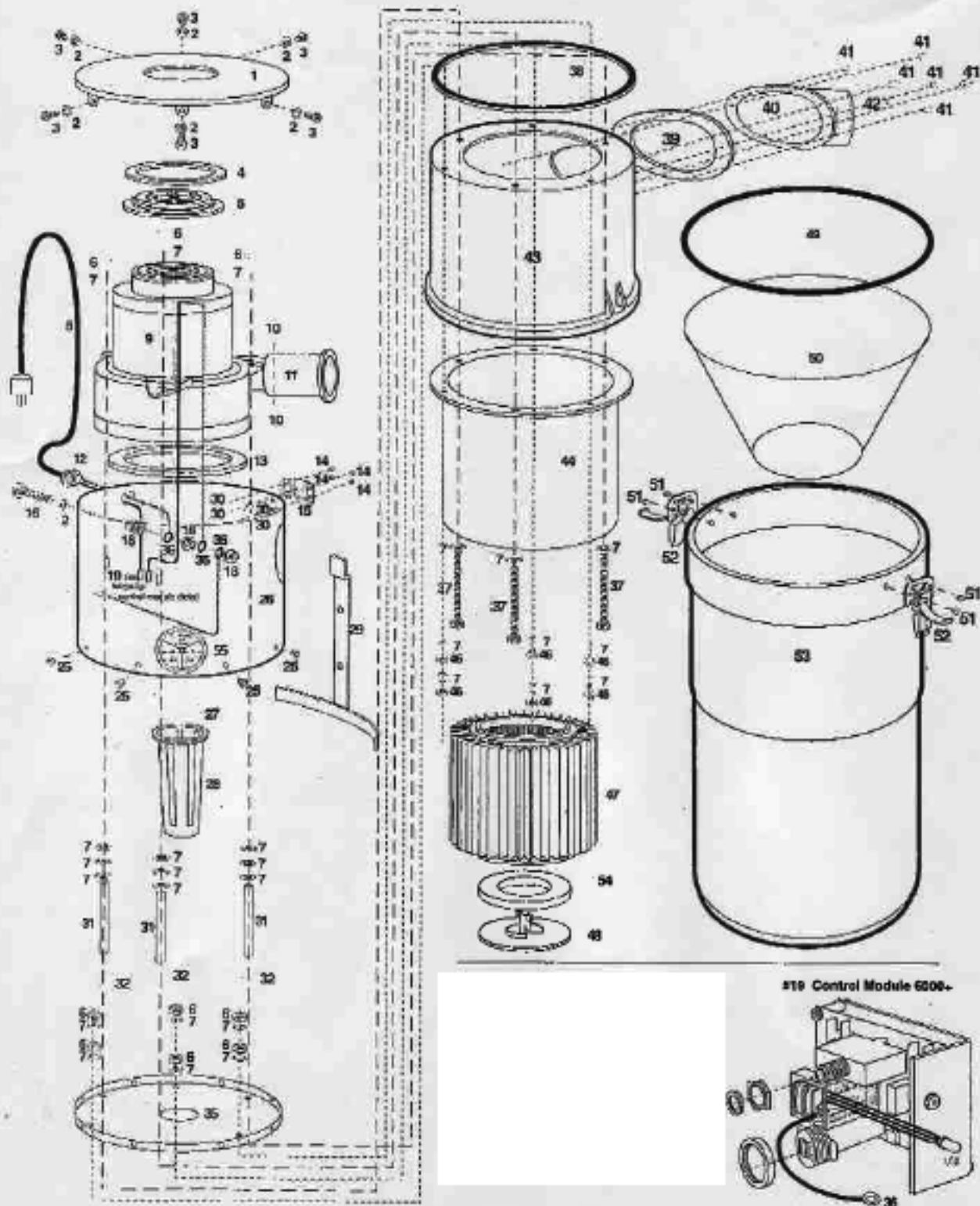
----- Manual continues below part list -----

Available Replacement Parts for Hayden 6000

[L-33423-1](#)

Replacement Brushes for Motor.

SuperVac 6000+



Description of Parts for Hayden SuperVac 6000		Quantity	Part #
1	Lid	1	8734-00
2	# 10 External Tooth Lockwasher	8	8775-00
3	# 8 x 1/2" Screw	6	8776-00
4	Motor Air Intake Gasket	1	8770-00
5	Motor Air Intake Vent	1	8717-00
6	Nylon Insert Lock Nut 1/4 - 20 zinc plated	3	8752-00
7	Flat Washer 1/4" SAE zinc plated	9	8753-00
8	6' Conj with slide terminals at each end	1	8724-00
9	Motor (Plus 2 x 8750 Rivet)	1	8789-00
10	Rivet, closed end, for exhaust extension tube	2	8759-00
11	Exhaust Extension Tube	1	8747-00
12	Cord Strain Relief Grommet	1	8714-00
13	Motor Gasket	1	8710-00
14	Rivet	4	8756-00
15	Mounting Bracket	1	8721-00
16	Ground Screw	1	8754-00
17	# 10 External Tooth Lockwasher	1	8775-00
18	Internal Grounding Assembly - KEPS Lock Nut - #10 - 32 zinc plated	3	8774-00
19	Control Module	1	8766-00-00060
	Daughter Board on Control Module (Not shown on schematic)	1	8766-00-00060DB
20	LVT Terminal Bushing with 2 slide terminals	1	8713-00
21	Machine Screw #6-32x3/8" Phillips Pan Head zinc plated	1	8779-00
22	Lock Washer #8 internal tooth - zinc plated	1	8782-00
23	Nylon Stand-Off #6 - 32 X1 1/2" hex.	1	8780-00
24	Nylon Hex Nut #6x3/2	1	8781-00
25	Rivet steel, SB4-6	8	8758-00
26	Electrical Enclosure	1	8740-00
27	Filter Post Retainer	1	8716-00
28	Filter Post	1	8712-00
29	Wall Mounting Bracket	1	8767-00
30	Washers 1/4" SAE	3	8753-00
31	Steel Spacers 1/4 x 3" 6000	3	8783-00
32	Lock Nut with Nylon Insert 1/4 - 20	1	8752-00
35	Motor Base Plate	1	8789-00
36	Washers 1/4" SAE	3	8753-00
37	Tap Screws	3	8728-00
38	Filtration Housing Gasket (Strip Gasket)	1	8749-00 8720-00
39	Intake Port Gasket	1	8715-00
40	Intake Port	1	8742-00
41	Rivets for Intake Port, Aluminum closed end AD48H	6	8760-00
42	Washer	1	8777-00
43	Filtration Housing (Intermediate Housing)	1	8731-00
44	Filter Enclosure	1	8733-00
46	Tap Screws 1/4-20 x 1"	6	8760-00
47	Cartridge Filter	1	8744-00-00PRE
48	Filter Retainer	1	8748-00
49	Cone Gasket	1	8735-00
50	Separator Cone	1	8746-00
51	Closed End Rivet for Dust Canister Clamp	4	8761-00
52	Dust Canister Clamp	2	8765-00
53	Dust Canister (includes clamps and rivets above)	1	8732-00
54	Filter Retainer Gasket	1	8743-00
55	VacTrack LED Decal	1	8701-00

Repl. Brushes
for motor

*8738-00