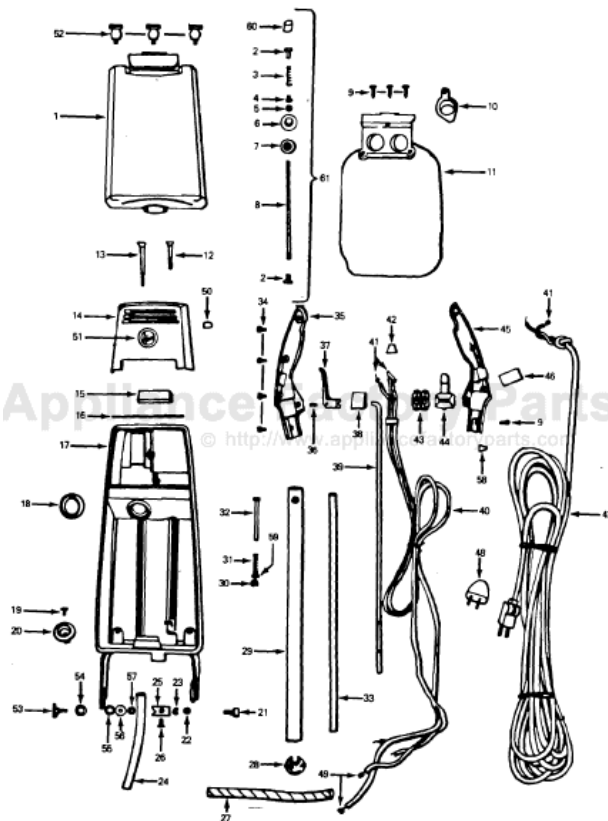


This Owner's Manual is provided and hosted by [Appliance Factory Parts](http://ApplianceFactoryParts.com).



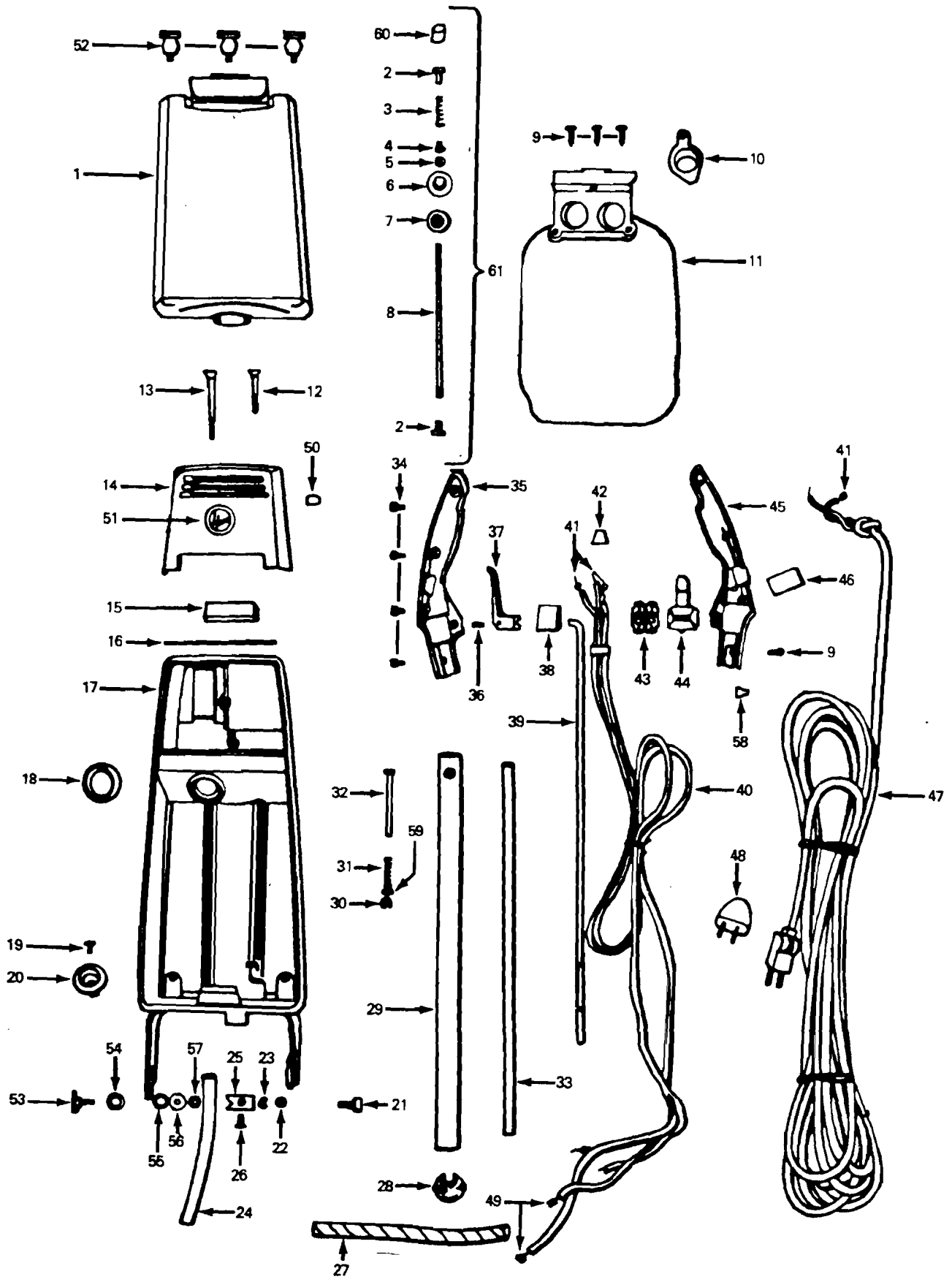
HOOVER 3610 Owner's Manual

[Shop genuine replacement parts for HOOVER 3610](#)

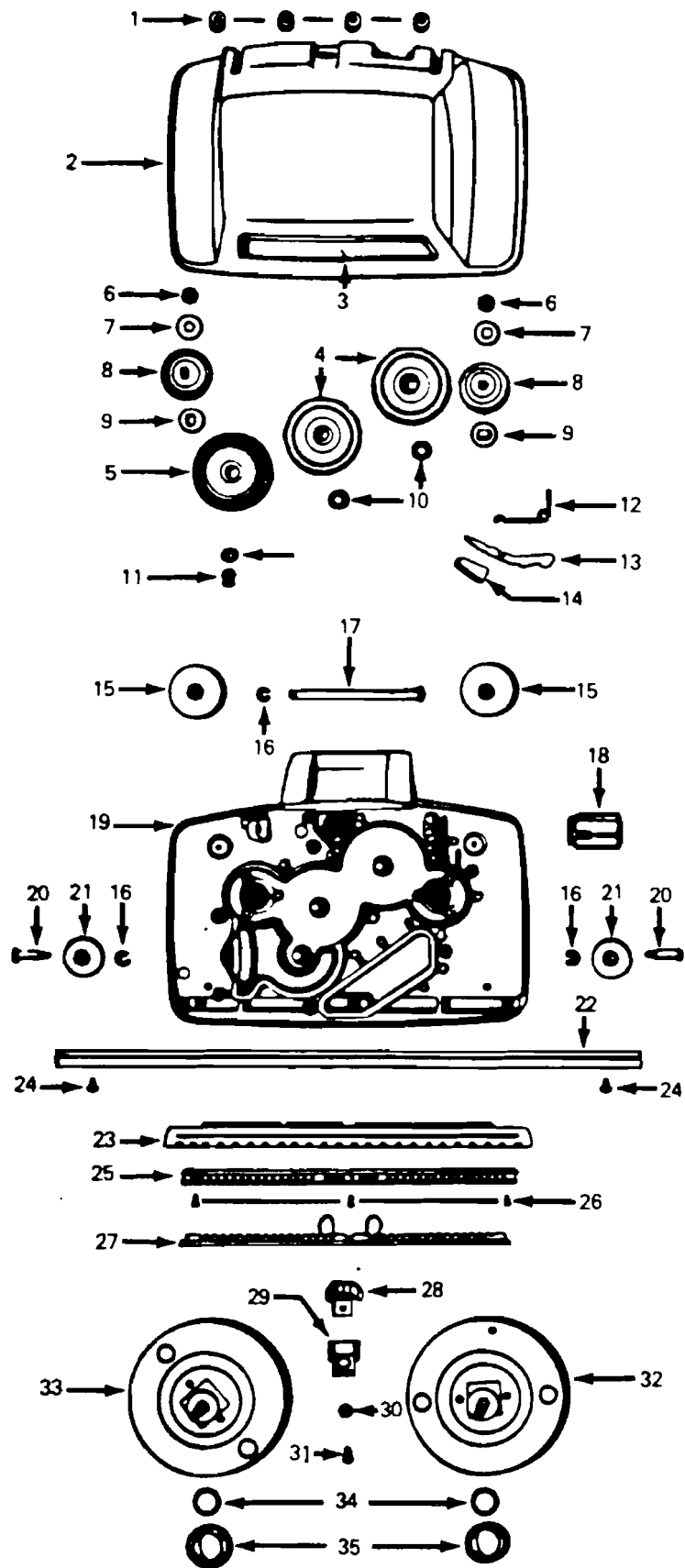


[Find Your HOOVER Vacuum Cleaner Parts - Select From 1455 Models](#)

----- Manual continues below -----



1	43646010		Tank Assem. Comp.
2	15409		Tank Valve Nut
3	15611		Spring
4	21294056	+*	Eyelet
5	15590	+*	Washer
6	21312712		Washer
7	15407		Tank Valve Gasket
8	15408		Tank Valve Stem
9	18805	*	Screw
10	15380JM		Tank Cap
11	18609JM	+	Tank Handle & Bag
	18609JX	+	Tank Handle & Bag
12	15538		Screw (Handle)
13	15539AW	+	Screw
14	42272101		Separator Cover
	15618KK	+	Separator Cover - 3616
	42272100	+	Separator Cover
15	16217		Defoamer Cake
16	16126	+	Gasket
17	42272073	+	Tank Housing Comp.
18	40404011	+	Tank Gasket
19	15562	+	Rivet
20	15565JM	+	Dispenser Cup
21	15845	+	Bail Pivot Stud - L.H
22	21312713	+*	Washer
23	13306	*	Ring
24	16379JM		Cord Cover Tubing
25	15566	+*	Cord Retainer
26	16297	+*	Screw
27	18714	+	Protector Tube
28	37911085	+	Handle End Plug
29	19880JM	+	Handle Tube
30	13759	*	Lock Ring
31	15535FW	+*	Spring
32	16486	+	Push Rod
33	15541	+	Insulating Tube
34	19715	+*	Screw
35	48663123		Handle Grip - RH & LH
36	15536	+*	Control Lever Pin
37	43131050		Control Lever
38	15830	+*	Insulator
39	15532		Valve Control Rod
40	18031	+	Control Cord Assem.
41	27666702	*	Terminal
42	48969	*	Wire Nut
43	15838		Switch
44	38421009	+	Switch Knob
45	48663123		Handle Grip - LH-RH
46	15601	+*	Terminal Insulator
47	46363281		Attachment Cord
48	35380		Service Plug Assem.
49	163055	*	Terminal
50	16125AY	+	Capsert
51	51661004		Medallion
52	14579	+*	Gasket
53	18526	+	Bail Pivot Stud - RH
54	18525	+*	Washer - Friction
55	21347003	*	Washer
56	15869	+*	Washer
57	21652005	*	Nut - Hex
58	19462		Nut
59	21312722	*	Washer
60	161432	+	Nut Insulator
61	164689		Tank Valve Comp. - Incl. 2 thru 8 & Item 60
			Units produced before August 25, 1967 Serial 23305 have the
			following Handle Parts
	48663123		Handle Grip - RH & LH
	15477HH	+	Handle Tube
	13756	+*	Screw



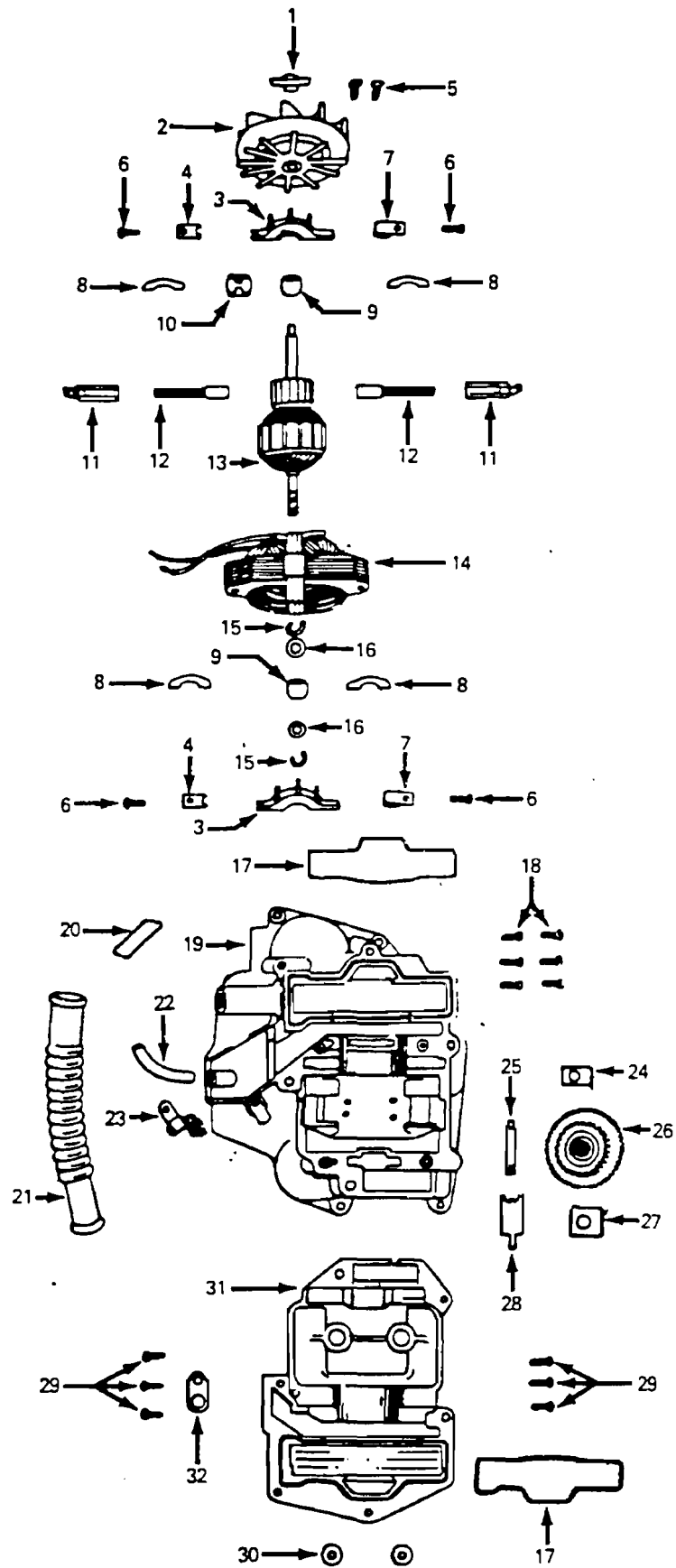
Gear Housing

Models 3600, 3610, 3614, 3614-01, 3616

1	16125AY	+	Capsert
2	15847LL	+	Hood
	167215DL	+	Hood - 3614
	164961DL	+	Hood - 3616
	42271018	+	Hood Assem. - EW - 3614-01
3	16133	+	Nameplate
	164857	+	Nameplate - 3616
4	15745BZ		Idler Gear
5	161028BZ		Bevel Gear
6	15887	*	Hex Nut
7	21312714	*	Washer
8	161328		Brush Shaft Gear
9	15889	+*	Washer
10	21312715	+*	Washer
11	40404064	+	Compression Spring
12	16206AY		Handle Control Lever Spring
13	15910AY		Handle Control Lever
14	34207AG		Foot Pad
15	32175003		Caster Wheel
16	15836	+	Lock Ring
17	40404082		Rear Wheel Shaft
18	15603AG		Foamer Nozzle
19	42273014		Gear Housing
20	15505	+	Front Wheel Shaft
21	38521002		Front Wheel - AG
22	36231118	+	Furniture Guard
23	15808		Squeegee Blade
24	49571AY	+	Rivet
25	162091GA		Squeegee Blade Bracket
26	163598	*	Screw
27	162193		Filter Bar
28	18331		Brush Stop Spring
29	15911		Brush Stop
30	17920	+*	Washer
31	18001	*	Screw
32	18255		Brush Shaft & Inertia Plate - L.H.
33	18254		Brush Shaft & Inertia Plate - R.H.
34	15534		"O" Ring
35	15841BZ		Brush Carrier

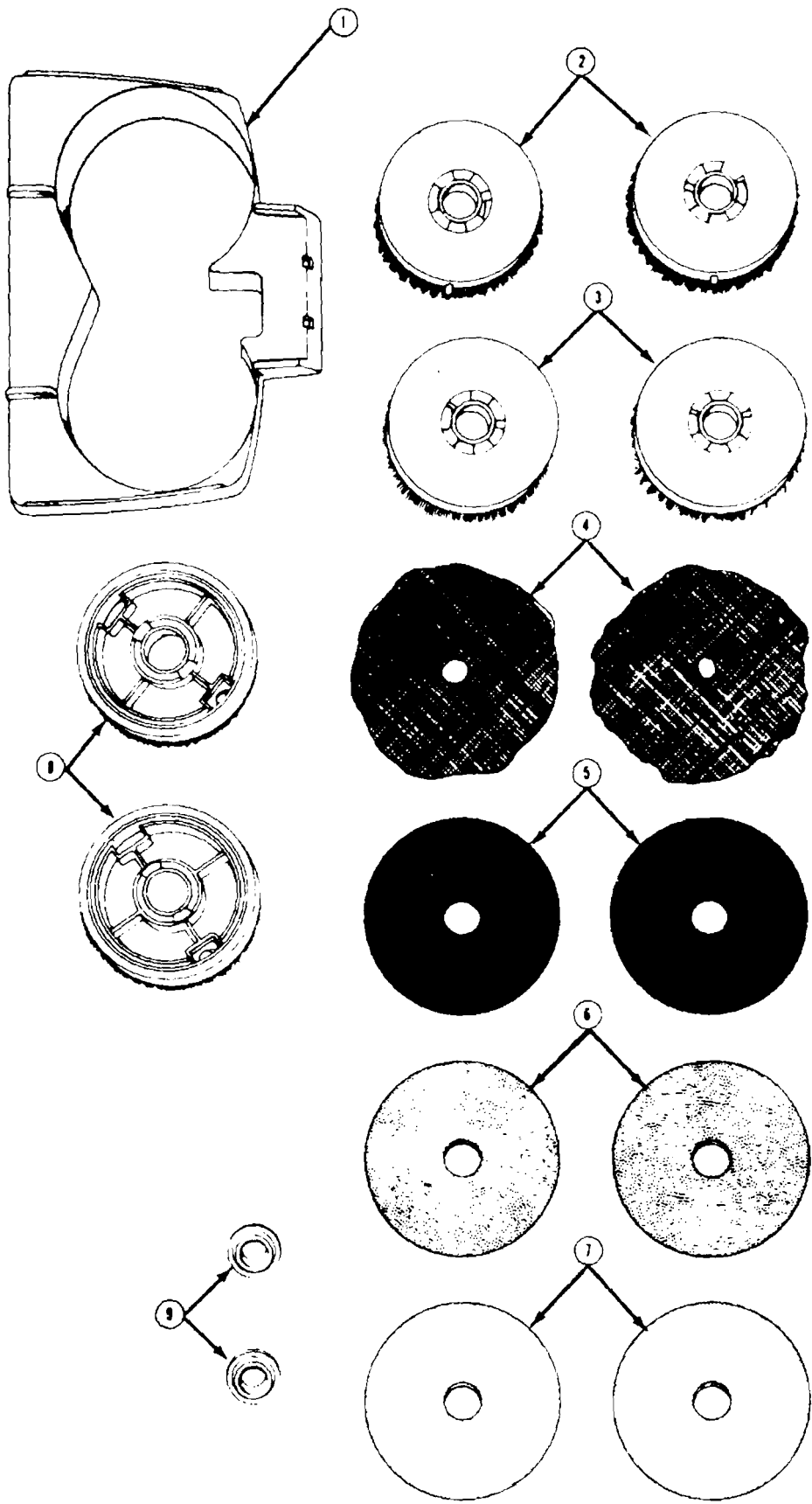
ITEMS NOT ILLUSTRATED

	163356	+	Lens - 3616
	164854	+*	Screw (Lens) - 3616
	164859DL	+	Lens Gasket - 3616
	164933	+	Expansion Nut - 3616
	165024	+	Light Socket Comp. - 3616
	160508	+*	Screw - 3616
	164980	+	Terminals (Light Leads) - 3616
	42241		Bulb - All Models
	16297	+*	Screw - Self Tapping (Hood Attach.)



Motor
 Models 3610, 3614, 3614-01, 3616

1	161023	+	Fan Nut - Black
2	164686		Fan
3	162481		Bearing Retainer Clamp
4	17773	+*	Bearing Retainer Clamp
5	18001	*	Screw
6	17001FW	*	Screw
7	16499FW	+	Bearing Retainer Spring
8	16130	*	Washer - Absorbent
9	15605		Motor Bearing
10	17499	+*	Bearing Shroud
11	15874		Motor Brush Holder
12	18307		Motor Brush Assem.
13	15785		Armature Assem.
14	161337		Field Coil
15	15836	+	Lock Ring
16	21312720	*	Washer
17	40404108		Gasket
18	49417AZ	+*	Screw
19	161029		Motor Housing
	164987	+	Lower Motor Housing
20	15918	+	Gasket
21	19990AG		Hose
22	16158		Detergent Tube
23	14492	+	Cord Clamp
24	40404105		Inside Thrust Clip
25	160350	+	Drive Gear Shaft
26	161024	+	Bevel Drive Gear
27	40404103	+	Outside Thrust Clip
28	160342	+	Shaft Retainer
29	15738EF	*+	Screw
30	163955	+*	Field Pad - 1/4" Thick
31	160849AG		Motor Cover
32	45517	*	Wire Holder
			Model 3600 Motor Assem. Use Power Head Comp. 164688 +



Brushes & Pads

Models 3600, 3610, 3614, 3614-01, 3616

1	37275005		Rug Shampoo Attach.
2	48436009	+	Polishing Brush
3	48436047		Scrubbing Brush
4	18360		High Lustre Pads - Pair
5	18361		Felt Buffing Pads - Pair
6	18362		Cleaning - Waxing Pads - Pair
7	18363		Damp Mop Pads - Pair
8	15636		Rug Shampoo Brush
9	15844		Pad Fasteners
	13128		Bags for Pads (Not Illustrated)
	18996		Steel Wool Pads - Pair