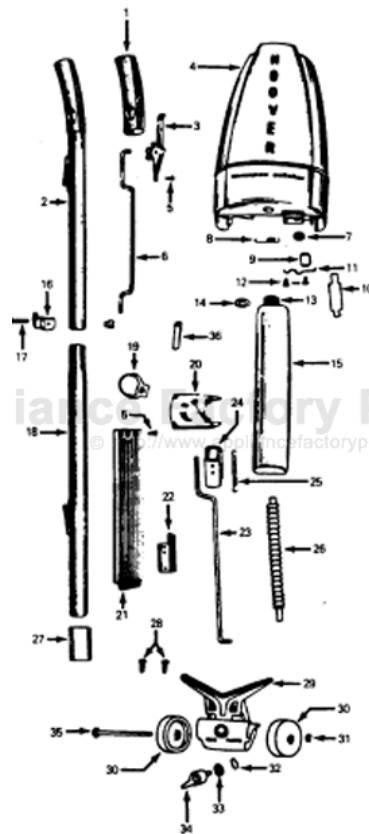


This Owner's Manual is provided and hosted by [Appliance Factory Parts](#).



HOOVER 5020 Owner's Manual

[Shop genuine replacement parts for HOOVER 5020](#)



[Find Your HOOVER Vacuum Cleaner Parts - Select From 1456 Models](#)

----- Manual continues below part list -----

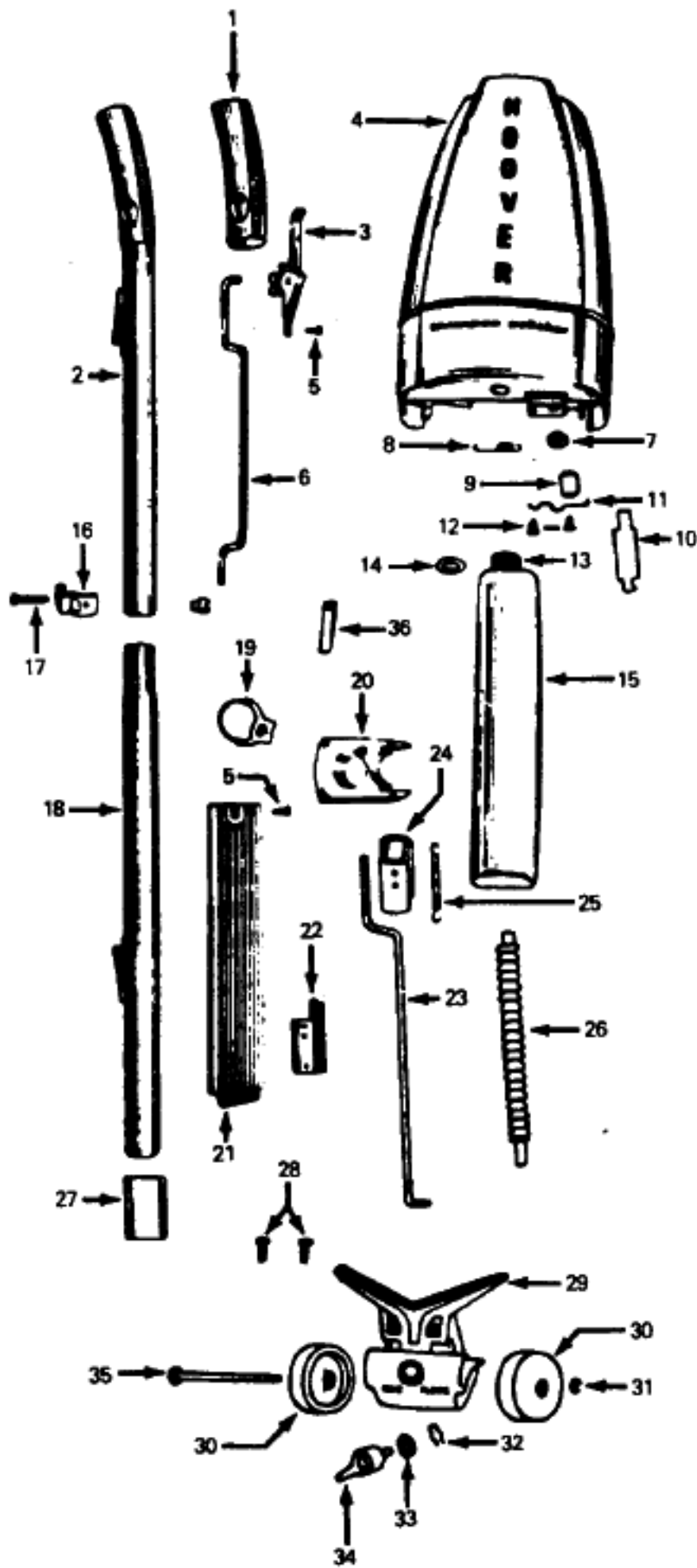
Available Replacement Parts for HOOVER 5020

[KO-2410](#)

Felt Buffing Pads, Pair.

Handle & Tank

Models 5020, 5130, 5131, 5137, 5240, 5350, 5450, 5460, 5466, 5468



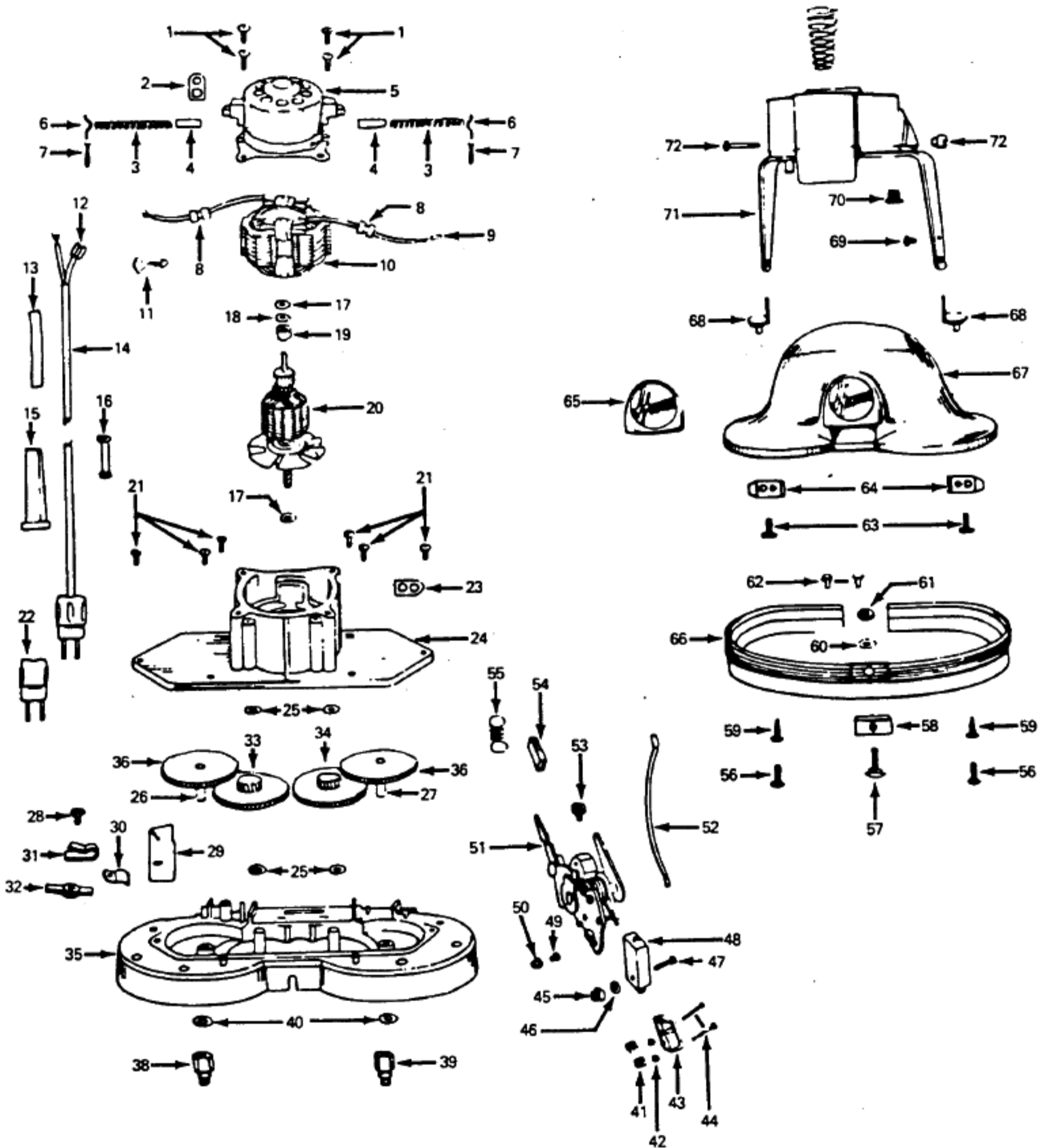
| Ref. No. | Part No. | Description |
|----------|----------|---|
| 1 | 12230JM | + Handle Grip |
| | 35636CC | + Upper Handle - 5460, 5466, 5468 |
| | 49133A | + Upper Handle - 5240 |
| | 35006A | + Upper Handle - 5020, 5450 |
| | 49137A | + Handle Assem. - Upper 5130, 5131, 5137, 5350 |
| 3 | 35433JM | + Control Housing - 5460, 5466, 5468 |
| 4 | 35460AG | + Detergent Tank - 5460, 5466 |
| | 35460BB | + Detergent Tank - 5468 |
| | 35460X | + Detergent Tank - All Models |
| 5 | 21465314 | * Screw |
| 6 | 35405 | + Upper Valve Rod |
| 7 | 48831 | +* Seal |
| 8 | 49220 | + Spring |
| 9 | 35215T | + Tank Valve |
| 10 | 49126 | + Tank Valve Depressor |
| 11 | 35379 | + Valve Closure Support |
| 12 | 19254 | +* Screw |
| 13 | 49507 | + Wax Bottle Cap - All Models |
| 14 | 49506 | +* Washer |
| 15 | 49187 | + Wax Bottle Assem. |
| 16 | 35665A | + Cord Support Clip - 5350 |
| | 12910 | + Cord Clamp - 5130, 5131, 5137 |
| 17 | 48294AW | + Handle Bolt & Nut |
| 18 | 35434R | + Handle Assem. - Lower Half - 5240, 5460, 5466 |
| | 35434CC | + Handle Assem. - Lower Half - 5468 |
| | 35007JM | + Lower Handle - 5020, 5130, 5131, 5137, 5350, 5450 |
| 19 | 49219 | + Bottle Latch |
| 20 | 11902X | + Detergent Tank Cap |
| | 11902BB | + Detergent Tank Cap - 5468 |
| 21 | 35456 | + Trim Plate |
| 22 | 35454DM | + Cap Retainer |
| 23 | 612866 | + Lower Valve Rod |
| 24 | 12465 | + Handle Plug |
| 25 | 12984AY | + Spring |
| 26 | 17473 | + Distributor Hose |
| 27 | 35430 | + Handle Insulator |
| 28 | 12956 | * Screw |
| 29 | 18853DN | + Wheel Carriage & Distr. - All Models |
| | 23348HH | + Wheel Bracket - Only 5240 |
| 30 | 32175003 | + Caster Wheel |
| 31 | 13306 | * Ring |
| 32 | 12979 | * Ring |
| 33 | 18249 | +* Washer |
| 34 | 17234 | + Valve Body |
| 35 | 35662AY | + Wheel Shaft - 5460, 5466, 5468 |
| | 49114 | + Wheel Shaft - 5240 |
| 36 | 14503 | + Insulating Tube - 5460, 5466, 5468 |

ITEMS NOT ILLUSTRATED

| | |
|---------|-----------------------------------|
| 48750 | +* Pin - 5460, 5466, 5468 |
| 35381 | + Distributor - 5240 |
| 35005AB | + Cord Support - 5020, 5240, 5450 |
| 35004 | + Cord Support - 5020, 5240, 5450 |

Motor & Housing

Models 5130, 5131, 5137, 5350, 5460,
5466, 5468



Motor & Housing

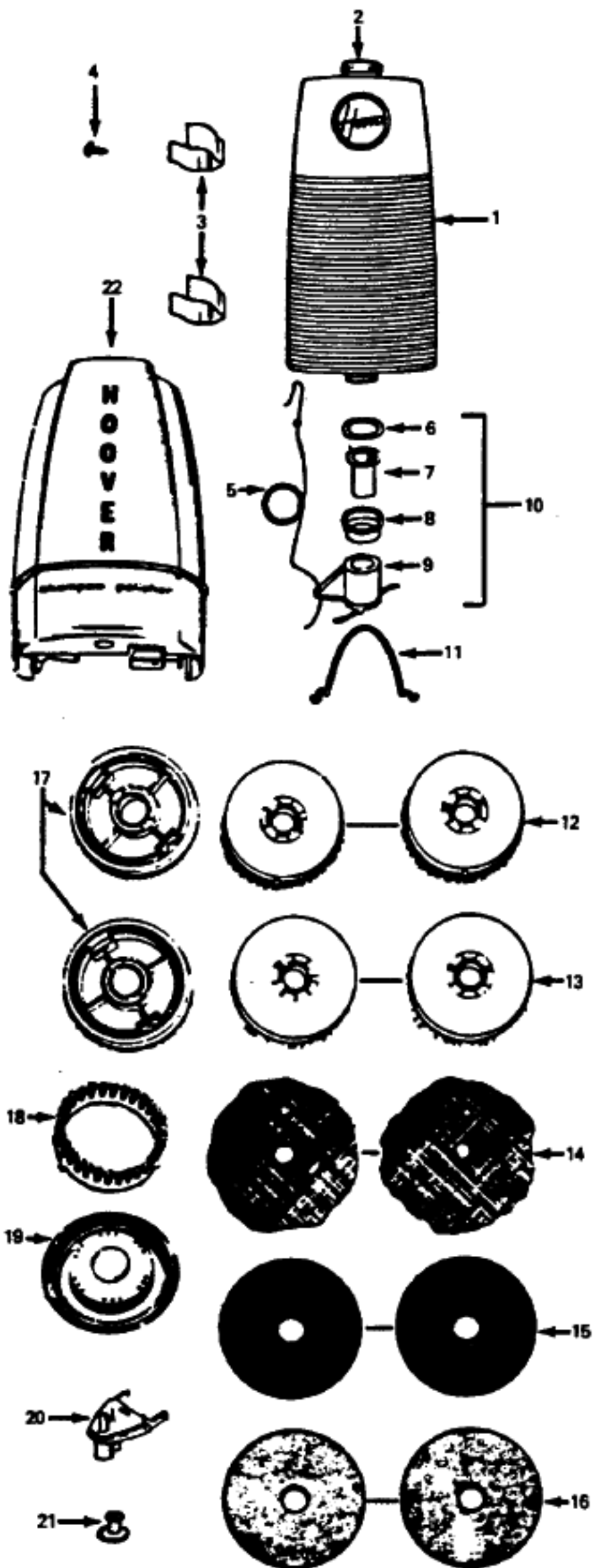
Models 5130, 5131, 5137, 5350, 5460, 5466, 5468

| Ref. | Part | No. | No. | Ref. | Part | No. | No. |
|-------------|----------|-----|-----------------------------|-------------|----------|---|---|
| Description | | | | Description | | | |
| 1 | 17001FW | * | Screw | 43 | 35589 | + | Switch |
| 2 | 13190 | +* | Lead Wire Holder | 44 | 12892 | * | Screw - Machine |
| 3 | 49423 | + | Motor Brush Spring | 45 | 21388105 | +* | Nut - Special |
| 4 | 49351 | + | Motor Brush | 46 | 21312761 | * | Washer |
| 5 | 42197002 | | Motor Cap Assem. | 47 | 12892 | * | Screw - Machine |
| 6 | 49397 | +* | Retainer | 48 | 19512AH | | Switch |
| 7 | 49435 | +* | Pin | 49 | 14360 | +* | Eyelet |
| 8 | 49379 | + | Lead Wire Collar | 50 | 14377 | +* | Switch Insulator |
| 9 | 14197 | +* | Terminal | 51 | 35676 | + | Bail Mounting Bracket Assem. |
| 10 | 23444 | | Field Assem. | 52 | 12574 | + | Lead Wire - By Foot |
| 11 | 48969 | * | Wire Nut | 53 | 49429 | +* | Screw |
| 12 | 160356 | * | Terminal | 54 | 34207AG | | Foot Pad |
| 13 | 48262A | + | Cord Cover Tube | 55 | 12891 | | Handle Control Lever Spring |
| 14 | 46363338 | | Attach. Cord | 56 | 49188 | +* | Screw |
| 15 | 12229JM | + | Cord Protector | 57 | 12548 | + | Carriage Bolt |
| 16 | 14504 | + | Bail Socket Insulator | 58 | 49403 | + | Furniture Guard Retainer |
| 17 | 49407 | + | Washer | 59 | 12738 | +* | Screw |
| 18 | 15865 | * | Washer | 60 | 12236 | +* | Washer |
| 19 | 49344 | +* | Insulator | 61 | 15673 | * | Hex Nut |
| 20 | 23445 | | Armature | 62 | 49571AY | + | Rivet |
| 21 | 49417AZ | +* | Screw | 63 | 44099 | +* | Screw |
| 22 | 35380 | | Service Plug Assem. | 64 | 47779 | + | M. H. Attach. Plate |
| 23 | 45517 | * | Wire Holder | 65 | 35581 | + | Nameplate |
| 24 | 12165 | | Gear Cover Assem. | 66 | 23469A | + | Furniture Guard - 5460, 5466, 5468 |
| 25 | 21312724 | * | Washer | | 23401A | + | Furniture Guard - 5130, 5131, 5137, 5350 (Wide) |
| 26 | 168402 | | Brush Shaft & Insert - R.H. | 67 | 23450B | + | Hood Assem. |
| 27 | 168403 | | Brush Shaft & Insert - L.H. | 68 | 19978BG | + | Ball Arm Retainer |
| 28 | 14378 | +* | Screw | 69 | 49433 | +* | Screw |
| 29 | 14367 | + | Cord Insulator | 70 | 14491 | + | Snap Bushing |
| 30 | 34312011 | * | Clip - Early Model | 71 | 35644CC | + | Ball - 5460, 5466, 5468 |
| 31 | 12910 | | Cord Clamp - Late Model | | 35605A | + | Bail Assem. - 5103, 5131, 5137, 5350 |
| 32 | 49388AY | + | Bail Shaft - R.H. | 72 | 48294AW | | Handle Bolt & Nut |
| 33 | 35675BZ | | Idler Gear - R.H. (Black) | | | | |
| 34 | 35674 | | Idler Gear - L.H. | | | | |
| 35 | 42273011 | | Gear Housing Comp. | | | | |
| 36 | 38541002 | | Brush Gear | | | | |
| 38 | 35583 | | Shaft & Nut - R.H. | 14503 | + | Insulating Tube - 5460, 5466, 5468 | |
| 39 | 35584 | + | Shaft & Nut - L.H. | 168505 | + | Brush Shaft Bushing | |
| 40 | 21312756 | * | Washer | 12622 | * | Plastic Washer - Used with Bearing 168505 | |
| 41 | 14199 | +* | Nut | | | | |
| 42 | 14287 | + | Lock Washer | | | | |

ITEMS NOT ILLUSTRATED

Polisher Accessories

Models 5020, 5130, 5131, 5137, 5200, 5240, 5350, 5450, 5460, 5466, 5468, 5476



| Ref. Description | Part No. | No. | No. |
|------------------|----------|-----|---------------------------------------|
| 1 | 14464BA | + | Liquid Dispenser Tank - 1-1/2 Qt. |
| | 18891BZ | + | Liquid Dispenser Tank - 1 Qt.. |
| 2 | 14486JM | + | Tank Cap |
| 3 | 49482JM | + | Clamp Spring Clip |
| 4 | 160548 | +* | Screw |
| 5 | 35413 | + | Pull Cord, Hook & Ring Assem. |
| 6 | 49539 | +* | Gasket |
| 7 | 35412 | + | Valve Body |
| 8 | 49490 | + | Cap |
| 9 | 35415 | + | Valve Sleeve & Hose Assem. |
| 10 | 43516003 | + | Valve Assem. |
| 11 | 35576 | + | Hose Guide |
| 12 | 35354 | | Floor Polisher Brush - Models B |
| | 35580 | + | Waxing & Scrubbing Brushes - Models A |
| 13 | 35613 | | Polishing Brush - Models A |
| | 35354 | | Polishing Brush - Models B |
| 14 | 13197 | | High Lustre Pads, Pair - Models A |
| | 13198 | + | High Lustre Pads, Pair - Models B |
| 15 | 48432014 | | Felt Buffing Pads, Pair - Models A |
| | 13194 | + | Felt Polishing Pads, Pair - Models B |
| 16 | 13195 | | C. & W. Pads, Pair - Models A |
| | 13196 | + | C. & W. Pads, Pair - Models B |
| 17 | 15116 | | Rug Shampoo Brush & Body - Models A |
| 18 | 35419 | + | Rug Shampoo Brush - Models B |
| 19 | 35418 | + | Rug Shampoo Body - Models B |
| | 35384 | + | Rug Shampoo Assem. - Models B |
| 20 | 15217HH | + | Foam Wax Dispenser - Models A |
| 21 | 13131 | | Plastic Fastener - Models A |
| | 13132 | + | Plastic Fastener - Models B |
| 22 | 35460BB | + | Detergent Tank - 5200, 5468, 5476 |
| | 35460G | + | Detergent Tank - 5460, 5466 |

ITEMS NOT ILLUSTRATED

| | | |
|--------|---|----------------------------------|
| 35575 | + | Can Clamp Lever Assem. |
| 35656 | + | Spring for 35575 |
| 23067 | + | Rug Applicator - 5020, 5450 |
| 161084 | | Steel Wool Pads, Pair - Models A |

Models A - 5130, 5131, 5137, 5200, 5350, 5460, 5466, 5468, 5476
 Models B - 5020, 5240, 5450