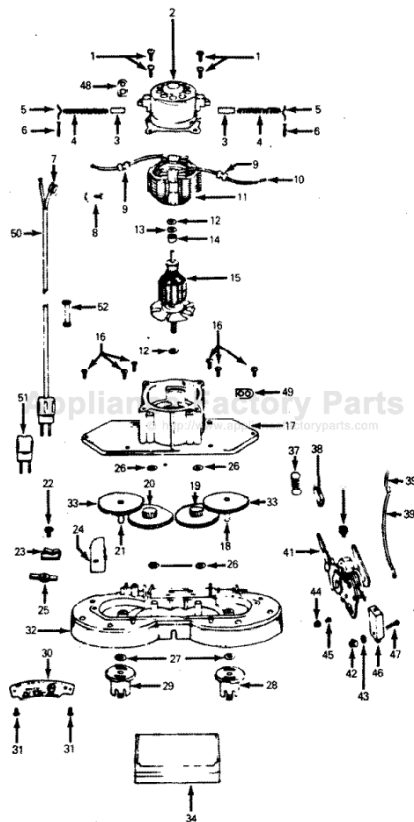


This Owner's Manual is provided and hosted by Appliance Factory Parts.



HOOVER 5140 Owner's Manual

[Shop genuine replacement parts for HOOVER 5140](#)



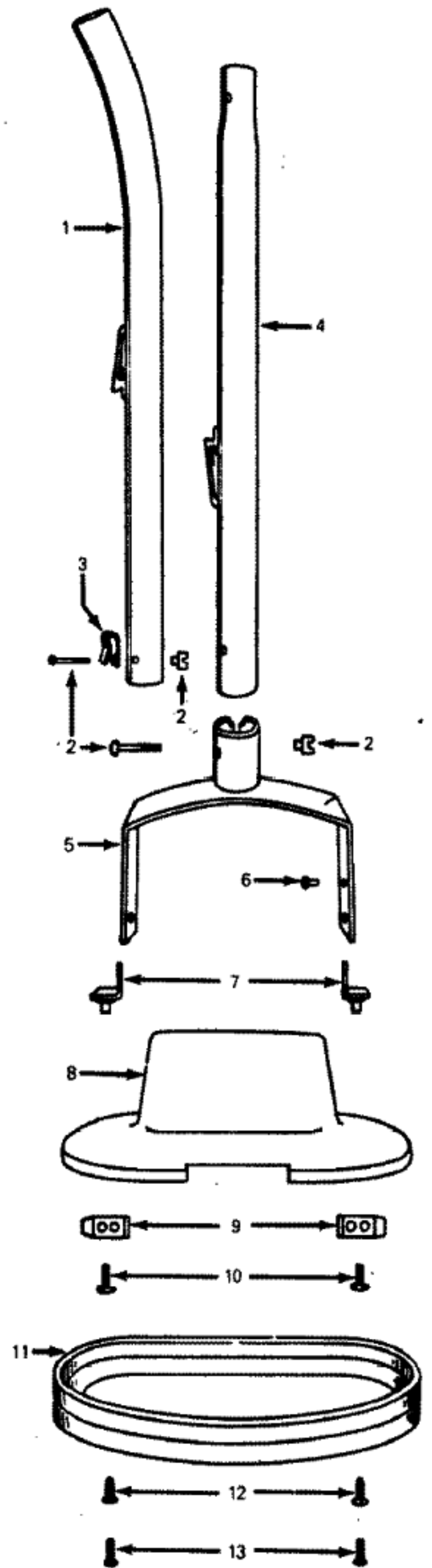
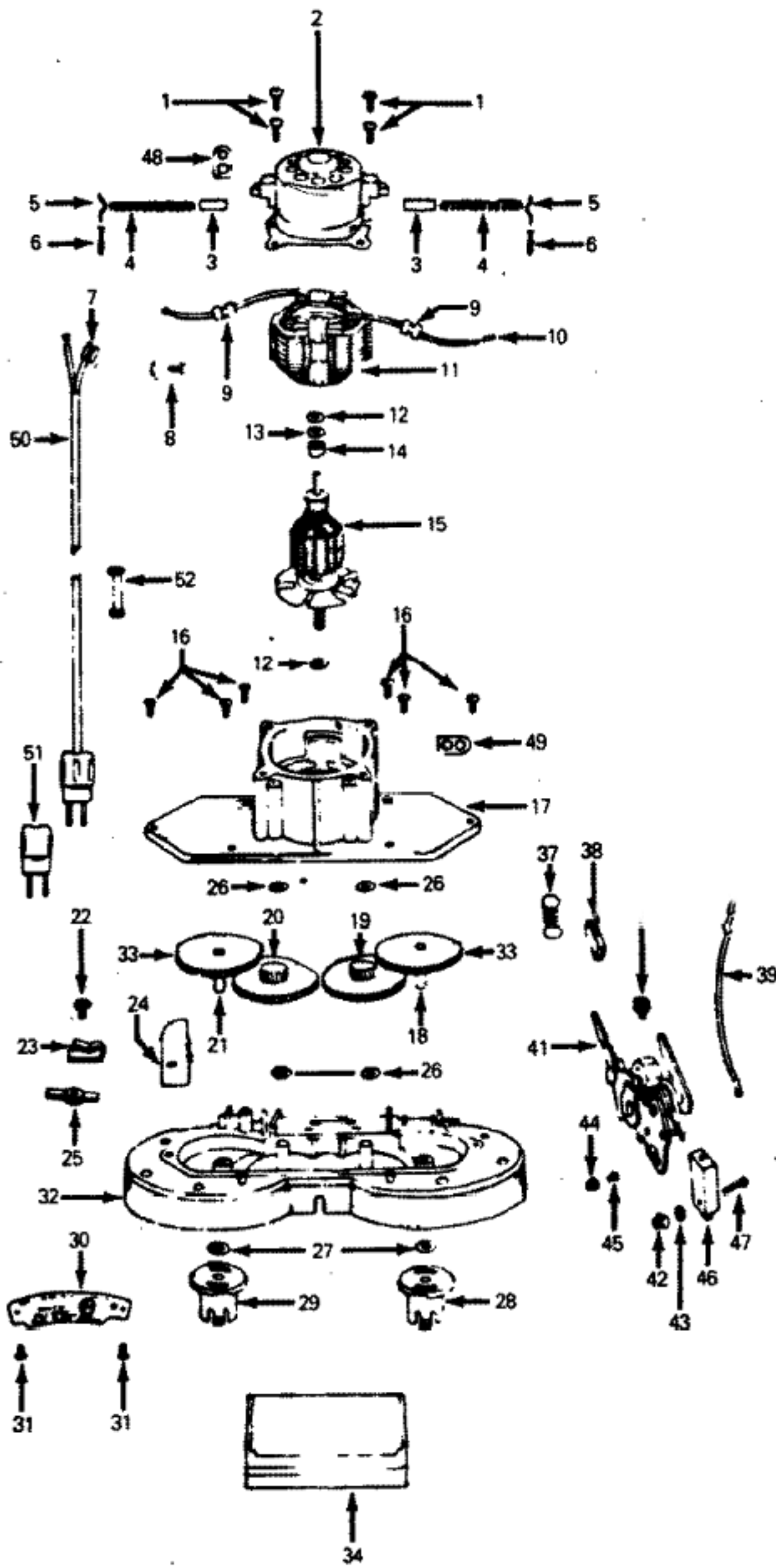
[Find Your HOOVER Vacuum Cleaner Parts - Select From 1456 Models](#)

----- Manual continues below part list -----

Available Replacement Parts for HOOVER 5140

[12738](#)

THUMB SCREW ASSEMBLY



Model Number: 5140

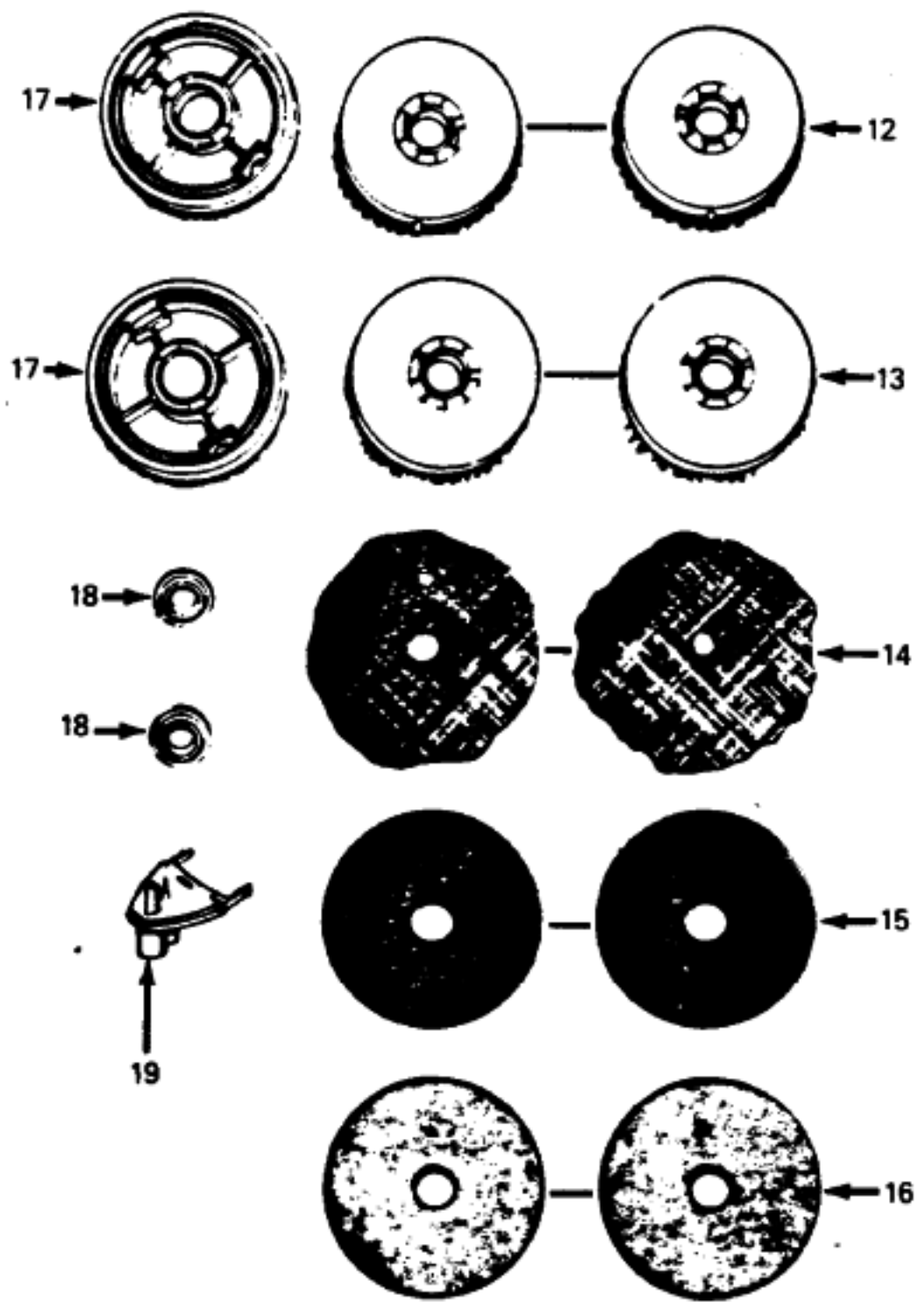
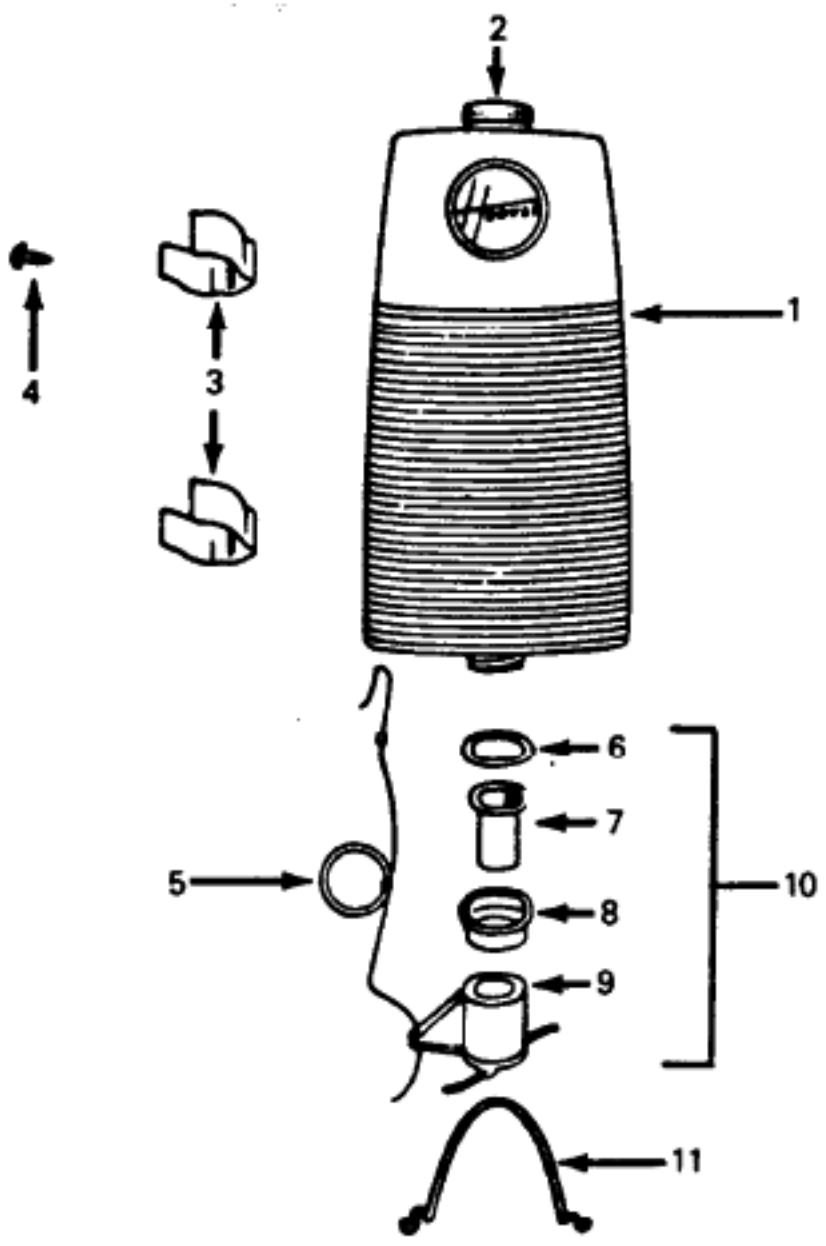
BOM/Serial #: 5140

Graphic Title: MOTOR, HANDLE, HOOD, SWITCH, GEARS

Image	Key	Part Number	Description	Substitution	Qty.
1	1	35568JM-	HANDLE UPR		1
1	1	049137LL	HANDLE ASSY-UPPER-51		1
1	1	017001FW	SCREW		1
1	2	48294AW-	BOLT & NUT	048294AW	1
1	2	42197002	MOTOR CAP ASSEMBLY		1
1	3	049351--	MOTOR BRUSH 5350		1
1	3	012910--	CORD CLAMP		1
1	4	049423--	MOTOR BRUSH SPRING-5		1
1	4	37007LL	HANDLE - LOWER HALF		1
1	4	35007JM-	HANDLE LWR		1
1	5	049397--	RETAINER		1
1	5	41415002	EXP-BAIL ARM		1
1	5	017876LL	BAIL-5148		1
1	6	049435--	PIN		1
1	6	049433--	SCREW		1
1	7	160356--	TERMINAL		1
1	7	019978BG	BAIL ARM RETAINER A-		1
1	8	017880DL	HOOD COMPLETE ETE		1
1	8	167016EW	HOOD ASSEMBLY		1
1	8	167016DY	HOOD ASSEMBLY-5168		1
1	8	167015EY	HOOD ASSEMBLY		1
1	8	048969--	WIRE NUT		1
1	8	167015DL	HOOD ASSEMBLY-5158		1
1	9	047779--	M H ATTACHING PLATE		1
1	9	049379--	LEAD WIRE COLLAR 535		1
1	10	014197--	TERMINAL		1
1	10	044099--	SCREW		1
1	11	023444--	FIELD ASSEMBLY 5350		1
1	11	017874JM	FURNITURE GUARD		1
1	12	21312720	WASHER		1
1	12	012738--	SCREW		1
1	13	015865--	WASHER		1
1	13	049188--	SCREW		1
1	14	049344--	INSULATOR		1
1	15	023445--	ARMATURE 5350		1

Image	Key	Part Number	Description	Substitution	Qty.
1	16	049417AZ	SCREW		1
1	17	012165--	GEAR COVER ASSEMBLY		1
1	18	168404--	BRUSH SHAFT & INSERT LH		1
1	19	035674--	IDLER GEAR-LEFT HAND		1
1	20	035675BZ	IDLER GEAR-RH-S486		1
1	21	168405--	BRUSH SHAFT & INSERT RH		1
1	22	014378--	SCREW 5140		1
1	23	012910--	CORD CLAMP		1
1	24	014367--	CORD INSULATOR-F4251		1
1	25	049388AY	BAIL SHAFT RH-5350		1
1	26	21312724	WASHER		1
1	27	21312757	WASHER		1
1	28	017308--	BRUSH CARRIER LH 514		1
1	29	017309--	BRUSH CARRIER RH 514		1
1	30	017870--	PATENT PLATE 5146		1
1	30	017871--	PATENT PLATE 5148		1
1	30	166118--	DATA PLATE-5160		1
1	30	166113--	DATA PLATE-5150		1
1	30	017869--	PATENT PLATE 5140		1
1	31	049508--	SCREW		1
1	32	42273011	GEAR HOUSING C.G.		1
1	33	38541002	BRUSH GEAR		1
1	34	017074AG	HOOD ADAPTER		1
1	37	012891--	HANDLE CONTROL LEVER		1
1	38	034207AG	FOOT PAD - F5047		1
1	39	012574--	LEAD WIRE BY FOOT		1
1	40	049429--	SCREW		1
1	41	035676--	BAIL MOUNTING BRACKET		1
1	41	165104--	BAIL MTG BRKT W/SWTC		1
1	41	43138001	BAIL MOUNTING BRACKET		1
1	42	21388105	NUT-SPECIAL		1
1	43	21312761	WASHER		1
1	44	014377--	SWITCH INSULATOR 513		1
1	45	014360--	EYELET 5131		1
1	46	19512AH-	SWITCH	019512AH	1
1	47	012892--	SCREW-MACHINE		1
1	48	013190--	LEAD WIRE HOLDER-F42		1
1	49	045517--	WIRE HOLDER		1

Image	Key	Part Number	Description	Substitution	Qty.
1	50	46363338	EXP-ATTACH. CORD		1
1	50	012887HH	OBSOLETE DLS		1
1	51	035380--	SERVICE PLUG ASSEMBL		1
1	52	014504--	BAIL SOCKET INSULATOR		1
1	53	168505--	BRUSH SHAFT BUSHING-		1
1	53	012622--	WASHER-SPECIAL-5300		1



Model Number: 5140

BOM/Serial #: 5140

Graphic Title: TANK, BRUSHES_PADS

Image	Key	Part Number	Description	Substitution	Qty.
1	1	014464BZ	LIQUID DISPENSER TANK		1
1	2	014486JM	TANK CAP		1
1	3	049482JM	CLAMP SPRING CLIP		1
1	4	160548--	SCREW		1
1	5	035413--	PULL CORD HOOK & RIN		1
1	6	049539--	GASKET		1
1	7	035412--	VALVE BODY 5130		1
1	8	049490--	CAP		1
1	9	035415--	VALVE SLEEVE & HOSE		1
1	10	43516003	VALVE ASSEM		1
1	11	035576--	HOSE GUIDE 5350		1
1	12	48436045	POLISHING/SCRUB BRUS		1
1	13	019619AG	SCRUBBING BRUSH	48436045	1
1	14	018360--	LAMBS WOOL BUFFING PAIR		1
1	15	018361--	FELT BUFFING PADS-PAIR		1
1	16	018362--	CLEAN-WAX PADS-PAIR-		1
1	17	015636--	RUG SHAMPOO BRUSHES-		1
1	18	015844--	PAD FASTENERS-5SER-5		1
1	19	015217HH	FOAM WAX DISPENSER-5		1
1	19	015217DN	FOAM-WAX DISPENSER-5		1
1	19	015217-A	FOAM - WAX DISPENSER		1
1	20	018891BZ	LIQUID TANK		1
1	20	018996--	STEEL WOOL PADS - PAIR		1