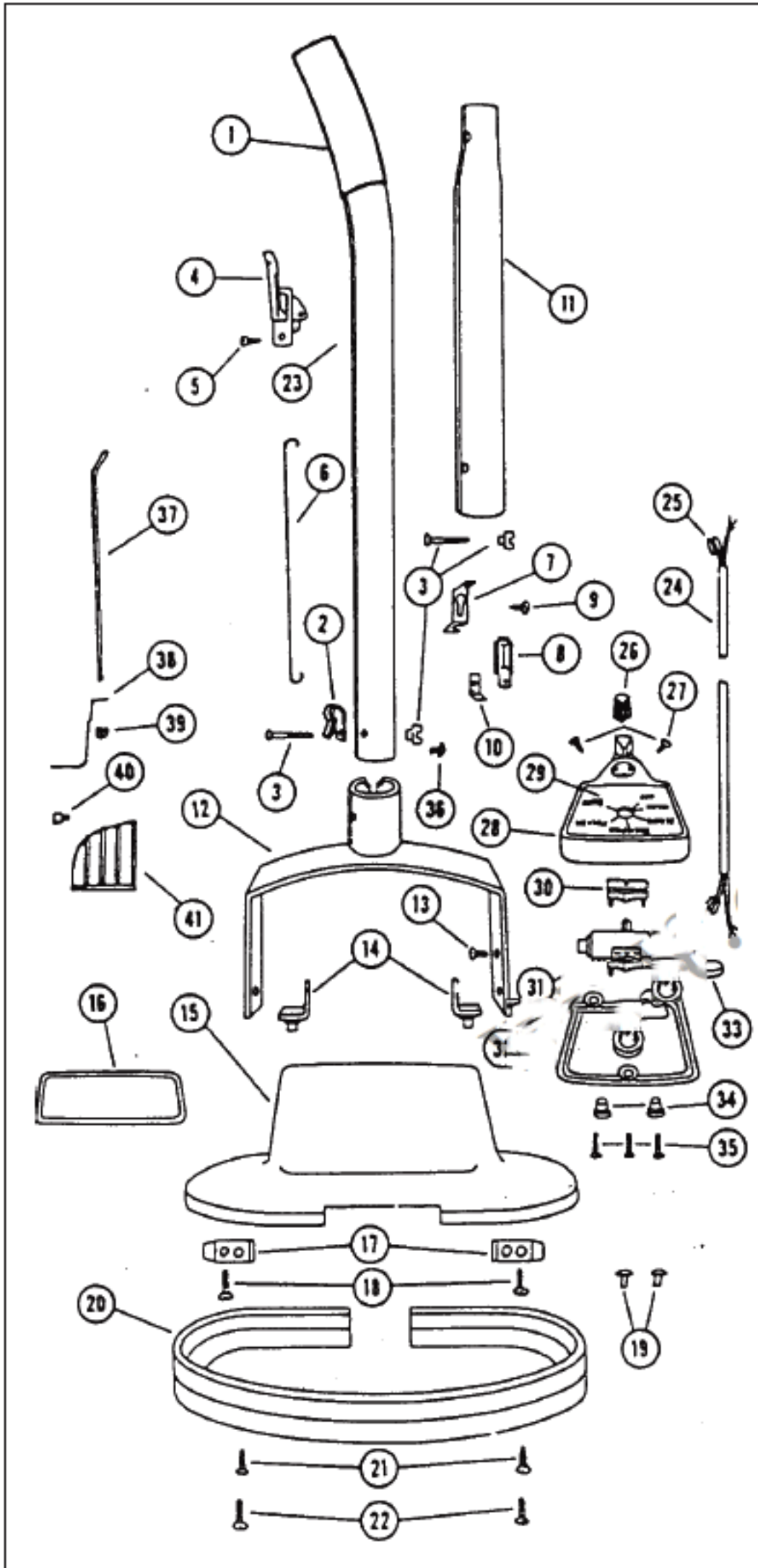


Original **HOOVER**

POLISHER/SHAMPOOER

Handle, Hood & Bail

Models 5300, 5308, 5308-01, 5471, 5477, 5479, 5480, 5488, 5488-01, 5498



KEY	PART NO.	DESCRIPTION
1	H-19510 LL +	Handle & Cap w/Rivet 5300, 5471, 5477, 5479, 5480, 5488, 5498
	H-17378 JM	Handle Comp. - 5471, 5477
	H-17752 LL +	Handle Comp. - 5479
2	H-12910	Cord Clamp
3	H-48294 AW	Handle Bolt & Nut
4	H-17377 JM	Control Housing
5	H-21465314 *	Screw
6	H-17331	Control Lever Rod
7	H-162069 AY	Valve Rod Bracket
8	H-17251 +	Cap Detent Bracket
9	H-17942 *	Screw
10	H-18559 +	Tank Stop
11	H-17330 JM	Handle - Lower Half
12	H-165102 M	Bail Ass'y - 5308, 5308-01, 5480, 5488, 5488-01, 5498
	H-17348 JM +	Bail
13	H-49434	Screw
14	H-199797 + +	Bail Arm Retainer
15	H-173494E +	Hood - 5471
	H-49701 RR +	Hood - 5479
	H-16017 BE +	Hood - 5477
	H-165978 DR +	Hood - 5300
	H-166701 DR +	Hood Comp. - 5498
	H-167017 CD +	Hood Comp. - 5308-01
	H-167017 DR +	Hood Comp. - 5308
	H-42271060	Hood Comp. - 5480, 5488
	H-166699 FN +	Hood Comp. - 5488-01
16	H-17293 DN +	Nameplate
17	H-47779	Hood Attachment Plate
18	H-44099 + *	Screw
19	H-49571 AV *	Rivet
20	H-17292 JM +	Furniture Guard
21	H-12738 *	Screw
22	H-49188 *	Screw
		Used on 5479 only
24	H-17772 HH +	Motor Cord
25	H-160356	Terminal
26	H-13743 A +	Control Knob
27	H-14863 *	Screw
28	H-14820 A +	Speed Control Box
29	H-14835 +	Indicator Plate
30	H-14821 +	Spacer
31	H-36935 +	Speed Control Unit
32	H-14839 LL +	Control Box - Bottom
33	H-163434	Pressure Pad
34	H-12226	Strain Relief Bushing
35	H-14865 *	Screw
36	H-17252 *	Rivet
37	H-162068	Control Rod - Threaded End
38	H-162069 AY	Valve Control Bracket
39	H-162067	Nut
40	H-12763 AW *	Rivet
41	H-161450 JM	Tank Cap Lock - 5308-01
	H-161450 DC +	Tank Cap Lock - 5488-01
	H-161450 DM +	Tank Cap Lock

ITEMS NOT ILLUSTRATED

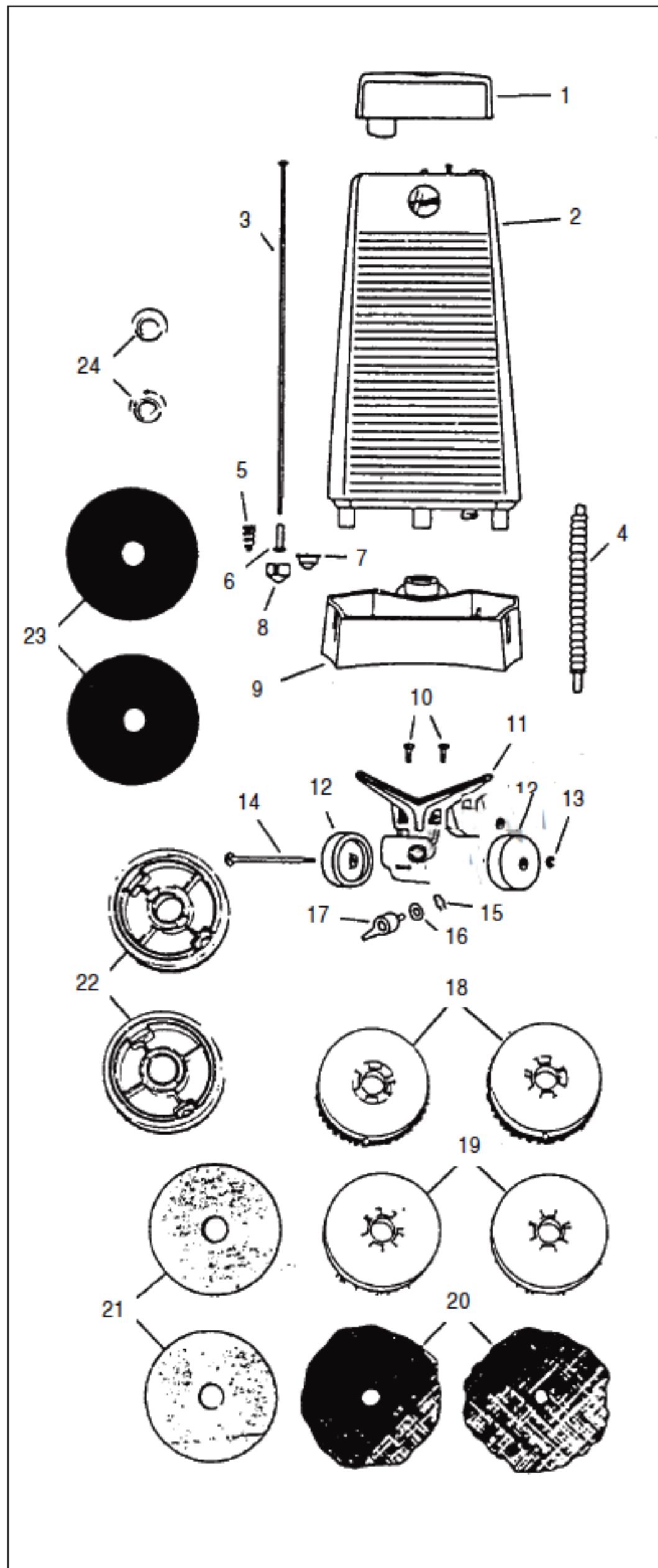
KEY	PART NO.	DESCRIPTION
	H-27317307	Dirt Finder Lamp - 5498
	H-16125 AY	Capsert - 5498
	H-17252 *	Handle Rivet
	H-19461 +	Handle Cap
	H-162179 *	Screw - Lens - 5498
	H-166610 CP +	Lens - 5498

HOOVER Original

POLISHER/SHAMPOOER

Tank & Accessories

Models 5300, 5308, 5308-01, 5471, 5477,
5479, 5480, 5486, 5488, 5488-01 5498



KEY	PART NO.	DESCRIPTION
1	H-17084 JM	Tank Cap
2	H-166665 BZ	Tank Comp.
3	H-19717	Valve Rod
4	H-17473	Distributor Hose
5	H-17314	Valve Spring
6	H-14341	Valve Rod End
7	H-15796	Tank Cap Liner
8	H-17326 JM	Valve Cap
9	H-17083 DD + H-17083 JM H-169421 FN +	Tank Support Tank Support - 5300, 5308-01 Tank Support - 5488-01
10	H-12956	Screw
11	H-18853 DN H-36432002	Wheel Carriage Wheel Carriage & Distributor - 5308-01, 5488-01
12	H-32175003 H-32175004	Caster Wheel Caster Wheel- JJ - 5308-01, 5488-01
13	H-13306	* Ring
14	H-35662 AY	Wheel Shaft
15	H-12979	* Ring
16	H-18249	+* Washer
17	H-15862 AY	+ Valve Body
18	H-15979 J4	+ Polishing/Scrubbing Brush
19		+ Scrubbing Brush
20	H-15636	High Lustre Pads - Pair
21	H-18962 AY	C. & W. Pads - Pair
22	H-15636	Rug Shampoo Brush - Pair
23	H-18361	Felt Buffing Pads - Pair
24	H-15844	Pad Fastener

ITEMS NOT ILLUSTRATED

H-18996	Steel Wool Pads - Pair
H-37911052	Plug - JM - 5308-01, 5488-01