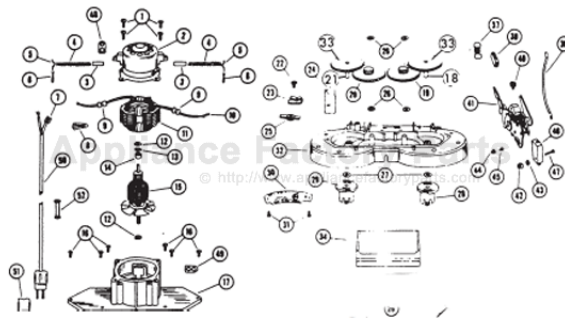


This Owner's Manual is provided and hosted by [Appliance Factory Parts](http://ApplianceFactoryParts.com).



# HOOVER 5498 Owner's Manual

[Shop genuine replacement parts for HOOVER 5498](#)



[Find Your HOOVER Vacuum Cleaner Parts - Select From 1456 Models](#)

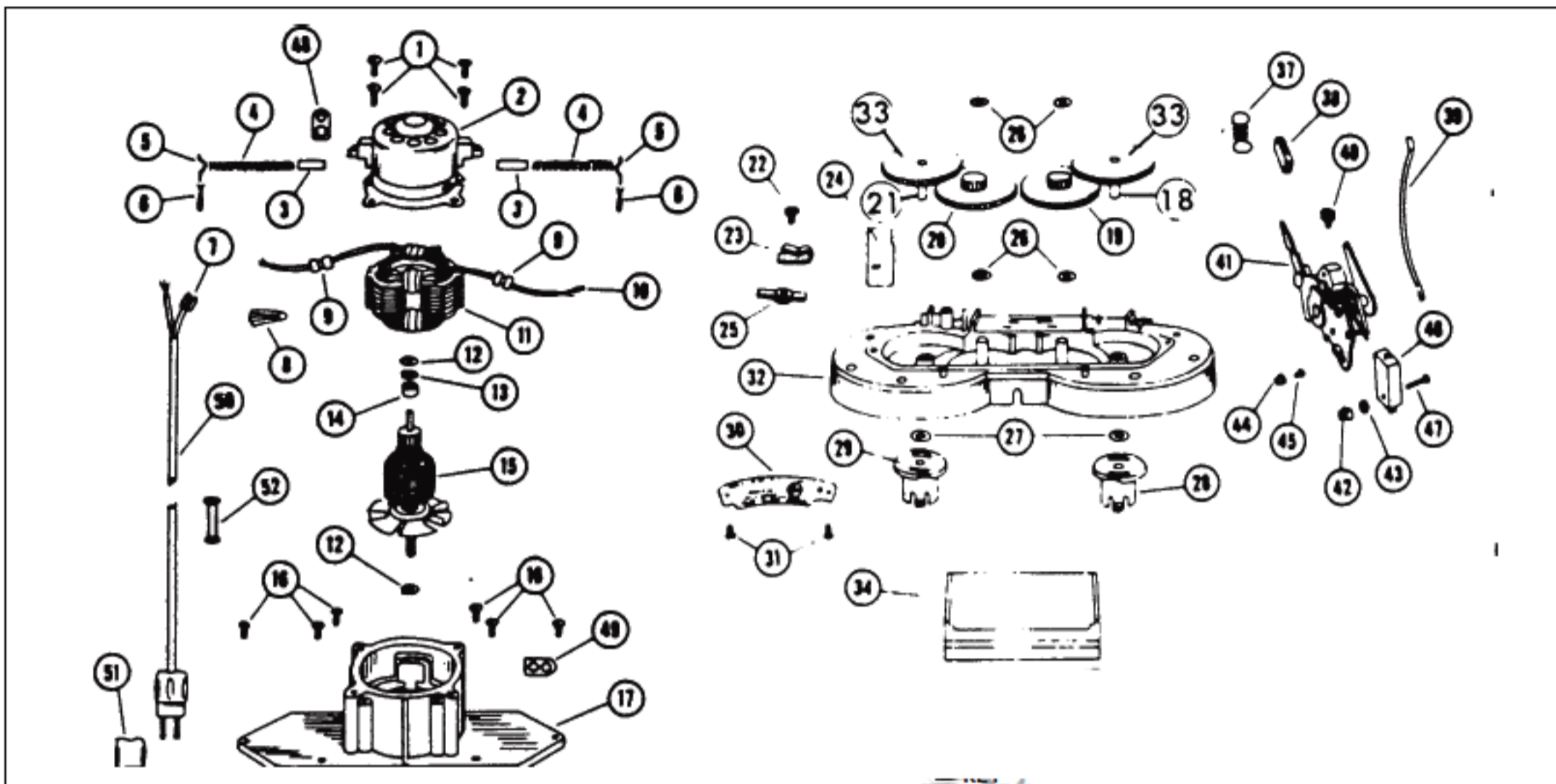
----- Manual continues below -----

# HOOVER Original

## POLISHER/SHAMPOOER

### Motor & Housing

Models 5300, 5308, 5308-01, 5471, 5477, 5479, 5480, 5488, 5488-01, 5498



KEY	PART NO.	DESCRIPTION
1	H-17001	* Screw
2	H-35559	Motor Cap Ass'y
3	H-49351	Motor Brush
	H-14882	Motor Brush Ass'y - 5479
4	H-49423	Motor Brush Spring
5	H-49397	*+ Retainer
6	H-49435	* Pin
7	H-160356	* Terminal
8	H-48969	* Wire Nut
9	H-49379	Load Wire Collar
10	H-14197	* Terminal
11	H-23444	Field Ass'y
	H-14793	+ Field Ass'y - 5479
12	H-21312720	* Washer
13	H-15865	* Washer
14	H-49344	* Insulator
15	H-23445	Armature
	H-14794	+ Armature - 5479
16	H-49417 AZ	* Screw
17	H-12165	Gear Cover Ass'y
18	H-168404	Brush Gear & Shaft - L.H.
19	H-35674	Idler Gear - L.H.
20	H-35675 BZ	Idler Gear - R.H.
21	H-168405	Brush Gear & Shaft - R.H.
22	H-14378	* Screw
23	H-12910	Cord Clamp
24	H-14367	+ Cord Insulator
25	H-49388	Bail Shaft - R.H.
26	H-19245	* Washer
27	H-21312757	* Washer
28	H-17308	Brush Carrier - L.H.
29	H-17309	Brush Carrier - R.H.
30	H-17256	+ Patent Plate - 5471
	H-17824	+ Patent Plate - 5477
	H-17751	+ Patent Plate - 5479
	H-166104	+ Patent Plate - 5300

KEY	PART NO.	DESCRIPTION
	H-166060	+ Date Plate - 5480
31	H-49508	+* Screw
32	H-42273011	Gear Housing Complete
33	H-38541002	Brush Gear
34	H-17074 AG	Hood Adapter
37	H-12891	Handle Control Lever Spring
38	H-34207 AG	Foot Pad
39	H-12574	Lead Wire by Foot
40	H-49429	* Screw
41	H-35676	Bail Mounting Bracket Ass'y - 5471, 5477, 5479
	H-165104	Bail Mounting Bracket w/Switch
	H-43138001	Bail Mounting Bracket Only - 5308, 5480, 5488
42	H-14493	* Nut - Special
43	H-21312761	* Washer
44	H-14377	* Switch Insulator
45	H-14360	Eyelet
46	H-19512 AH	Switch
47	H-12892	Screw-Machine
48	H-13190	+* Lead Wire Holder
49	H-45517	Wire Holder
50	H-14786 T	+ Attachment Cord - 5479
	H-46363281	Attachment Cord
51	H-35380	Service Plug Ass'y
52	H-14504	+ Bail Socket Insulator

#### ITEMS NOT ILLUSTRATED

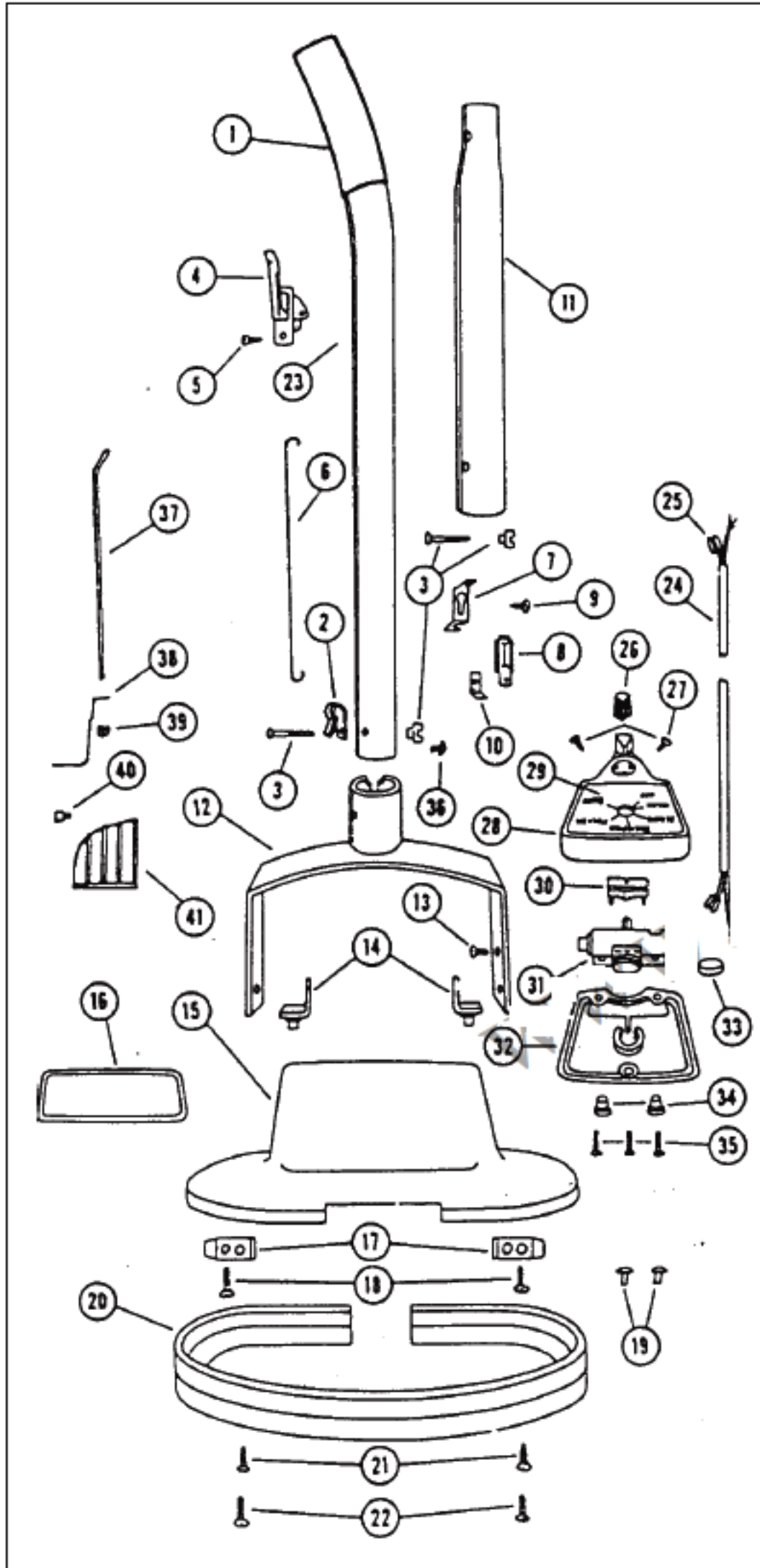
H-160472	Insulating Pad - Switch - 5498
H-161737	Insulating Pad - Carbon Brush - 5498
H-12227	Connectors - 5498
H-166545	+ Bulb Socket Comp. - 5498
H-166641 DL	+ Insulator Boot-Carbon Brush

# Original **HOOVER**

## POLISHER/SHAMPOOER

### Handle, Hood & Bail

Models 5300, 5308, 5308-01, 5471, 5477, 5479, 5480, 5488, 5488-01, 5498



#### ITEMS NOT ILLUSTRATED

KEY	PART NO.	DESCRIPTION
	H-27317307	Dirt Finder Lamp - 5498
	H-16125 AY	Capsert - 5498
	H-17252 *	Handle Rivet
	H-19461 +	Handle Cap
	H-162179 *	Screw - Lens - 5498
	H-166610 CP +	Lens - 5498

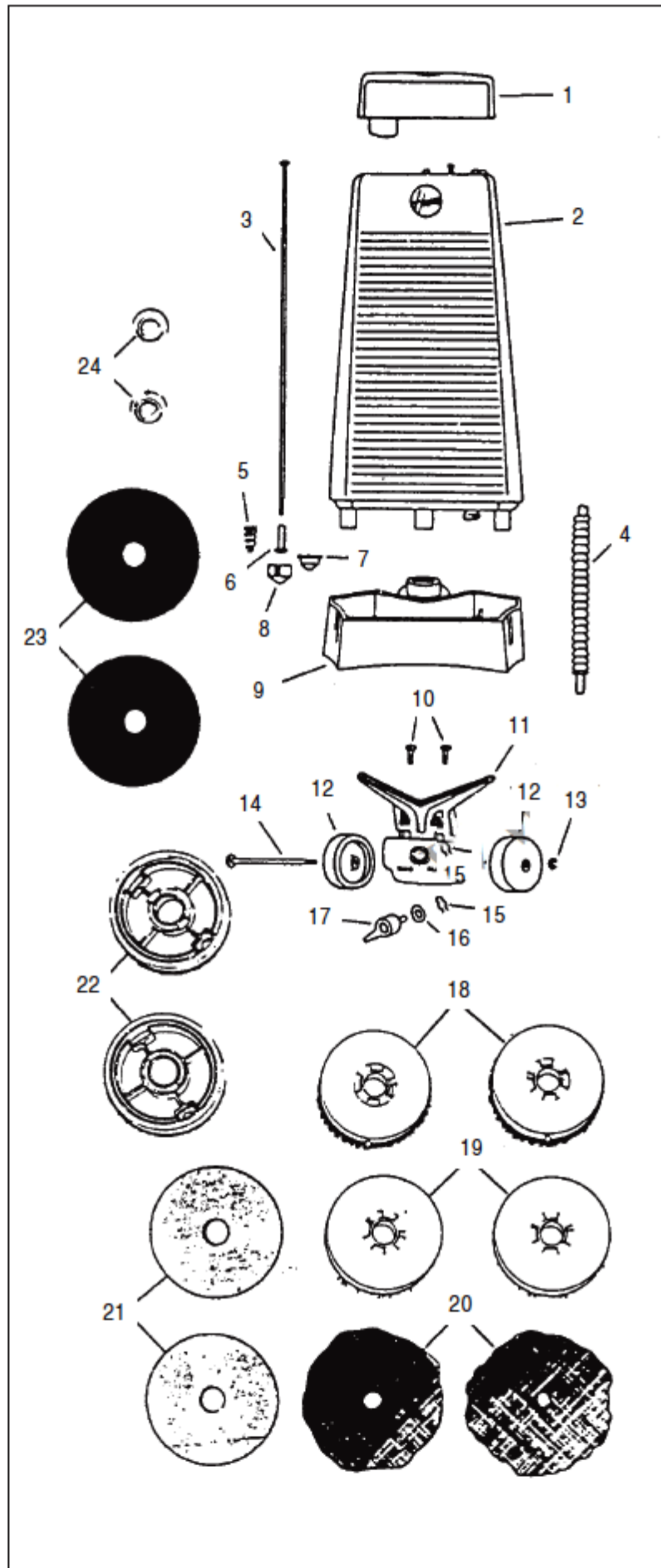
KEY	PART NO.	DESCRIPTION
1	H-19510 LL +	Handle & Cap w/Rivet 5300, 5471, 5477, 5479, 5480, 5488, 5498
	H-17378 JM	Handle Comp. - 5471, 5477
	H-17752 LL +	Handle Comp. - 5479
2	H-12910	Cord Clamp
3	H-48294 AW	Handle Bolt & Nut
4	H-17377 JM	Control Housing
5	H-21465314 *	Screw
6	H-17331	Control Lever Rod
7	H-162069 AY	Valve Rod Bracket
8	H-17251 +	Cap Detent Bracket
9	H-17942 *	Screw
10	H-18559 +	Tank Stop
11	H-17330 JM	Handle - Lower Half
12	H-165102 M	Bail Ass'y - 5308, 5308-01, 5480, 5488, 5488-01, 5498
	H-17348 JM	Bail
13	H-49433	Screw
14	H-1997248	Bail Arm Retainer
15	H-17342 RF +	Hood - 5471
	H-10432 KK +	Hood - 5479
	H-19942 BE +	Hood - 5477
	H-165978 DR +	Hood - 5300
	H-166701 DR +	Hood Comp. - 5498
	H-167017 CD +	Hood Comp. - 5308-01
	H-167017 DR +	Hood Comp. - 5308
	H-42271060	Hood Comp. - 5480, 5488
	H-166699 FN +	Hood Comp. - 5488-01
16	H-17293 DN +	Nameplate
17	H-47779	Hood Attachment Plate
18	H-44099 + *	Screw
19	H-49571 AV *	Rivet
20	H-17292 JM +	Furniture Guard
21	H-12738 *	Screw
22	H-49188 *	Screw
		Used on 5479 only
24	H-17772 HH +	Motor Cord
25	H-160356	Terminal
26	H-13743 A +	Control Knob
27	H-14863 *	Screw
28	H-14820 A +	Speed Control Box
29	H-14835 +	Indicator Plate
30	H-14821 +	Spacer
31	H-36935 +	Speed Control Unit
32	H-14839 LL +	Control Box - Bottom
33	H-163434	Pressure Pad
34	H-12226	Strain Relief Bushing
35	H-14865 *	Screw
36	H-17252 *	Rivet
37	H-162068	Control Rod - Threaded End
38	H-162069 AY	Valve Control Bracket
39	H-162067	Nut
40	H-12763 AW *	Rivet
41	H-161450 JM	Tank Cap Lock - 5308-01
	H-161450 DC +	Tank Cap Lock - 5488-01
	H-161450 DM +	Tank Cap Lock

# HOOVER Original

## POLISHER/SHAMPOOER

### Tank & Accessories

Models 5300, 5308, 5308-01, 5471, 5477,  
5479, 5480, 5486, 5488, 5488-01 5498



KEY	PART NO.	DESCRIPTION
1	H-17084 JM	Tank Cap
2	H-166665 BZ	Tank Comp.
3	H-19717	Valve Rod
4	H-17473	Distributor Hose
5	H-17314	Valve Spring
6	H-14341	Valve Rod End
7	H-15796	Tank Cap Liner
8	H-17326 JM	Valve Cap
9	H-17083 DD +	Tank Support
	H-17083 JM	Tank Support - 5300, 5308-01
	H-169421 FN +	Tank Support - 5488-01
10	H-12956	Screw
11	H-18853 DN	Wheel Carriage
	H-36432002	Wheel Carriage & Distributor -
		5308-01, 5488-01
12	H-32175003	Caster Wheel
	H-32175004	Caster Wheel- JJ -
		5308-01, 5488-01
13	H-13306	* Ring
14	H-35662 AY	Wheel Shaft
15	H-12979	* Ring
16	H-18249	+* Washer
17	H-17636	+ Valve Body
18	H-12932	Polishing/Scrubbing Brush
19	H-15636	+ Scrubbing Brush
20	H-18330	High Lustre Pads - Pair
21	H-18362	C. & W. Pads - Pair
22	H-15636	Rug Shampoo Brush - Pair
23	H-18361	Felt Buffing Pads - Pair
24	H-15844	Pad Fastener

#### ITEMS NOT ILLUSTRATED

H-18996	Steel Wool Pads - Pair
H-37911052	Plug - JM - 5308-01, 5488-01