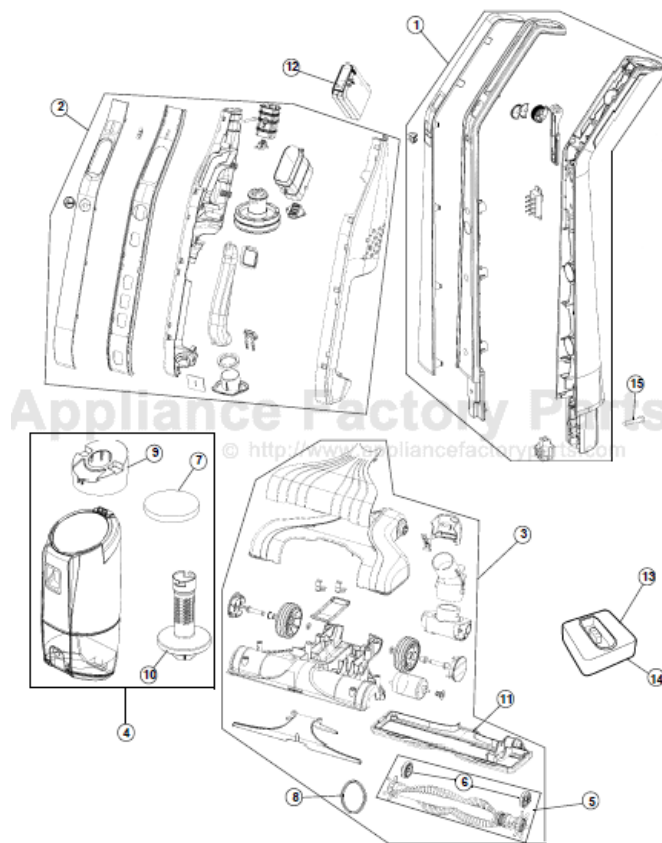


This Owner's Manual is provided and hosted by [Appliance Factory Parts](http://www.ApplianceFactoryParts.com).



# HOOVER BH50010 Owner's Manual

[Shop genuine replacement parts for HOOVER BH50010](#)



[Find Your HOOVER Vacuum Cleaner Parts - Select From 1455 Models](#)

----- Manual continues below -----



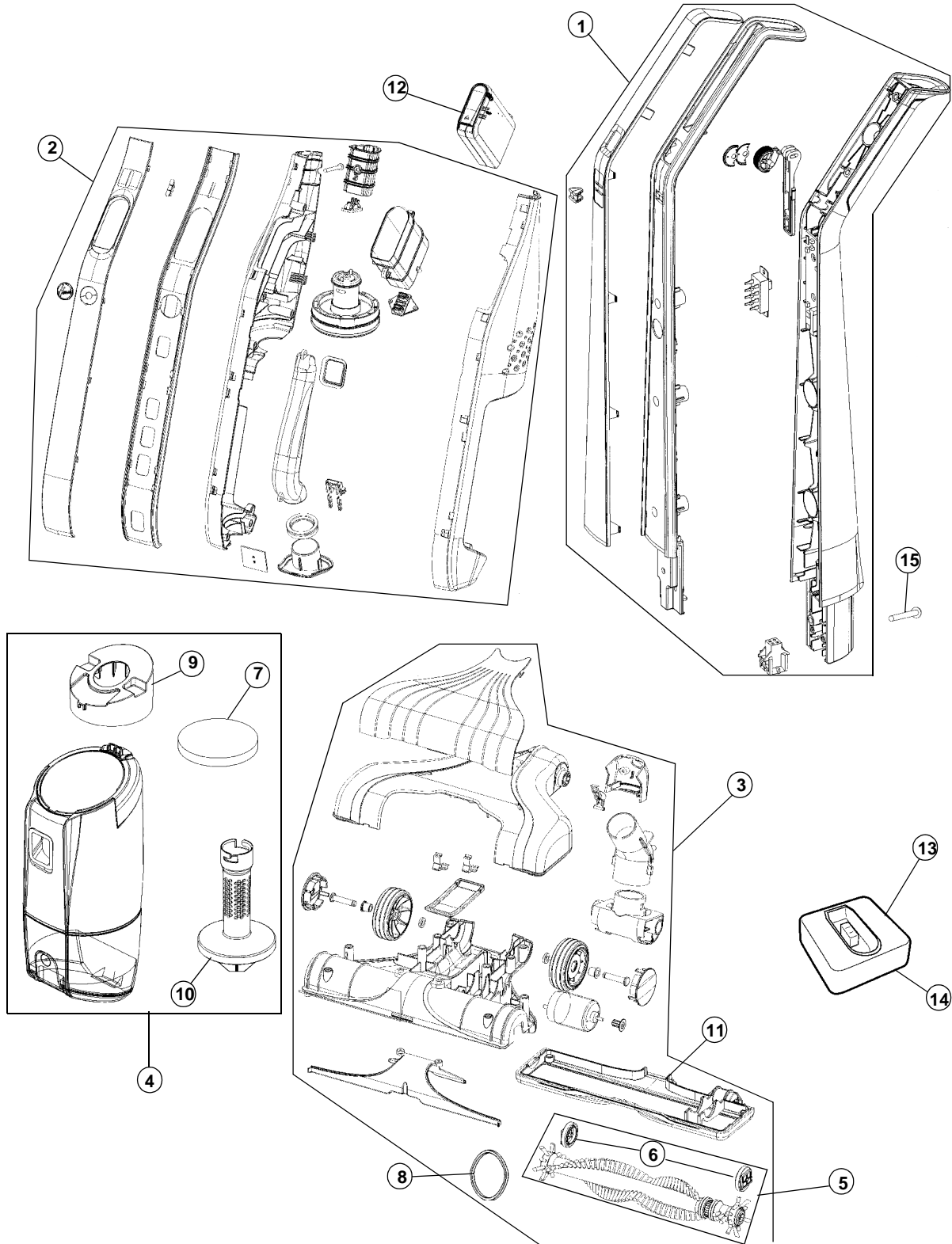
PLATINUM  
*Collection*

**LiNX™**  
**CORDLESS**  
**STICK VAC**

### ASSEMBLY SCHEMATIC

MODEL NO.

BH50010





PLATINUM  
*Collection*

**LiNX™**  
**CORDLESS**  
**STICK VAC**

**PART LISTING**

**BH50010**

ITEM	PART NUMBER	MODELS TO FIT	PART DESCRIPTION
1	302720001	BH50010	HANDLE ASSEMBLY
2	302721007	BH50010	MAIN HOUSING ASSEMBLY
3	000989001	BH50010	NOZZLE ASSEMBLY - REVISED
4	302725001	BH50010	DIRT CUP ASSEMBLY
5	302726001	BH50010	BRUSH ROLL ASSEMBLY - REVISED MFG 12/08
6	517675001	BH50010	END CAP
7	410044001	BH50010	FOAM FILTER - 1 LAYER
	001331007	BH50010	FOAM FILTER - 2 LAYER
8	001942002	BH50010	BELT
9	517657001	BH50010	FILTER CAP
10	517758001	BH50010	DIRT CUP BAFFLE
11	002080001	BH50010	NOZZLE GUARD ASSEMBLY WITH BRISTLES - REVISED MFG 12/08
12	302723001	BH50010	LITHIUM BATTERY PACK
13	302736001	BH50010	CHARGER ASSEMBLY
14	562220001	BH50010	RUBBER FOOT - CHARGER
15	661562003	BH50010	HANDLE SCREW
	661358001	BH50010	HANDLE SCREW - REVISED MFG 4/09
	001080011		BOTTOM PLATE SCREW - 7 PACK
**	001191011	BH50010	NOZZLE GUARD REPAIR KIT: NOZZLE GUARD ASSEMBLY - NEW VERSION WITH BRISTLES / BRUSH ROLL / BELT

**\*\* There was an issue with hair and debris getting caught up in the brush roll end caps. A revised nozzle guard was manufactured along with a new brush roll design. If there is an issue with the brush roll getting hair or debris binding, the Nozzle Guard Repair Kit should be used under warranty.**