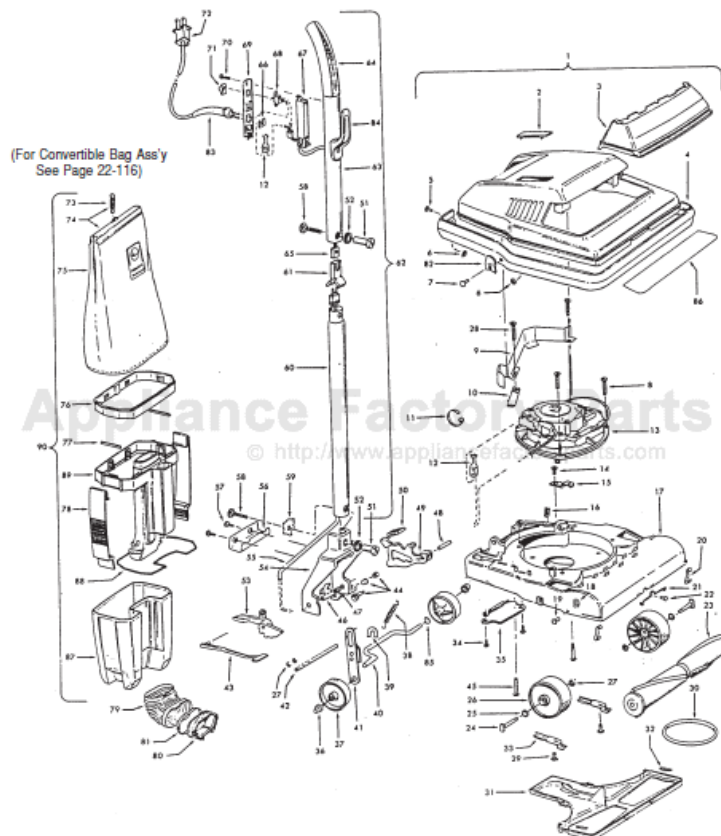


This Owner's Manual is provided and hosted by [Appliance Factory Parts](#).



HOOVER C1069 Owner's Manual

[Shop genuine replacement parts for HOOVER C1069](#)



[Find Your HOOVER Vacuum Cleaner Parts - Select From 1456 Models](#)

----- Manual continues below part list -----

Available Replacement Parts for HOOVER C1069

H-44783	BELT, ROUND, 1PK
H-4010001A	VACUUM BAG OEM HOOVER 3 PACK
H-43267002	AGITATOR BEARING ASM
H-49258	ROUND CONVERTIBLE/DECADE BELT FOR HOOVER

Original **HOOVER**

CONVERTIBLE & INDUSTRIAL CLEANER

Model C1069 Shown

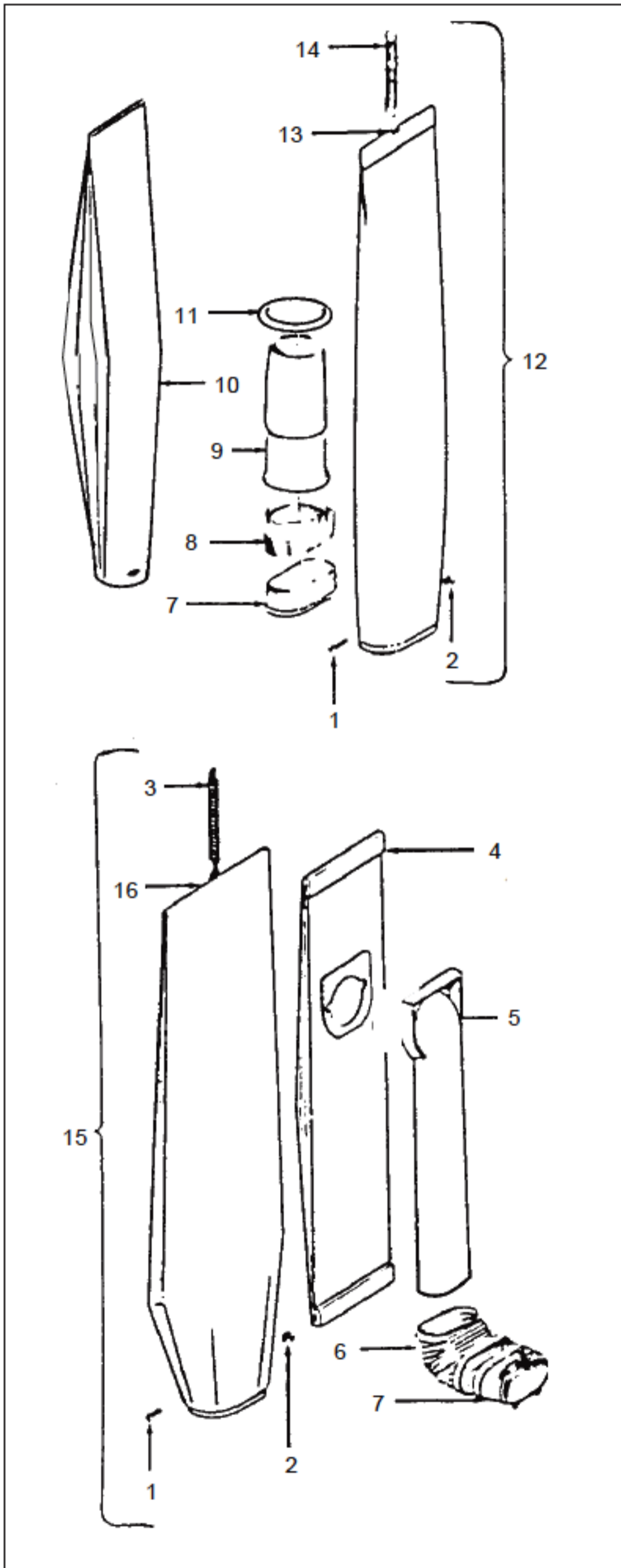
KEY	PART NO.	DESCRIPTION	KEY	PART NO.	DESCRIPTION
1	NLA	Hood C1069	49	H-43137036	Hdl. Control Lever - AG
	NLA	Full Hood Convertible White	50	H-38426080	Foot Pad - AG
2	H-39382004	Indicator Lens	51	H-32277021	Nut
3	NLA	Panel - LB	52	NLA	Washer (Metal)
4	H-36231031	Furniture Guard - LY		H-31323001	Washer (Plastic)
5	NLA	Rivet	53	H-38456044	Nozzle Adj. Lever - Plastic
6	NLA	Washer	54	H-41416030	Bail - (Used W/Round Handle)
7	H-21256134	Rivet	55	H-46321044	Connector Cord
8	NLA	Screw	56	NLA	Ball Grip
9	H-34287012	Baffle	57	NLA	Screw
10	NLA	Retainer	58	H-21631301	Handle Bolt
11	H-27479307	Wire Tie	59	H-35463011	Handle Plate Industrial
12	H-48969	Wire Nut		H-35463002	Handle Plate Convertible
13	H-43574128	Motor - 1 Spd. (See 22-115)	60	NLA	Lower Handle - AX
14	NLA	Screw	61	H-36913007	Insulator
15	NLA	Pin Retainer	62	H-48644043	Handle Comp. - AX
16	H-12559 FW	Spring	63	H-48644041	Upper Handle - AX
17	NLA	Base Industrial	64	H-23458 LY	Handle Grip
	H-42242064	Base Small Hood Style Convertible	65	H-47155005	Connector Cord
	H-42242267	Base Full Hood Style Convertible	66	H-34253011 *	Retainer
18	H-21312781	Washer	67	H-37215070	Switch Case
19	NLA *	Rivet	68	H-281170KD	Switch Slide Type
20	H-34784021	Retainer Spring		NLA	Switch Toggle Type
21	H-12138 FW	Spring	69	H-37258109	Switch Cover - LY
		(Use w/Metal Bottom Plate)		H-27479307	Wire Tie
22	NLA *	Rivet (Use w/Metal Bottom Plate)	70	H-21465314 *	Screw
23	H-48414021 **	Brushroll 2 Row W/O Beater Bars	71	H-38421012	Switch Button - AG
24	H-47457 FW	Wheel Shaft	72	H-46383137	Cord 35' Industrial
25	NLA	Washer	72	H-46383238	Cord 20' Round Handle Conv.
26	H-34791 AG	Wheel Industrial & Early Convertible	72	H-46383227	Cord 20' Square Handle Conv.
	NLA	Wheel Narrow Late Convertible	73	H-38335009	Spring
27	NLA	Lock Ring	74	H-41424028	Bag Clip & Spring
28	NLA	Screw	75	H-43667028	Cloth Bag Closed Top
29	NLA	Screw	76	H-35173001	Bag Expander
30	H-44783 AG	Belt	77	H-34112009	Seal
31	H-42246062	Bottom Plate (Metal) Small Fin	78	H-36155011	Latch - AG
	H-42246038	Bottom Plate (Metal) Large Fin	79	H-38673001	Bellows
	H-37245081	Bottom Plate (Plastic)	80	H-41424011	Bag Ring
32	H-34111001	Support Pad	81	H-49044	Clamp
		(Use w/Metal Bottom Plate)		H-17206 *	Screw
33	H-36153006	Bottom Plate Latch		H-15854 EF *	Nut
34	NLA	Screw	82	H-36951004	Retainer
35	H-35434040	Axle Retainer	83	H-36216002	Cord Protector
36	H-32182001 *	Lock Ring	84	H-39441015	Cord Clip - LY
37	H-38521041	Wheel Industrial & Early Convertible	85	H-21312772 *	Washer
	H-38521016	Wheel Late Convertible	86	NLA	Nameplate
38	NLA	Spring	87	H-38775001	Dust Cup - KC
39	H-34252005 *	Yoke	88	H-34123020	Gasket
40	H-33152003	Wheel Shaft	89	H-41427006	Support & Bellows
41	H-43263003	Cam Follower Industrial	90	H-43675031	Dust Cup Ass'y
41	H-43263005	Cam Follower Convertible			
41	NLA	Cam Follower Convertible			
42	NLA	Bail Shaft			
43	H-51151034	Indicator			
44	H-11735	Roller Detent			
45	H-21447020 *	Screw			
46	H-36153034	Bag Flange Lever			
47	NLA	Spring			
48	NLA	Pivot Pin			

** For standard convertible uprights H-48414021 brushroll replaces the original brushroll, but does not have built in beater bars. Also order H-35366 end cap spring.

HOOVER

Original

CONVERTIBLE



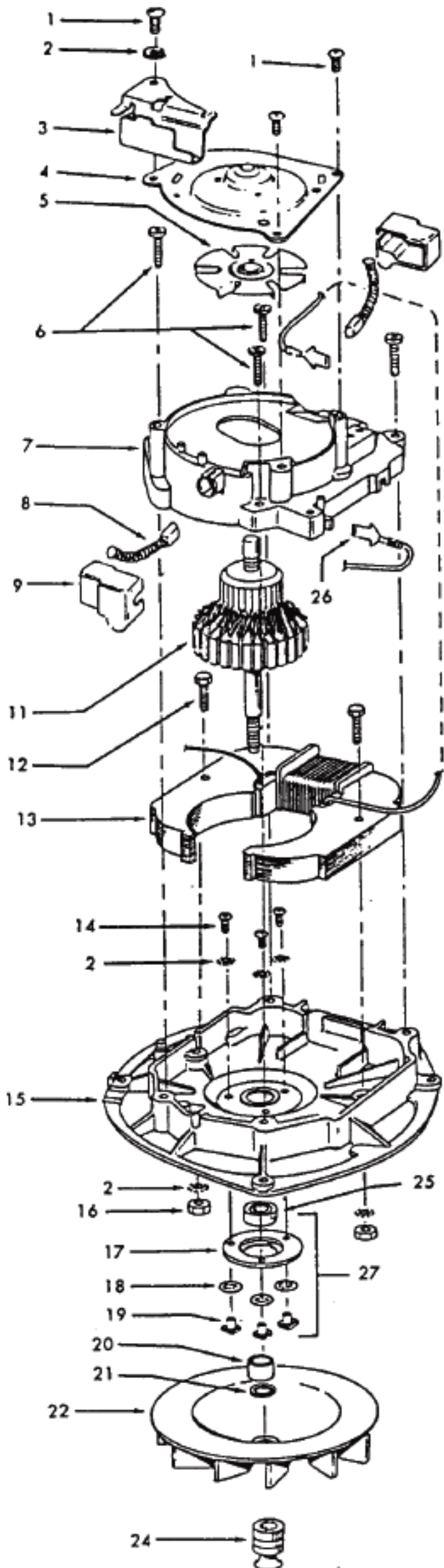
KEY	PART NO.	DESCRIPTION
1	H-17206	Screw
2	H-15854	Nut
3	H-44475	Jacket Support Spring
4	H-4010001A	Throw Away Bag (3 Pk.)
5	H-38657004	Top Fill Tube (Push on Type)
6	H-38673001	Bellows
7	H-41424011	Bag Ring & Gasket
8	H-11064 JM	Bellow
9	H-161889	Bag Support Tube
10	H-4010003C	Throw Away Bag (4 Pk.)
11	H-46550	Bag Retainer
12	NLA	Outer Bag Comp. - Bottom Fill
13	H-43677321	Outer Bag Jacket - Bottom Fill
14	H-38335006	Jacket Support Spring
15	NLA	Outer Bag Comp. - Top Fill
16	NLA	Outer Bag Jacket - Top Fill

NLA = No Longer Available

Original **HOOVER** CONVERTIBLE & INDUSTRIAL CLEANER

Motor H-43574128
1-Speed w/Guide

Motor H-43574130
1-Speed w/o Guide



KEY	PART NO.	DESCRIPTION
1	H-45533 AZ	* Screw
2	H-14062	* Washer
3	H-41961009	Indicator Guide
4	H-42934002	Upper Bearing
5	H-38755004	Vent Fan
6	H-161535	* Screw
7	H-19857	Upper Motor Casing
8	H-47318012	Carbon Brush
9	H-36315003	Brush Insulator
11	H-44765085	Armature Convertible
11	NLA	Armature Industrial
12	H-45118	* Bolt
13	H-45412015	Field Coil
14	H-44779 AV	* Screw
15	H-42192024	Lower Motor Case
16	H-15673	* Nut
17	H-32184003	Retainer
18	H-19772	* Washer
19	H-45251	Nut
20	H-31731002	Spacer
21	H-166563	* Washer
22	H-38755010	Fan - Poly
22	H-22556	Fan - Die Cast
	H-38532009	Motor Pulley Convertible
24	H-43251003	Motor Pulley Industrial
25	H-24152808	Bearing
26	H-14320	* Terminal
27	H-43267006	Bearing Kit 3 Hole
	H-19829	Bearing Kit 4 Hole (Not Shown)

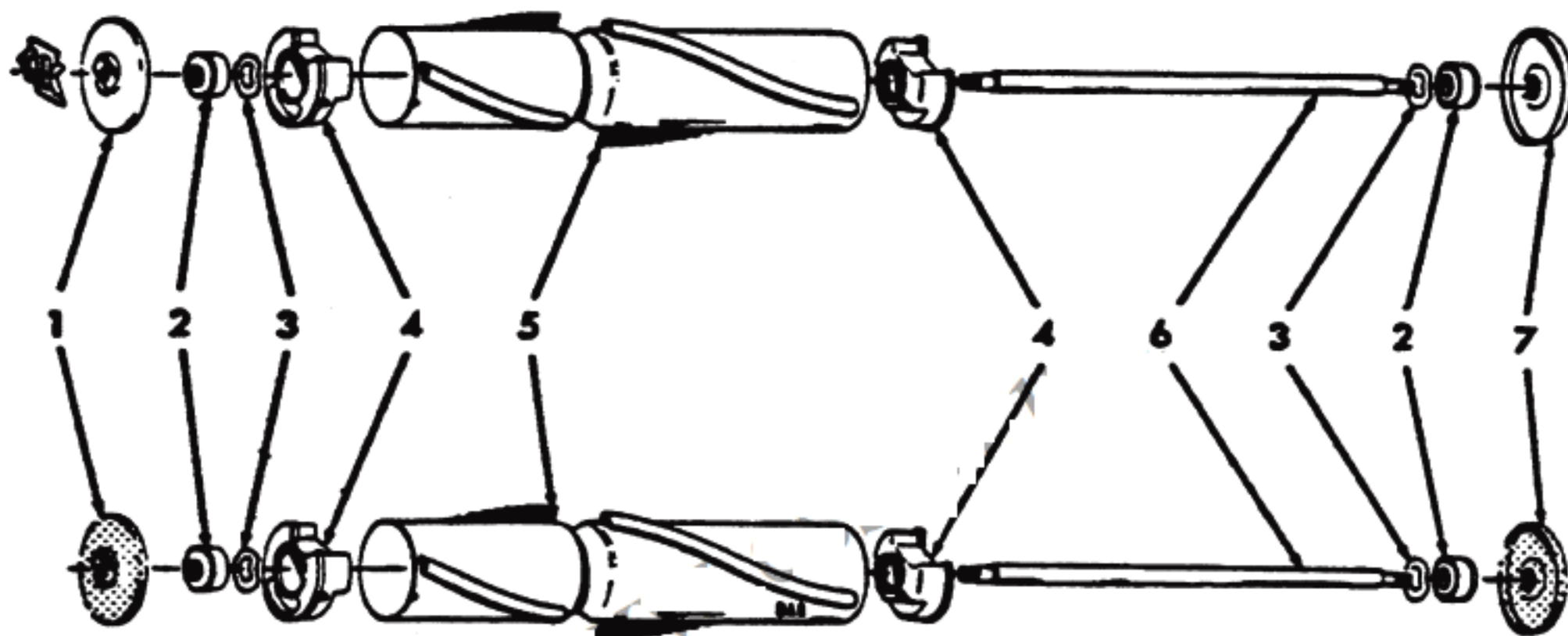
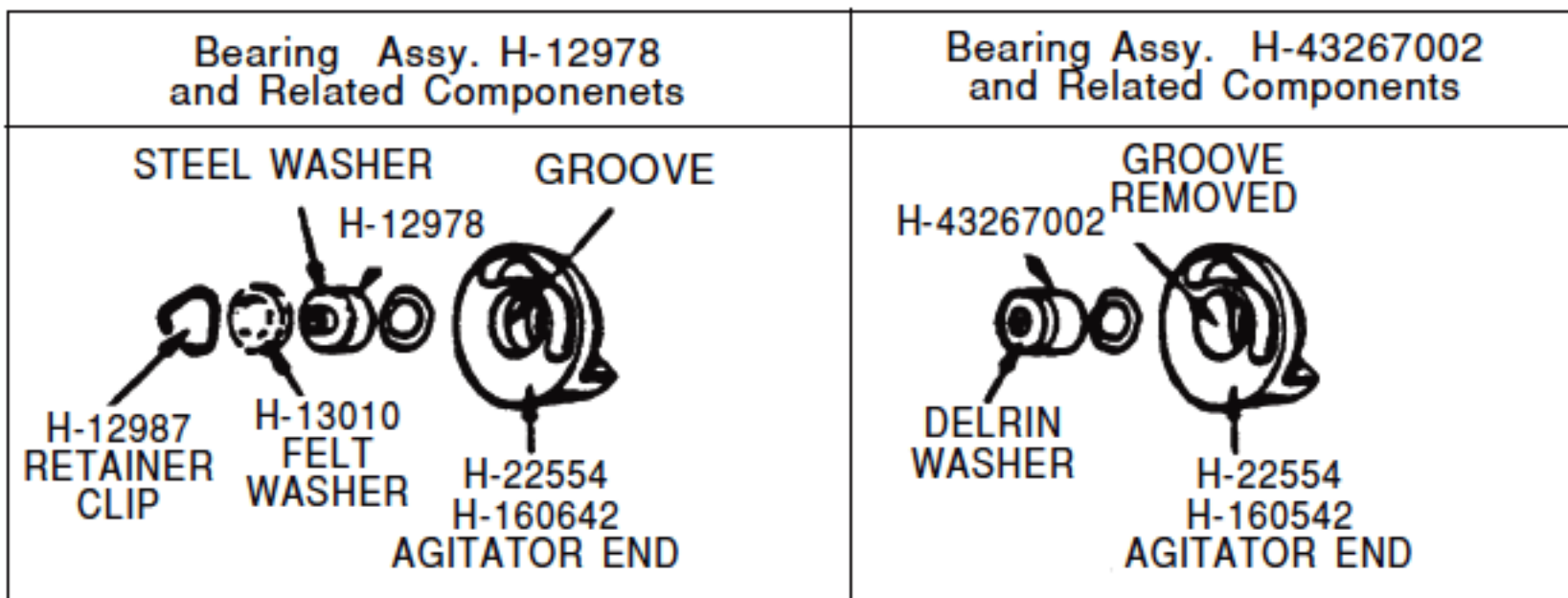
ITEMS NOT ILLUSTRATED

- H-35276006 Indicator Guide Spring
- H-31162004 Washer Heat Insulating
Between Pulley & Fan Conv.

NLA = No Longer Available

Original **HOOVER**

CONVERTIBLE & INDUSTRIAL CLEANERS



KEY	PART NO.	DESCRIPTION
1	H-49180	Thread Guard & Spring (Metal)
	NLA	+ Thread Guard L.H. (Molded)
2	H-43267002	Bearing
3	H-21347003	* Washer
4	NLA	Agitator End (Early Model Standard Performance Cleaners, L.H. Helix)
4	H-160542	Agitator End (Standard & High Performance Cleaners, R.H. Helix)
4	H-41435070	Agitator End (Use w/two brush Agitator Pt. #48414021)
5	NLA	Agitator Brush-8 mil (Early Model Standard Performance Cleaners, L.H. Helix)
5	H-160646 BZ	Agitator Brush-8 mil (Standard Performance Cleaners, R.H. Helix)
5	H-48445001	Agitator Brush-11 mil (High Performance Cleaners, R.H. Helix)
6	NLA	+ Agitator Shaft (Used w/metal thread guards)
6	H-32724008	Agitator Shaft (Used w/Molded thread guards)
7	H-12985 AY	Thread Guard R.H. (Metal)
	NLA	Thread Guard R.H. (Molded)

KEY	PART NO.	DESCRIPTION
AGITATOR ASSEMBLY		
	NLA	+ Standard Performance, R.H. Helix (Metal Thread Guards)
	NLA	High Performance Cleaners, R.H. Helix (Molded Thread Guards)
	NLA	+ Standard Performance, R.H. Helix (Molded Thread Guards)

KEY	PART NO.	DESCRIPTION
FOUR BRUSH AGITATOR ASSEMBLY		
	NLA	Heavy Duty Commercial (Use 47159 Brush - Long, 47160 Brush - Short arod 46875 Sems Fastener)
	H-48414003	Lightweight Commercial (Use 160646BZ Brush and 36422003 Agitator End)

KEY	PART NO.	DESCRIPTION
TWO BRUSH W/O BEATER BAR		
	H-48414021	Agitator (Molded Thread Guards)

AGITATOR BELT		
	H-49258	Domestic Models, Convertible/Decade 80/Heavy Duty
	H-44783	Commercials Lightweight Commercials