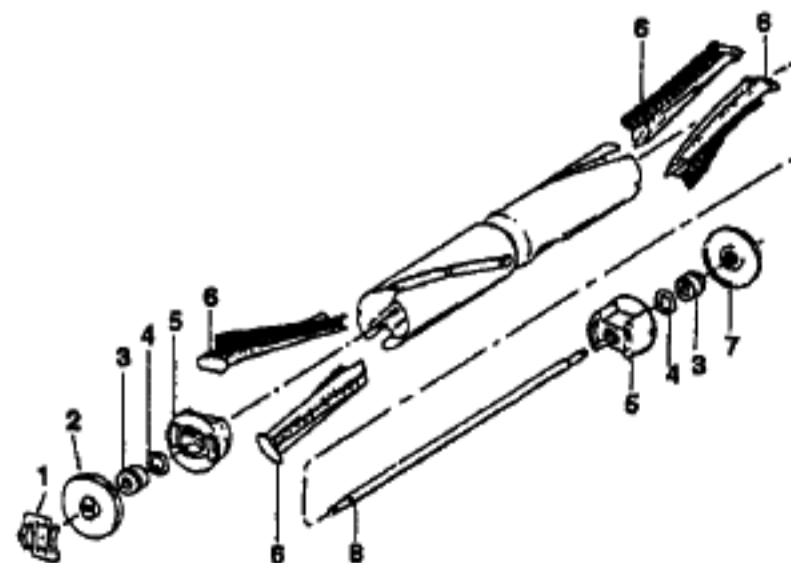


Ref. No.	Part No.	Description
1	42251175	Hood - LB
2	48111008	Indicator Lens
3	37246041	Lens - LB
4	36231031	Furniture Guard - LY
5	N/A	* Rivet
6	N/A	* Washer
7	21256134	* Rivet
8	15738EF	*+ Screw
9	34287012	Baffle
10	34312011	* Retainer
11	27479307	Wire Tie
12	48969	* Wire Nut
13	43574103	Motor - 1 Spd. - (P - 149)
14	21447229	* Screw
15	34665007	Pin Retainer
16	12559FW	Spring
17	42242219	Main Body - AG - Plastic
18	21312781	* Washer
19	48422	* Rivet (Use 2 w/47260; Use 1 w/ 21312781)
20	34784021	Retainer Spring
21	12138FW	Spring (Use w/Metal Bottom Plate)
22	N/A	* Rivet (Use w/Metal Bottom Plate)
23	48414003	Agitator - 4B
24	47457AY	Wheel Shaft
25	21312724	* Washer
26	34791AG	Carrier Wheel
27	13730	* Lock Ring
28	21447211	*+ Screw
29	12954	* Screw
30	44783AG	Belt
31	42246062	Bottom Plate (Metal)
	37245081	Bottom Plate - AG
32	34111001	* Support Pad (Use w/Metal Bottom Plate)
33	36153006	Bottom Plate Latch
34	21479347	* Screw
35	35434040	Axle Retainer
36	32182001	* Lock Ring
37	38521041	Rear Wheel - AG
38	161513	Spring
39	34252005	* Yoke
40	33152003	Wheel Shaft
41	43263003	Cam Follower
42	161509AY	Bail Shaft
43	51151034	Indicator
44	11735	Roller Detent
45	21447020	* Screw
46	19907	Bag Flange Lever
47	N/A	Spring
48	47450AY	Pivot Pin
49	43137047	Hdl. Control Lever - AG

Ref. No.	Part No.	Description
50	38426080	Foot Pad - AG
51	32277021	Nut
52	13704	* Washer (Metal)
	31323001	Washer (Plastic)
53	38456044	Nozzle Adj. Lever - AG - Plastic
54	41416038	+ Bail - AG
55	46321033	Connector Cord
56	34192	Bail Grip
57	21481752	Handle Bolt
59	35463011	Handle Plate
60	32284018	Lower Handle - AX
61	36913007	Insulator
62	48644043	Handle Comp. - AX
63	48644041	Upper Handle - AX
64	23458LY	Handle Grip
65	47155005	Connector Cord
66	34253010	* Retainer
67	37214070	Switch Case
68	281770KD	Switch
69	37258110	Switch Cover - AG
	N/A	Wire Tie
70	21465314	* Screw
71	38421012	Switch Button - AG
72	46323061	Attach. Cord - HP - 50
73	38335009	Spring
74	41128021	Bag Clip & Spring
75	43674055	Cloth Bag - HP
76	35173001	Bag Expander
77	34112015	Seal
78	36155011	Latch - AG
79	38673001	Bellows
80	41424011	Bag Ring
81	49044	Clamp
	17206	* Screw
	15854EF	* Nut
82	36951004	Retainer
83	36216002	Cord Protector
84	39441016	Cord Clip - AG
85	21312772	* Washer
86	52115121	Nameplate
87	38775001	Dust Cup
88	34123020	Gasket
89	41427006	Support & Bellows
90	27313101	Lamp
91	47176002	Lamp Socket
92	21447003	Screw
93	36912005	Socket Holder
	56711050	+ Operating Instructions

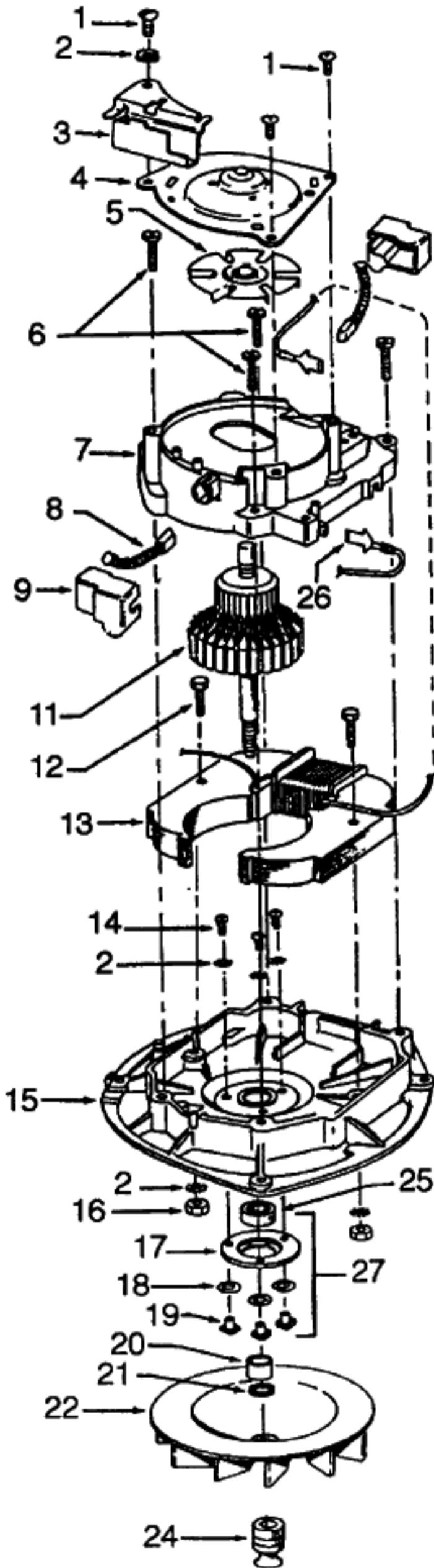
Agitator 41434003

Ref. No.	Part No.	Description
1	35366	Thrust Spring
2	48495AY	Thread Guard
3	43267002	Bearing
4	21347003	Washer
5	36422003	End
6	160646BZ	Agitator Brush
7	N/A	Thread Guard
8	32724008	Shaft



Motor

**Models C1065, C1067, C1069, C1085, C1401
C1405, C1425, C1429, U7021, U7063, U7077, U7079**



**Motor #43574192
1-Speed w/Guide**

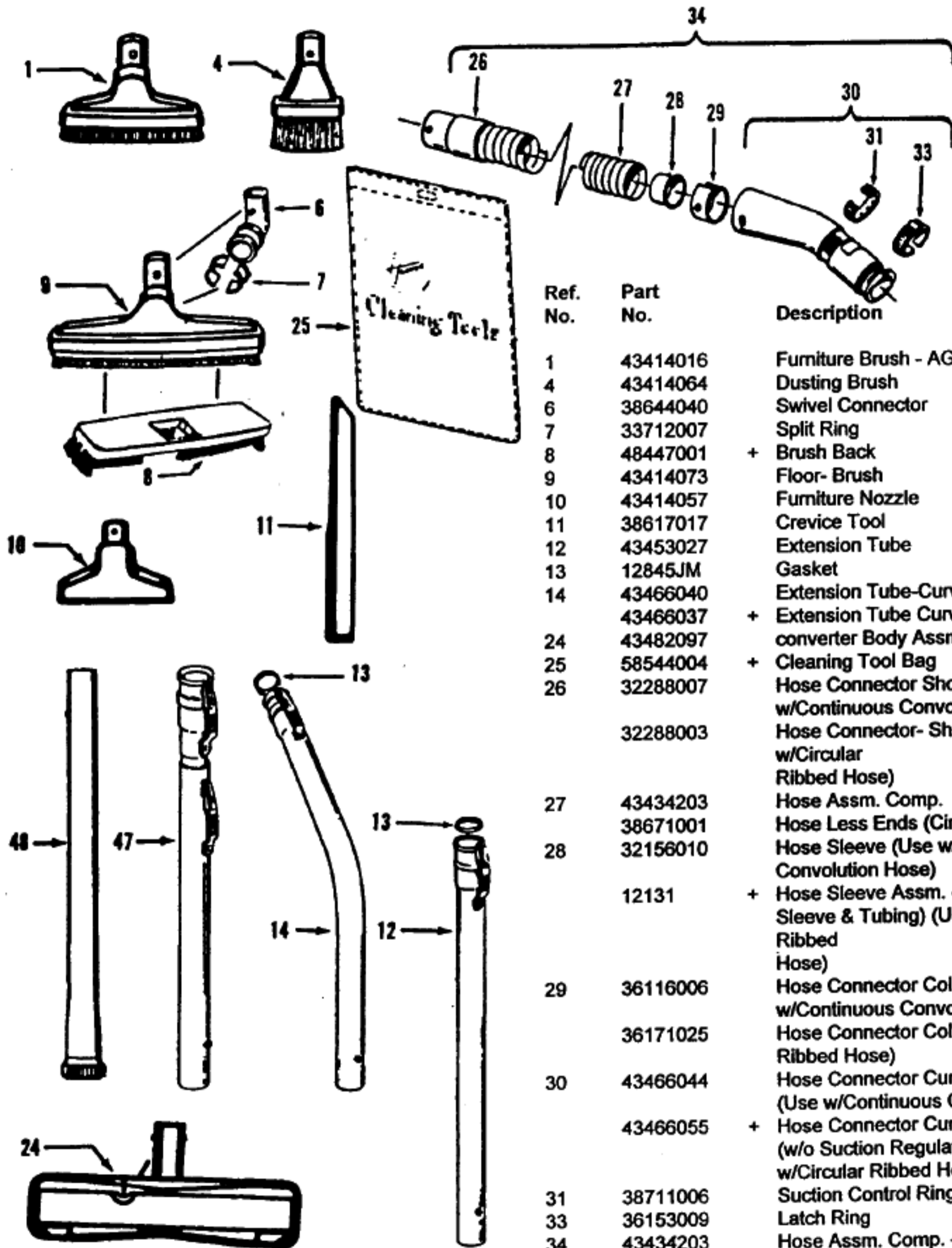
**Motor #43574193
1-Speed w/o Guide**

Ref. No.	Part No.	Description
1	45533AY	* Screw
2	14062	* Washer
3	41961009	Indicator Guide
4	42934002	Upper Bearing
5	38755004	Vent Fan
6	161535	* Screw
7	19857	+ Upper Motor Casing
8	47318012	Carbon Brush
9	36315003	Brush Insulator
11	44768051	Armature
12	45118	* Bolt
13	45412015	Field Coil
14	21772501	* Screw
15	42193006	Lower Motor Case
16	15673	* Nut
17	32184003	Retainer
18	19772	* Washer
19	45251	Nut
20	31731002	Spacer
21	166563	* Washer
22	38755011	Fan - Poly
24	43251003	Motor Pulley
25	24152807	Bearing
26	14320	* Terminal
27	43267006	Bearing Kit

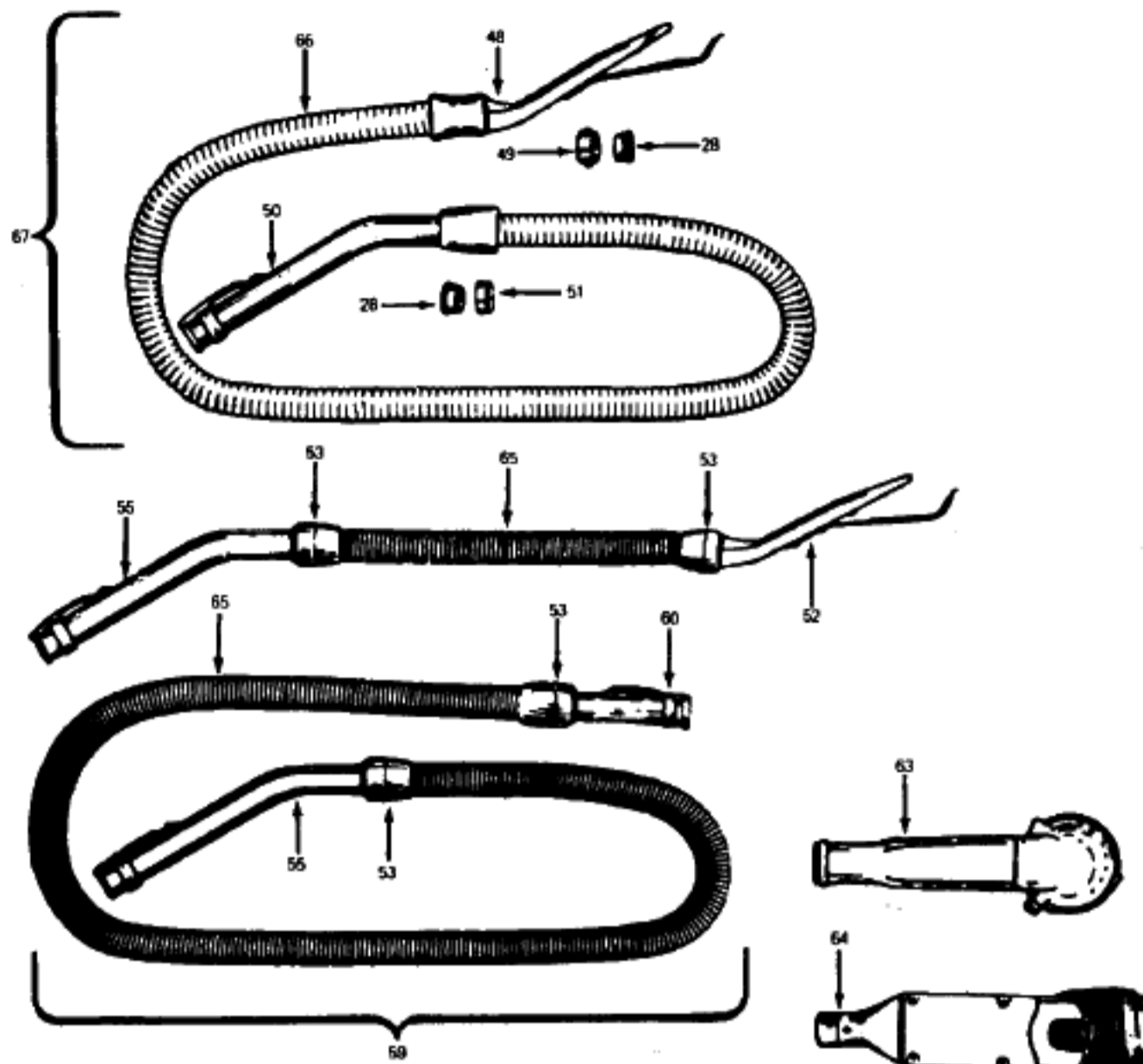
ITEMS NOT ILLUSTRATED

35276006 Indicator Guide Spring

Cleaning Tools



Ref. No.	Part No.	Description
1	43414016	Furniture Brush - AG
4	43414064	Dusting Brush
6	38644040	Swivel Connector
7	33712007	Split Ring
8	48447001	+ Brush Back
9	43414073	Floor- Brush
10	43414057	Furniture Nozzle
11	38617017	Crevice Tool
12	43453027	Extension Tube
13	12845JM	Gasket
14	43466040	Extension Tube-Curved - 17
	43466037	+ Extension Tube Curved - 22
24	43482097	converter Body Assm.
25	58544004	+ Cleaning Tool Bag
26	32288007	Hose Connector Short (Use w/Continuous Convolution Hose)
	32288003	Hose Connector- Short (Use w/Circular Ribbed Hose)
27	43434203	Hose Assm. Comp.
	38671001	Hose Less Ends (Circular- Ribbed)
28	32156010	Hose Sleeve (Use w/Continuous Convolution Hose)
	12131	+ Hose Sleeve Assm. (Includes Hose Sleeve & Tubing) (Use w/Circular Ribbed Hose)
29	36116006	Hose Connector Collar (Use w/Continuous Convolution Hose)
	36171025	Hose Connector Collar (Use w/Circular Ribbed Hose)
30	43466044	Hose Connector Curved w/Rings AAP (Use w/Continuous Convolution Hose)
	43466055	+ Hose Connector Curved w/Latch Ring (w/o Suction Regulator) (Use w/Circular Ribbed Hose)
31	38711006	Suction Control Ring
33	36153009	Latch Ring
34	43434203	Hose Assm. Comp. - Front Conversion (Continuous Convolution)(w/o Suction Regulator)
	43434209	Hose Assm. Comp. - Front Conversion Circular Ribbed w/o Suction Regulator
47	43458001	Extension Tube
48	3863801P	Extension Tube - Poly - AG



Ref. No.	Part No.	Description
28	32156010	Sleeve
48	13147JM	+ Converter
49	12615BZ	Hose Converter Collar
50	43468018	Hose Tube Curved
51	12704BZ	Hose Grip Collar
52	23473JM	+ Converter
53	23393JM	Hose Grip
55	13143	Hose Tube Curved
59	22671JM	+ Hose Comp. - Ultraflex (Commercial) (Use w/Converter 34202 or 35190)
60	34355	+ Hose End Short
63	35190	Converter (Use w/Hose 22671)

Ref. No.	Part No.	Description
64	34202JM	+ Converter (Use w/Hose 22671)
65	48617 JM	+ Hose Less Ends
66	43434213	Hose Less Ends
67	12864JM	+ Hose Assm. Comp.- Tufflex (Standard Rear Conversion)

ITEMS NOT ILLUSTRATED

169460JM	+ Ultraflex Hose - 50' length
43431011	+ Tufflex Hose - 50' length