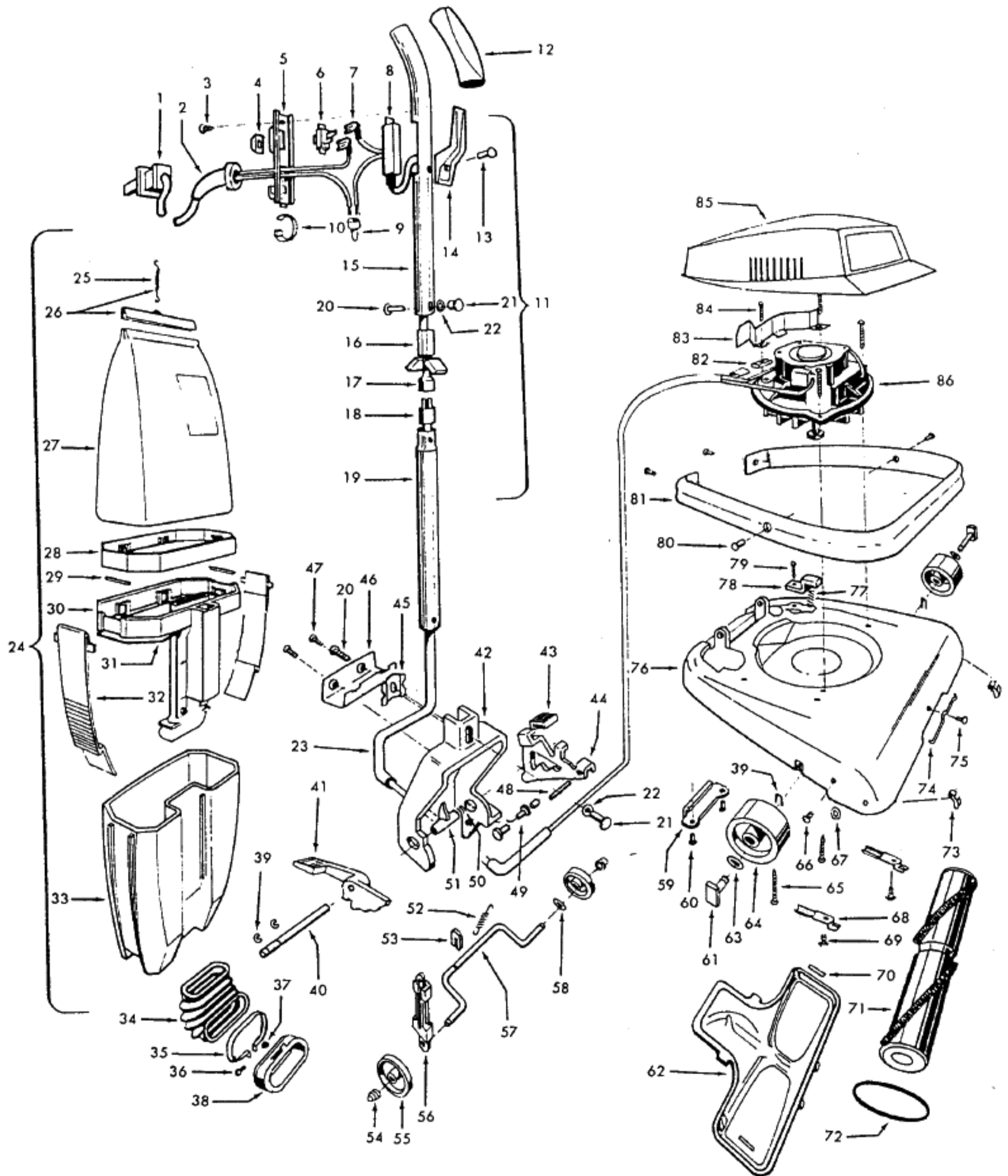




## Available Replacement Parts for HOOVER C1111

<a href="#">H-43267002</a>	AGITATOR BEARING ASM
<a href="#">H-43414073</a>	Floor brush.
<a href="#">H-43414064</a>	DUSTING BRUSH (ONE PEICE)
<a href="#">HR-5000</a>	EXTENSION TUBE

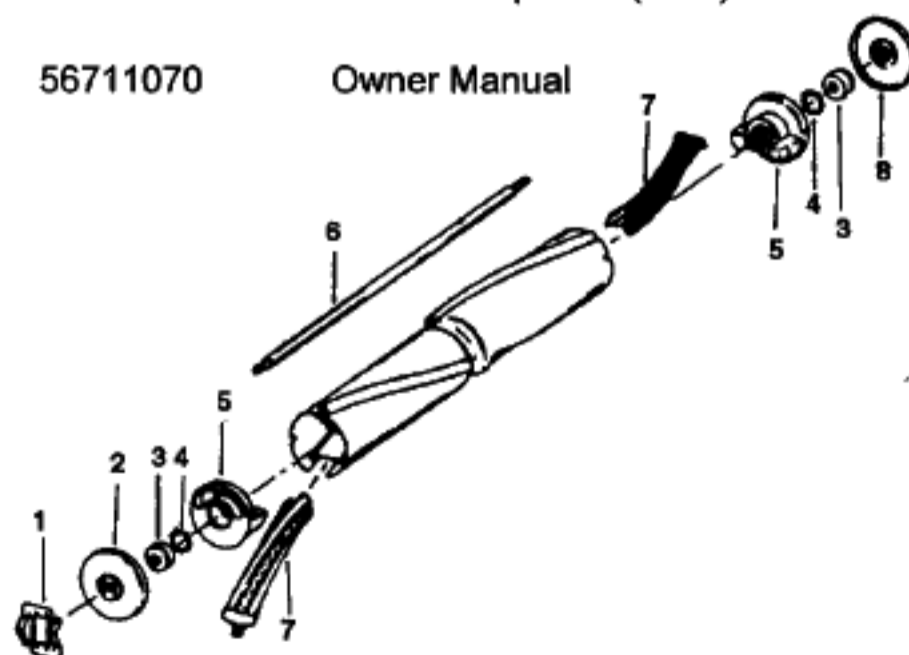


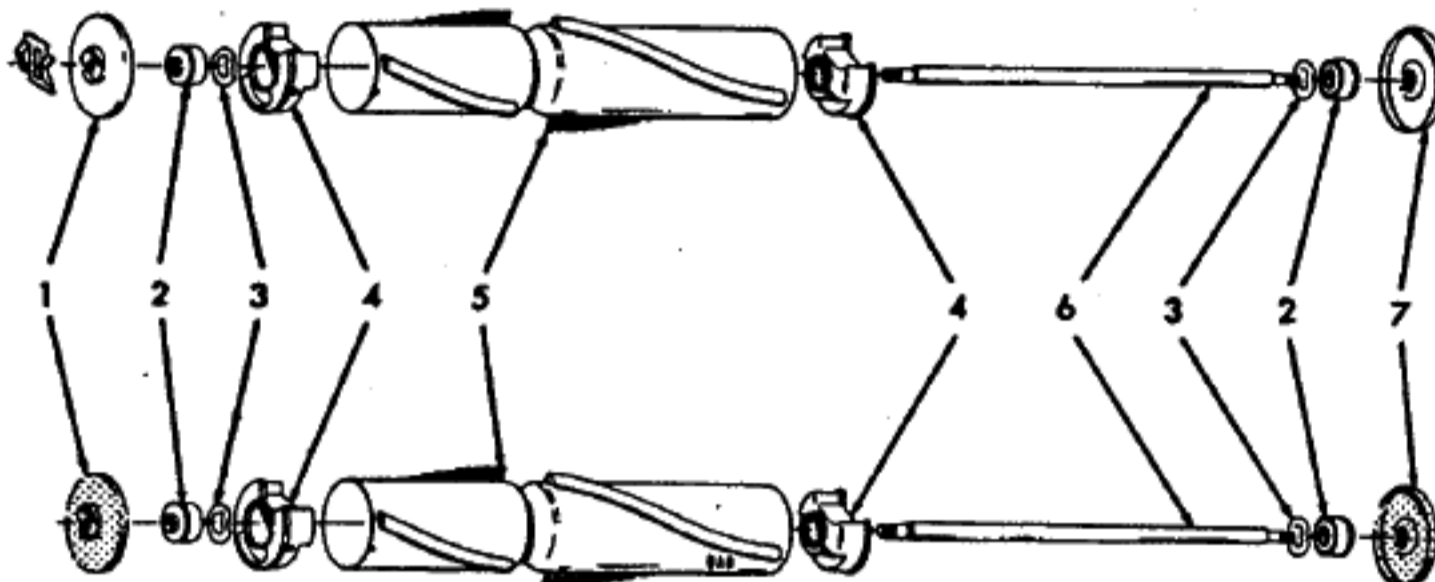
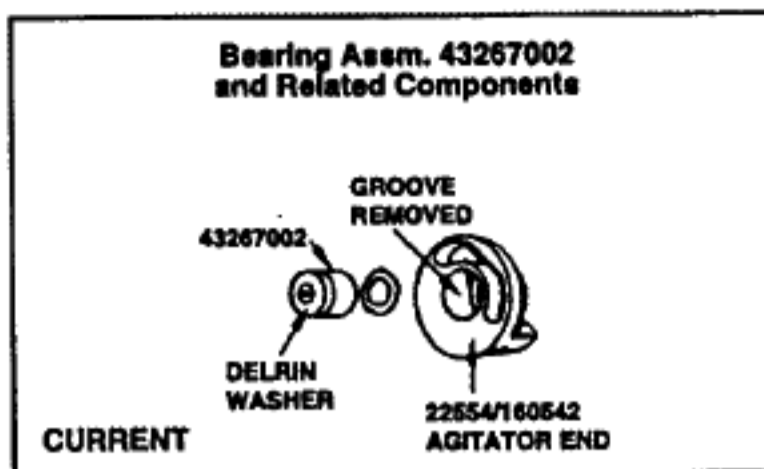
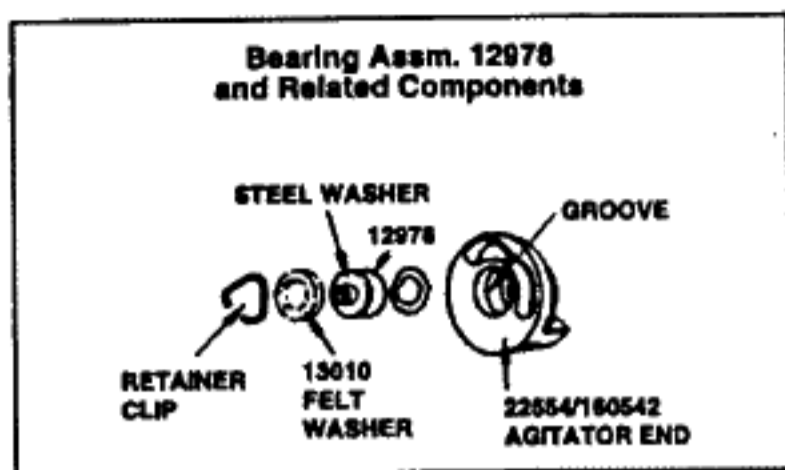
Ref. No.	Part No.	Description
1	46383137	Cord - HP - 35
2	36216002	Cord Protector - AG
3	21465314	* Screw
4	38421012	Switch Button - AG
5	37258110	Switch Cover - AG
6	281770KD	Switch
7	27666702	* Terminal
8	37214070	Switch Case
9	48969	* Wire Nut
10	27479307	* Cable Tie
11	48644043	Handle Comp. - AX
12	23458JM	Handle Grip
13	21256094	* Rivet
14	39441016	Cord Clip - AG
15	48644041	Upper Handle - AX
16	36913007	Insulator
17	47155005	Connector Cord
18	46321033	Connector Cord & Tubing
19	32284018	Lower Handle - AX
20	21631301	Handle Bolt
21	32277021	Nut
22	12704BZ	* Washer
23	31728022	Tubing
24	43675031	Dust Cup Assm. - HP
25	38335009	Spring
26	41128021	Bag Clip & Spring
27	43667040	Cloth Bag - HP
28	35173001	Bag Expander
29	34112015	Seal
30	41427006	Support & Bellows
31	34123020	Gasket
32	36155011	Latch - AG
33	38775001	Dust Cup
34	38673001	Bellows - AG
35	49044	Clamp
36	17206	* Screw
37	15854EF	* Nut
38	41424011	Bag Flange
39	13730	* Lock Ring
40	161509AY	Bail Shaft
41	38452051	Nozzle Adj. Lever - AG
42	41416038	+ Bail - AG
43	38426080	Foot Pad - AG
44	43137047	Handle Control Lever - AG

Ref. No.	Part No.	Description
45	35463011	Handle Plate
46	34192	Bail Grip
47	21481752	* Screw
48	47450AY	Pivot Pin
49	11735	Roller Kit
50	48409FW	Spring
51	19907	Bag Flange Lever
52	161513	Spring
53	34252005	* Yoke
54	32182001	* Wheel Retainer
55	38521041	Rear Wheel - AG
56	43263003	Cam Follower
57	33152003	Wheel Shaft
58	21312772	* Washer
59	35434040	Axle Retainer
60	21479347	* Screw
61	47457AY	Wheel Shaft
62	42246062	Bottom Plate
63	21312724	* Washer
64	34791AG	Carrier Wheel
65	21447020	* Screw
66	48422	* Rivet
67	21312781	* Washer
68	36153006	Latch
69	21479431	Screw
70	34111001	* Support Pad
71	41435005	Agitator - 2B
72	44783AG	Belt
73	34784021	Retainer Spring
74	12138FW	Spring
75	12503EF	* Rivet
76	42242250	Main Body - JM
77	12559FW	Spring
78	34665007	Pin Retainer
79	17001FW	* Screw
80	32242004	* Rivet
81	36231036	Furniture Guard - LY
82	41119009	Retainer & Sleeve
83	35437010	Baffle
84	21447211	* Screw
85	167364JM	Hood
86	43574193	Motor - 1 Speed - (P-22)
	56711070	Owner Manual

**Agitator 41435005**

Ref. No.	Part No.	Description
1	35366	Thrust Spring
2	48495AY	Thread Guard - LH
3	43267002	Bearing
4	21347003	* Washer
5	160542	End
6	32724008	Shaft
7	48445001	Agitator Brush
8	12985AY	Thread Guard - RH





Ref. No.	Part No.	Description
1	49180	Thread Guard & Spring (Metal)
	36423003	+ Thread Guard L.H. (Molded)
2	43267002	Bearing
3	21347003	* Thrust Washer
4	22554	Agitator End (Early Model Standard Performance Cleaners, L.H. Helix)
	160542	Agitator End (Standard & High Performance Cleaners, R.H. Helix)
	41435070	Agitator End (Use w/two brush agitator Pt. #48414021)
5	12998BZ	Agitator Brush - 8 mil (Early Model Standard Performance Cleaners, L.H. Helix)
	160646BZ	Agitator Brush - 8 mil (Standard Performance Cleaners, R.H. Helix)
	48445001	Agitator Brush - 11 mil (High Performance Cleaners, R.H. Helix)
6	12981	+ Agitator Shaft (Used w/metal thread guards)
	32724008	Agitator Shaft (Used w/molded thread guards)
7	12985AY	Thread Guard R H. (Metal)
	36423007	+ Thread Guard R.H. (Molded)

AGITATOR BELT	
49258AG	Domestic models, Convertible/Decade 80/Heavy Duty Commercials
44783AG	Lightweight Commercials

AGITATOR ASSEMBLY	
169371MF	+ Standard Performance, R.H. Helix (Metal Thread Guards)
41435005	High Performance Cleaners, R.H. Helix (Metal Thread Guards w/Spdng)
48414006	+ High Performance Cleaners, R.H. Helix (Metal Thread Guards)
48414007	+ Standard Performance, R.H. Helix (Molded Thread Guards)

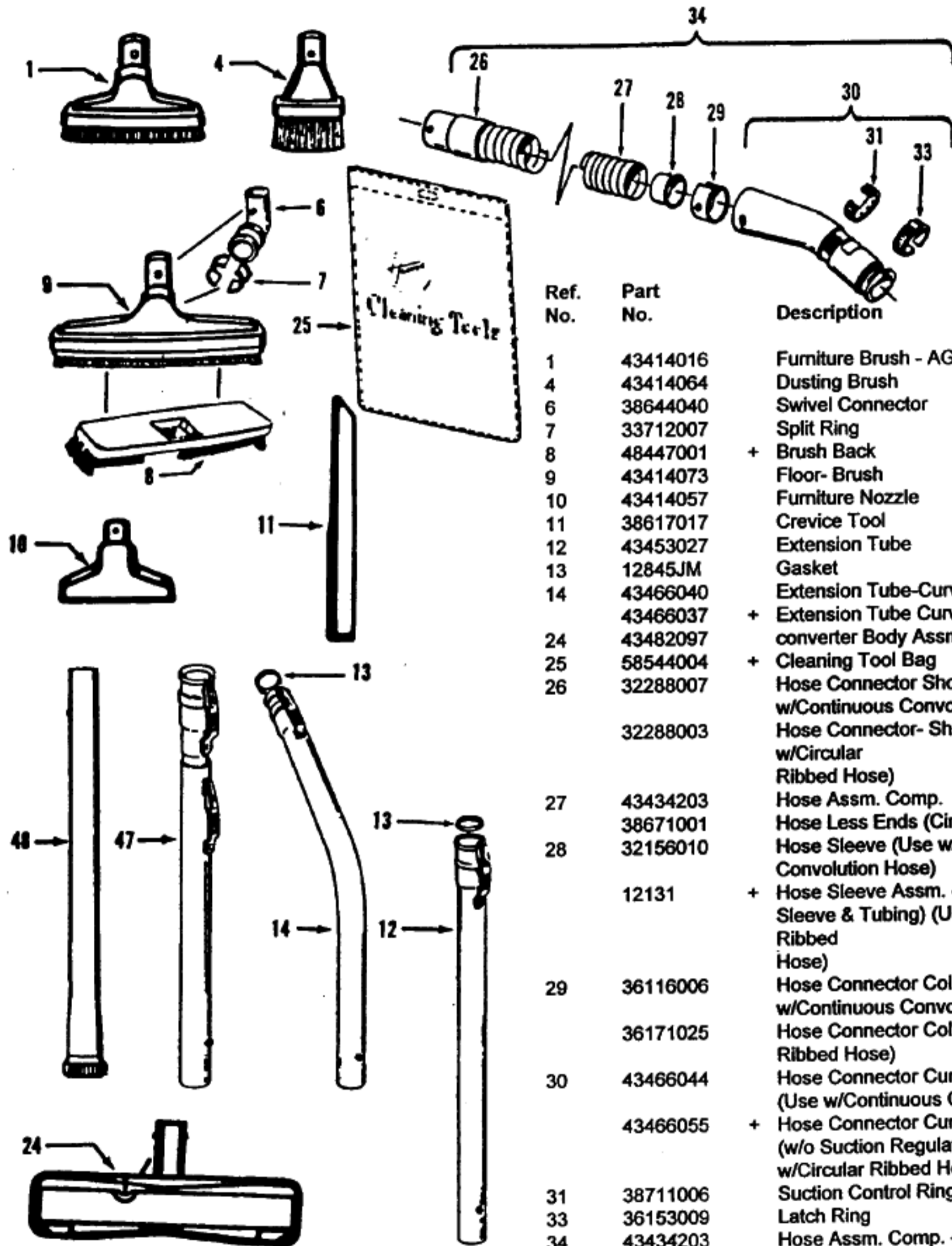
  

FOUR BRUSH AGITATOR ASSEMBLY	
48414002	+ Heavy Duty Commercial (Use 47159 Brush-Long, 47160 Brush-Short & 46875 Sems Fastener)
48414003	Lightweight Commercial (Use 160646BZ Brush & 36422003 Agitator End)

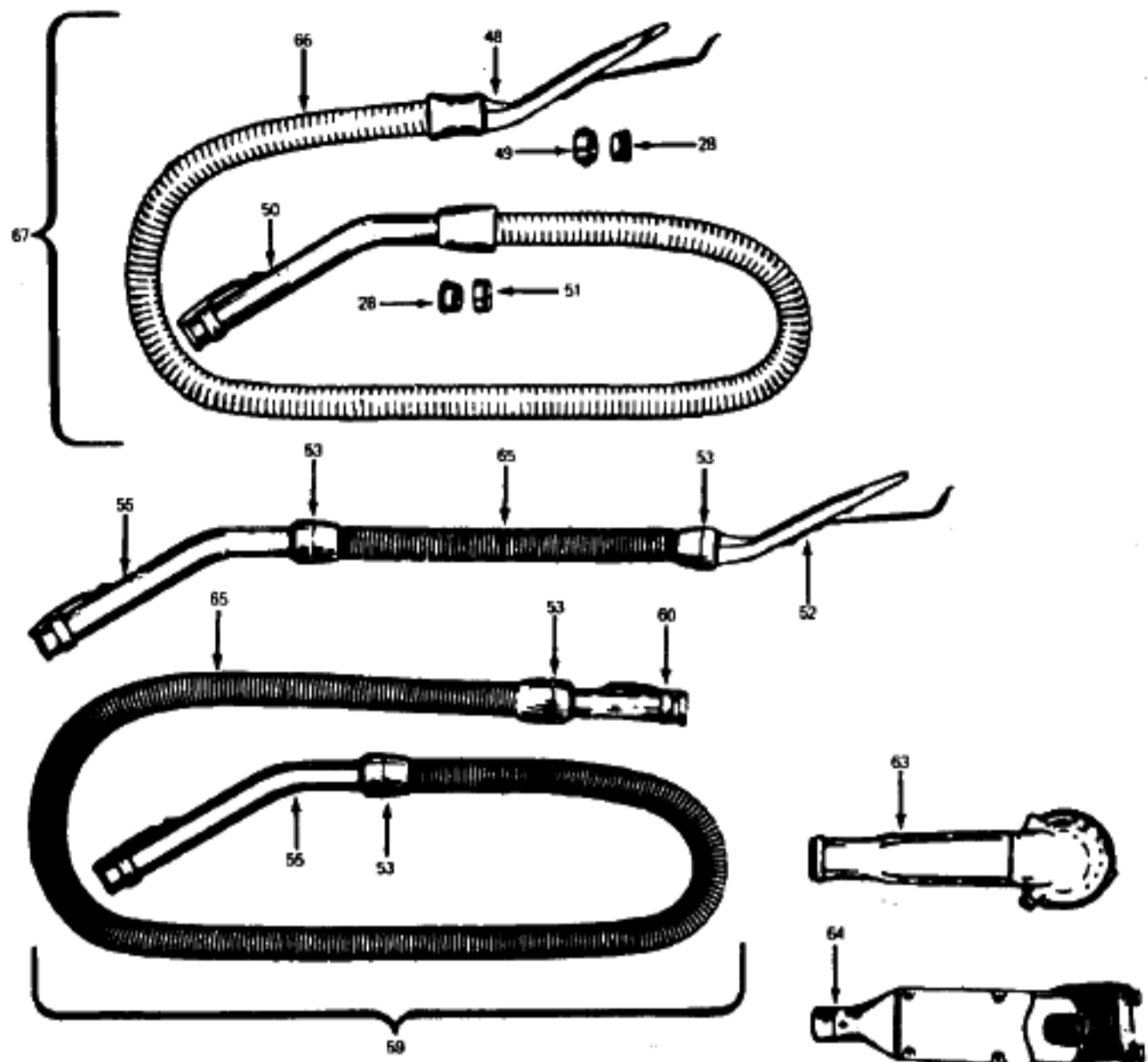
  

TWO BRUSH W/O BEATER BAR	
48414021	Agitator (Molded Thread Guards)

# Cleaning Tools



Ref. No.	Part No.	Description
1	43414016	Furniture Brush - AG
4	43414064	Dusting Brush
6	38644040	Swivel Connector
7	33712007	Split Ring
8	48447001	+ Brush Back
9	43414073	Floor- Brush
10	43414057	Furniture Nozzle
11	38617017	Crevice Tool
12	43453027	Extension Tube
13	12845JM	Gasket
14	43466040	Extension Tube-Curved - 17
	43466037	+ Extension Tube Curved - 22
24	43482097	converter Body Assm.
25	58544004	+ Cleaning Tool Bag
26	32288007	Hose Connector Short (Use w/Continuous Convolution Hose)
	32288003	Hose Connector- Short (Use w/Circular Ribbed Hose)
27	43434203	Hose Assm. Comp.
	38671001	Hose Less Ends (Circular- Ribbed)
28	32156010	Hose Sleeve (Use w/Continuous Convolution Hose)
	12131	+ Hose Sleeve Assm. (Includes Hose Sleeve & Tubing) (Use w/Circular Ribbed Hose)
29	36116006	Hose Connector Collar (Use w/Continuous Convolution Hose)
	36171025	Hose Connector Collar (Use w/Circular Ribbed Hose)
30	43466044	Hose Connector Curved w/Rings AAP (Use w/Continuous Convolution Hose)
	43466055	+ Hose Connector Curved w/Latch Ring (w/o Suction Regulator) (Use w/Circular Ribbed Hose)
31	38711006	Suction Control Ring
33	36153009	Latch Ring
34	43434203	Hose Assm. Comp. - Front Conversion (Continuous Convolution)(w/o Suction Regulator)
	43434209	Hose Assm. Comp. - Front Conversion Circular Ribbed w/o Suction Regulator
47	43458001	Extension Tube
48	3863801P	Extension Tube - Poly - AG



Ref. No.	Part No.	Description
28	32156010	Sleeve
48	13147JM	+ Converter
49	12615BZ	Hose Converter Collar
50	43468018	Hose Tube Curved
51	12704BZ	Hose Grip Collar
52	23473JM	+ Converter
53	23393JM	Hose Grip
55	13143	Hose Tube Curved
59	22671JM	+ Hose Comp. - Ultraflex (Commercial) (Use w/Converter 34202 or 35190)
60	34355	+ Hose End Short
63	35190	Converter (Use w/Hose 22671)

Ref. No.	Part No.	Description
64	34202JM	+ Converter (Use w/Hose 22671)
65	48617 JM	+ Hose Less Ends
66	43434213	Hose Less Ends
67	12864JM	+ Hose Assm. Comp.- Tufflex (Standard Rear Conversion)

ITEMS NOT ILLUSTRATED

169460JM	+ Ultraflex Hose - 50' length
43431011	+ Tufflex Hose - 50' length