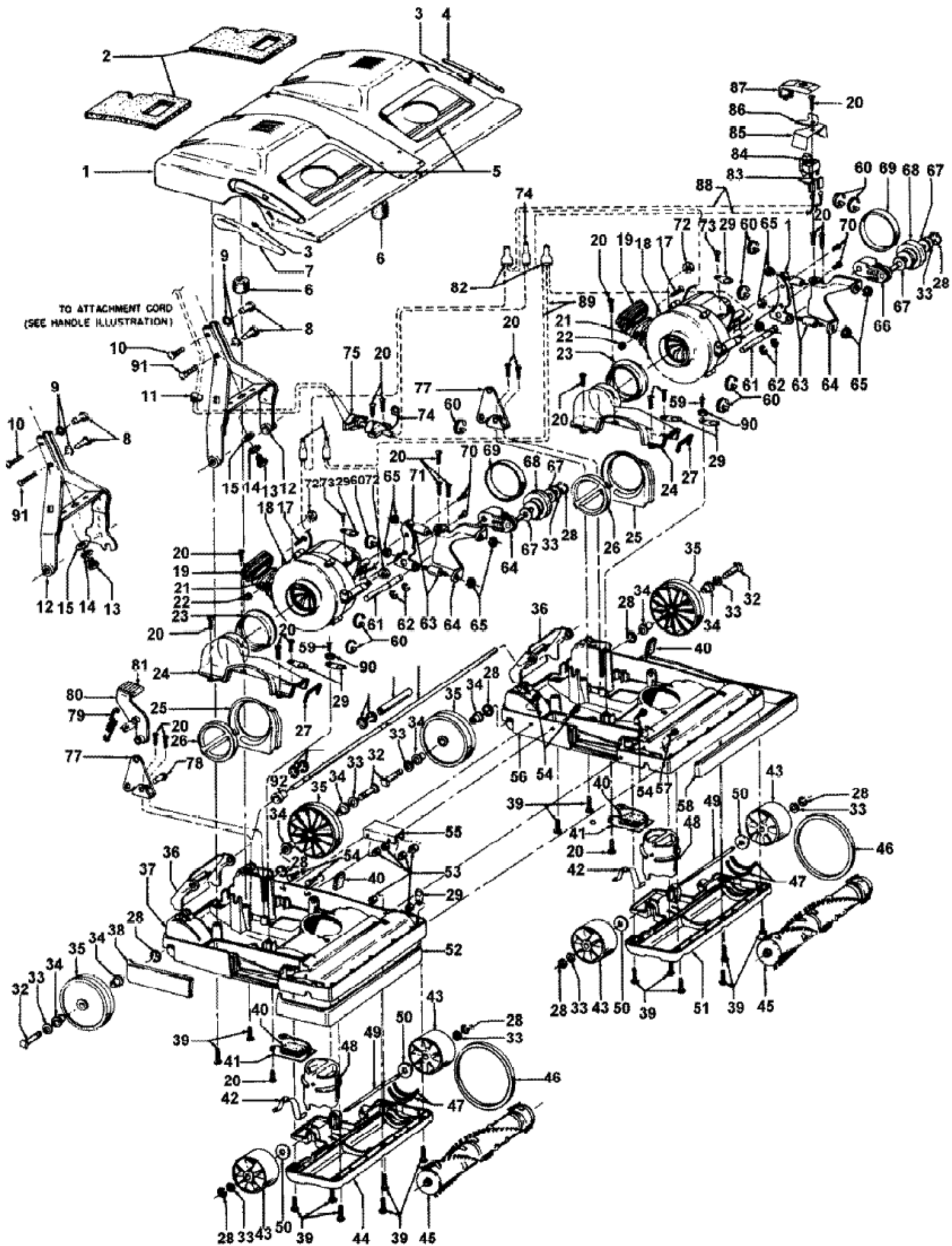


Item	Part Number	Part Description	Alt Part	Series	Qty
1	38336019	JACKET SUPP SPRING-U			2
2	41128016	BAG SPING/CLIP ASSEM			1
3	013759--	LOCK RING			1
	43667056	CLOTH BAG-AG			1
	43667040	CLOTH BAG-AAW/AG	43667056		1
4	34112015	SEAL	34122009		1
5	35173001	BAG EXPANDER-U7063			2
6	41427012	CUP SUPPORT			1
7	36155011	LATCH - AG - U7063			4
8	34123020	GASKET			2
9	38775001	DIRT CUP-U7063			2
10	38673001	BELLOWS - AG			2
11	015854EF	NUT			1
	017206--	SCREW 64			1
	049044--	CLAMP BAND			2
12	36112002	SCREW-7069/71			4
13	41424018	BAG FLANGE			2
14	36215025	CORD PROTECTOR-HP-U7			1
15	32277008	HANDLE CLAMP NUT			1
16	013704--	LOCK WASHER			1
17	21631302	HANDLE BOLT-U7047/45			1
18	34785017	CORD RETAINER			1
19	21288010	POP RIVET			2
20	39441016	CORD CLIP-AG-C1K01			1
21	46562016	ATTACH CORD-AAW-C111	91001025		1
	46383262	ATTACHMENT CORD - AA	46383193		1
22	161184--	BAG SUPPORT HOOK			2
23	21288401	BLIND RIVET S S			2
24	48646080	HANDLE COMPLETE - C1			1

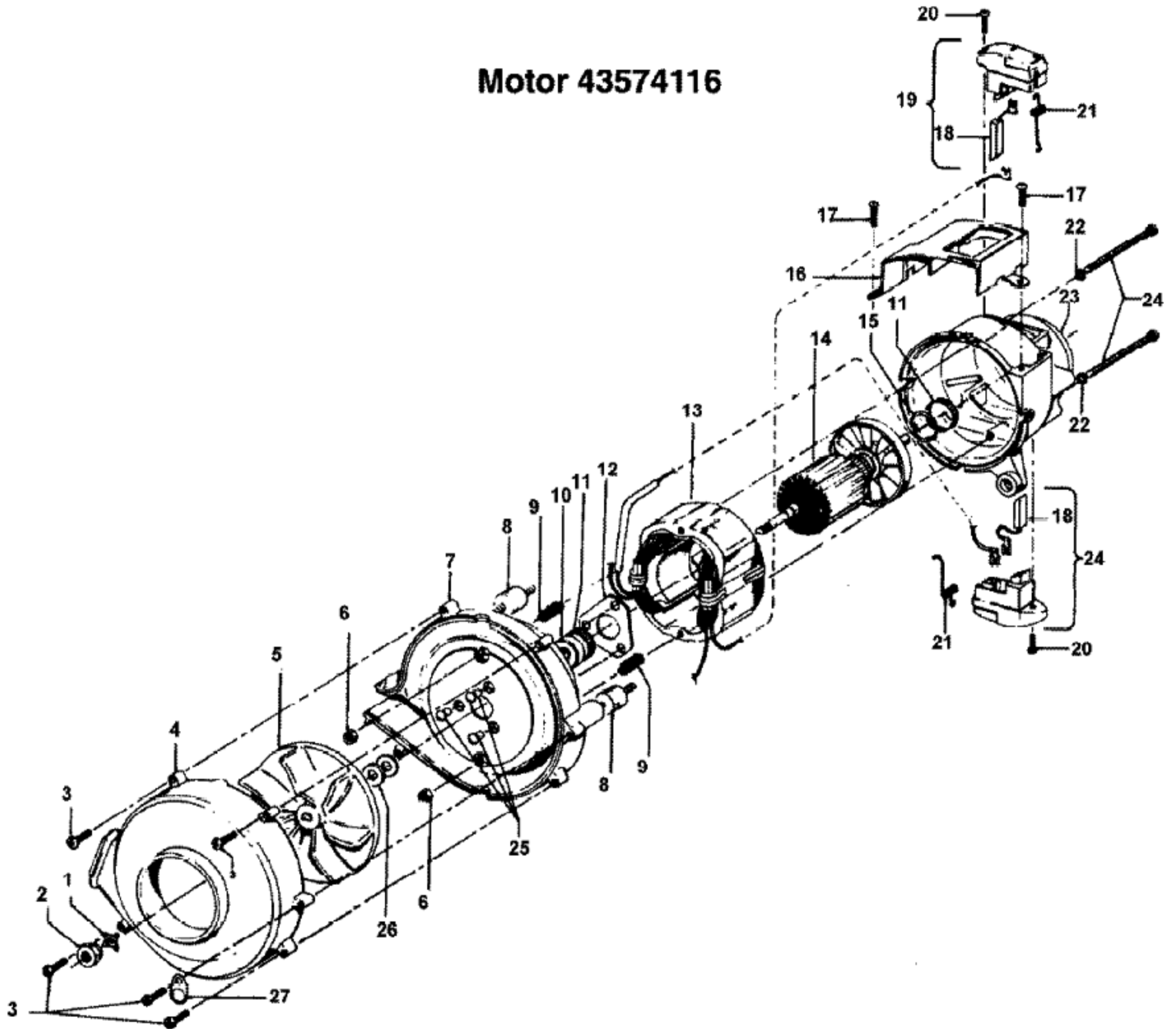


Item	Part Number	Part Description	Alt Part	Series	Qty
1	42251329	TWIN HOOD ASSEMBLY -	42251337		1
2	38783005	INTAKE DUCT GASKET-U			2
3	21364102	SPEED NUT-U7069/71			2
4	36222012	WEAR STRIP - LH			1
5	51353002	Nameplate-Hood-C1820			2
6	31164004	MOTOR CUSHION-U4347			2
7	36222017	WEAR STRIP - RH			1
8	32277021	HANDLE NUT			4
9	013704--	LOCK WASHER			4
10	21631302	HANDLE BOLT-U7047/45			2
11	36172015	CORD RETAINER-HP-U70			1
12	41416081	BAIL - AX - C1119			1
13	21811027	BOLT			2
14	21356014	LOCK WASHER - CCS			2
15	21312799	FLAT WASHER			2
16	41416082	BAIL - AX _ C1119			1
17	21765140	SCREW-U7069-71			2
18	43574116	MOTOR ASSEMBLY - C11			2
19	38671008	EXHAUST FLANGE BELLO			2
20	21447003	SCREW			2
21	34797008	CLAMP BAND-U7069-71			2
22	015854EF	NUT			2
23	38671005	DUCT BOOT-JM-U7069/7			2
24	38657020	AIR DUCT-BZ-U7069/71			2
25	41119008	CAP-LOCK ASSEM.			2
26	37257074	CAP	37257282		2
27	34253013	AIR DUCT GASKET-U706			2
28	160017--	LOCK RING			1
29	045517--	WIRE HOLDER			7
30	31744025	SPACER			1
31	32543014	BAIL SHAFT - C1119			1
32	32512001	REAR WHEEL AXLE-U706			4
33	163110--	WASHER			1
34	162143--	REAR WHEEL BEARING-U			8
35	38522036	REAR WHEEL - AG - U7			4
36	42256106	EXHAUST FLANGE ASSM-			2
37	37241120	MAIN BODY - RH - C11			1
38	36231084	FURNITURE GUARD	36231154		1
39	21447012	SCREW	21447215		16
40	34141005	MOTOR CUSHION-U7069/			4
41	35121001	ACCESS DOOR-U7069/71			2
42	38381005	SPRING-U7069/71			2
43	38522034	WHEEL - FRONT - U706			4
44	37245096	BOTTOM PLATE - RH -			1
45	48416035	AGITATOR COMPLETE-U7			2
46	38528013	V-BELT-U7069/71			2
47	38781008	GASKET-AGIT PULLEY-U			2

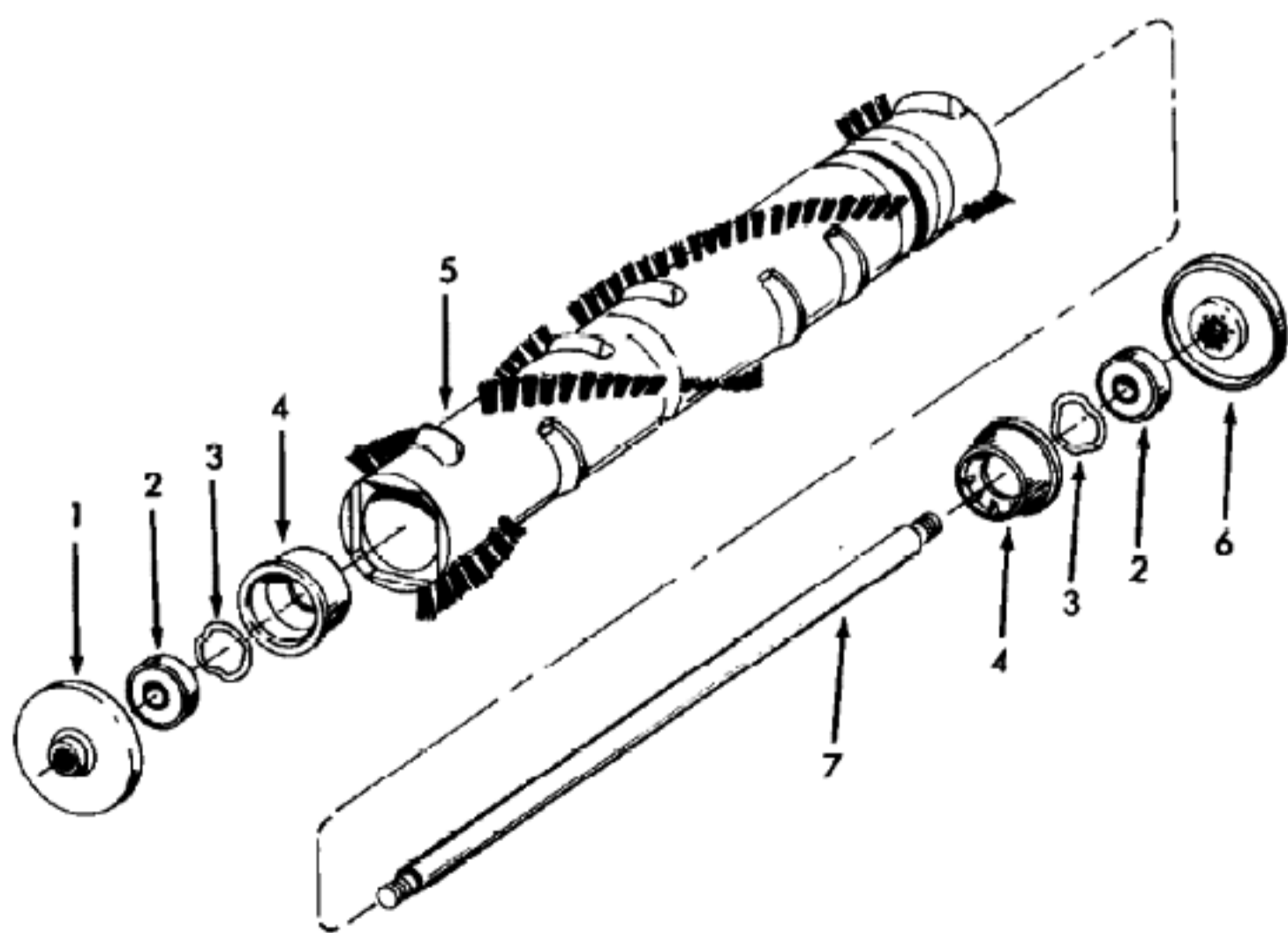
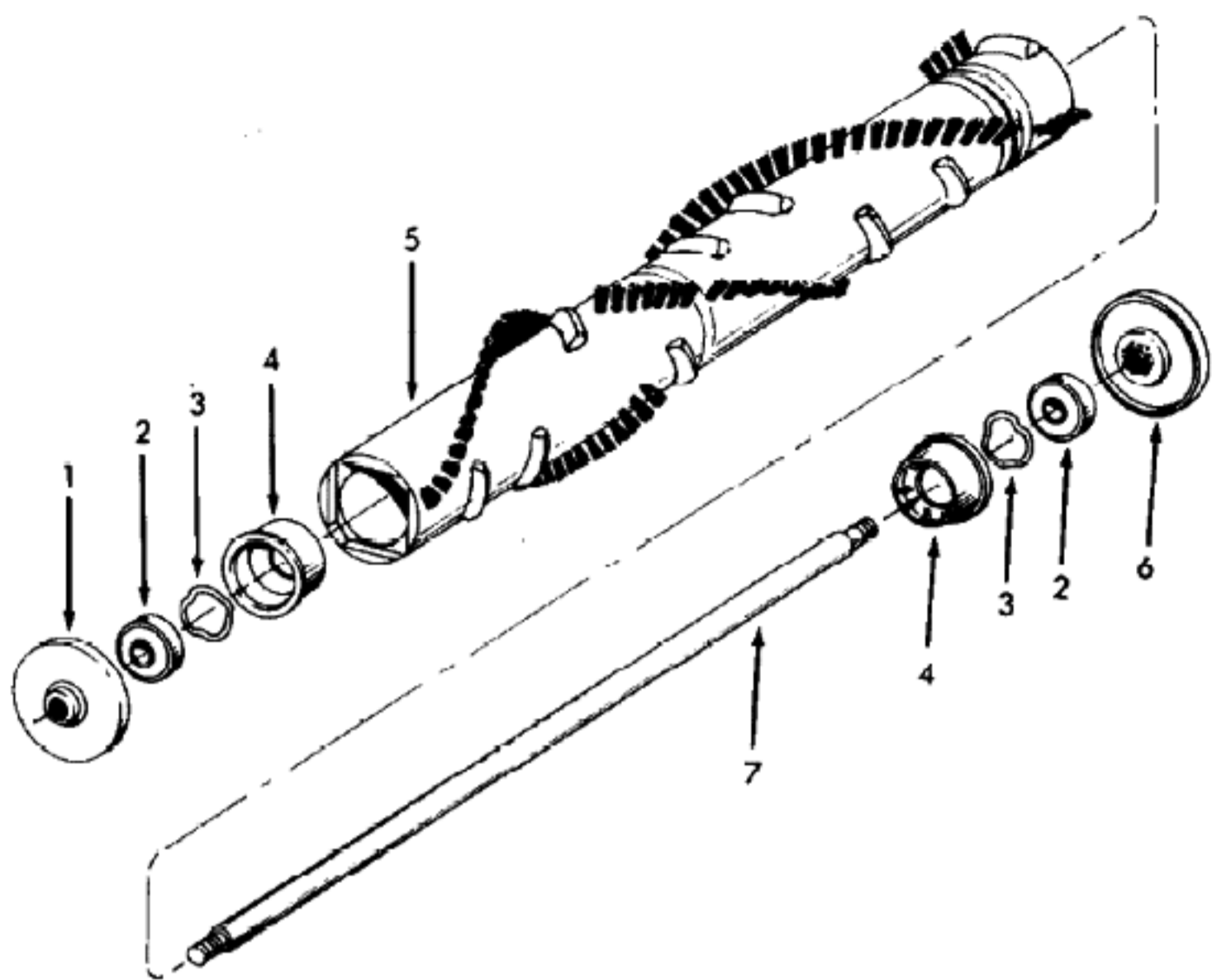
Item	Part Number	Part Description	Alt Part	Series	Qty
48	36436005	HEIGHT ADJ CAP-AG-C1			2
49	32543005	FRONT AXLE-U7069/71			2
50	21312754	WASHER-U7069/71			4
51	37245095	BOTTOM PLATE - LH -	37245066		1
52	41211030	FURNITURE GUARD			1
53	1107602-	LOCK NUT-C3003			6
54	21781154	SCREW-C9013			5
55	34612002	BRACKET - AY - C1119			1
56	37241119	MAIN BODY - LH - C11			1
57	049417AZ	SCREW			1
58	41211029	FURNITURE GUARD			1
59	166648AW	SCREW			2
60	27479307	CABLE TIE			1
61	31534001	SHAFT PULLEY ARM SUP			2
62	013730--	LOCK RING			4
63	32724010	SANDWICH MOUNT-U7069			4
64	36321006	MOTOR SUPP BRACKET-U			1
65	21852158	NUT			8
66	43256007	PULLEY ARM & SHAFT-U			2
67	31158008	BEARING-U7069/71			4
68	43256002	PULLEY ASSEMBLY-U706			2
69	38528036	BELT-CONQUEST/PN-WT			2
70	017001FW	SCREW			4
71	36321002	MOUNTING BRACKET-U70			1
72	21652005	HEX NUT-U7069/71			4
73	017001FW	SCREW			2
74	012227--	TERMINALS-0513			3
75	36216008	CORD PROTECTOR-AG-U7			1
76	27478611	STRAIN RELIEF - C207			1
77	35214009	FOOT LEVER SUPPORT-U			1
78	32215002	SHAFT-U7069/71			1
79	38335008	SPRING-U7069/71			1
80	43151006	HDL CONT LEVER-AG-C1			1
81	38426030	FOOT PAD-AG-U3301			1
82	018972--	TERMINAL-INSULATED-U			2
83	162961--	INSULATING POD-0517			2
84	28212009	SWITCH-U7069			1
85	68182547	SWITCH PROTECTOR - C			1
86	36171030	SWITCH CLAMP-U7069/7			1
87	38426047	SWITCH PEDAL-AG-C1E0			1
88	46183032	LEAD WIRE-BLACK - C1			1
89	46311044	CORD - STRIPPED - C1			1
90	015854EF	NUT			1
91	21831024	HANDLE BOLT-U7069/71			2
92	32172010	BUSHING - C1119			1
93	56711072	ASSEMBLY INS-C1119			1
	56711073	OWNER MANUAL-C1119R3			1

Item	Part Number	Part Description	Alt Part	Series	Qty
93	58333011	BOTTOM SUPPORT - C11			1
	58347009	TOP SUPPORT - C1119			1
	58353010	DUST CUP SUPPORT - C			1
	58433005	TUBE - C1119			1

Motor 43574116



Item	Part Number	Part Description	Alt Part	Series	Qty
1	36128003	LOCK WASHER			1
2	33426001	NUT-S3005			1
3	21447072	SCREW			1
4	38736025	FAN CHAMBER COVER-U7			1
5	38755012	FAN -U7069			1
6	21641557	NUT-U7069/71			1
7	43588018	FAN CHAMBER ASSM-U70			1
8	32724015	SANDWICH MOUNT-U7069			1
9	012854--	SPRING			1
10	24152807	MOTOR BEARING - 8MM			1
11	24198001	STAR RING-U7069/71			1
12	012025--	MTR BRG RETAINER-U70			1
13	45311056	FIELD COIL - 6.5 - U	90001007		1
14	44765184	ARMATURE - C1119			1
15	21345115	WAVE SPRING WASHER			1
16	37257086	AIR INTAKE DUCT - U7			1
17	21447041	SCREW			1
18	47315010	BRUSH & TERM ASSM-U7			1
19	47318008	BRUSH CARRIER ASSM-U			1
20	21479302	SCREW-U7069/71			1
21	38353004	SPRING U3101/3 U4201			1
22	21338006	LOCK WASHER-U7069/71			1
23	37191090	MOTOR HOUSING-U7069/			1
24	21563061	SCREW-U7069/71			1
25	012503EF	RIVET-SEMI TUBULAR			1
26	166563--	WASHER			1
27	045517--	WIRE HOLDER			1



Item	Part Number	Part Description	Alt Part	Series	Qty
1	41435066	THREAD GUARD ASSM-U7			1
2	24152807	MOTOR BEARING - 8MM			1
3	21345113	WAVE SPRING WASHER-U			1
4	36422004	AGITATOR END-U7069/7			1
5	48416017	AGITATOR BODY & ENDS			1
	48416013	AGITATOR BODY & ENDS			1
6	41435061	THREAD GUARD ASSM-U7			1
7	32873007	AGITATOR SHAFT-U7069			1
	32873004	AGITATOR SHAFT-U7071			1
8	48416036	AGITATOR COMPLETE-U7			1
	48416035	AGITATOR COMPLETE-U7			1