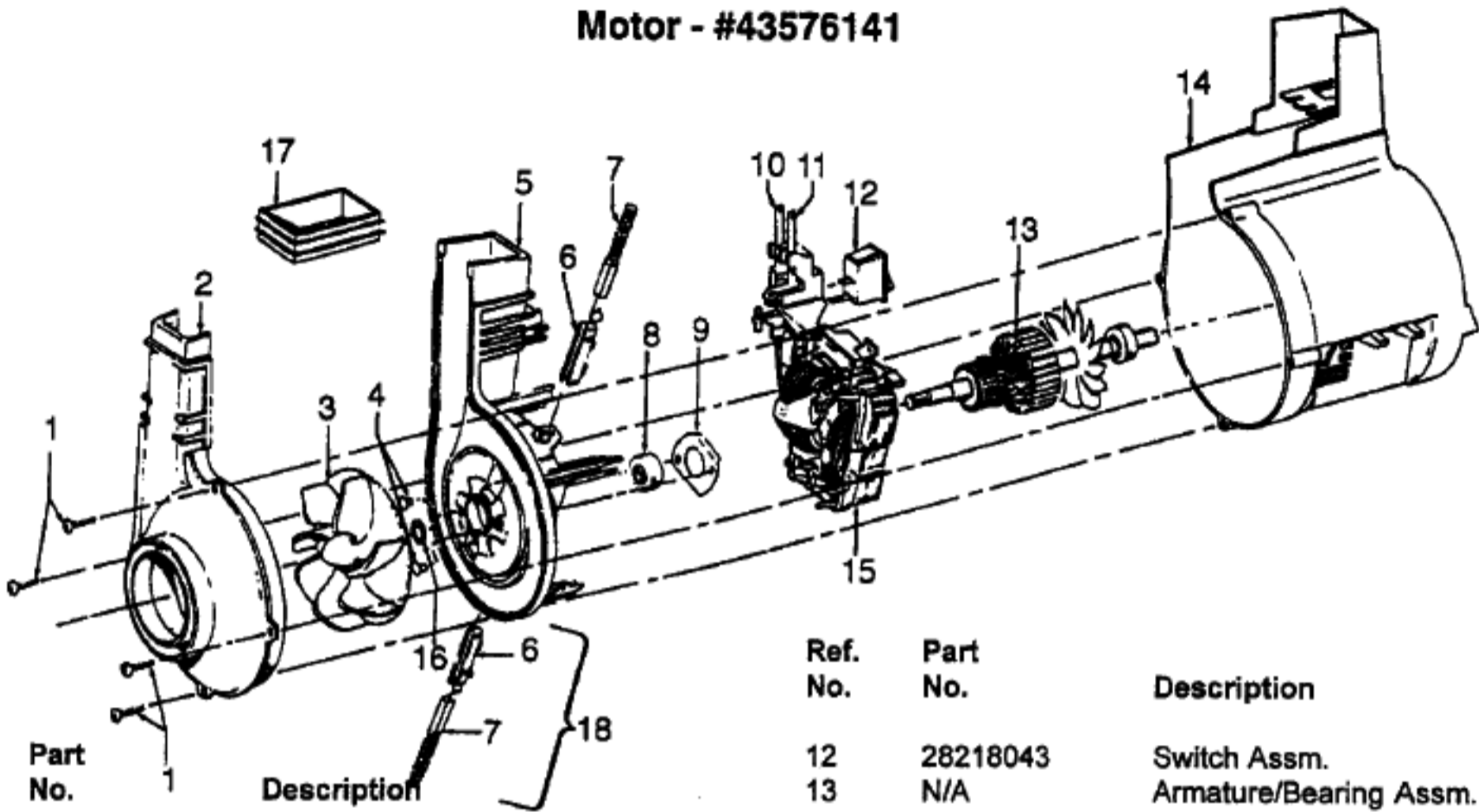


Lightweight Commercial

Model C1403

Ref. No.	Part No.	Description	Ref. No.	Part No.	Description
1	48663149	Upper Handle Assm.	23	13261AY	* Rug Nozzle Rib Shoe
2	37911079	Handle Cap - ABE	24	36131056	Wheel Retainer - AG (2)
3	46368003	Attach. Cord - AAW	25	43248055	Wheel - AG
4	38335020	Bag Strap Spring - AY	26	32563012	+ Wheel Shaft - AY (Use 43248055)
5	36425071	Bag Strap - ABE	27	43248055	Front Wheel Assm. (Incl. It. 25,26)
6	36425067	Jacket Support - Upper - ABE	28	48414079	Agitator Assm. Comp. - AG - (P-218)
7	43674204	Outer Jacket - Sewn - AAG	29	37245108	Bottom Plate - AG
8	38456036	Switch Control Rod - ABB	30	38784016	Seal
9	39464005	Lower Handle - ABE	31	21312787	Washer (4)
10	40201085	Nut & Bolt Assm.	32	21447121	+* Screw - Self Tapping (2)
11	36425068	Jacket Support - Lower - ABE	ITEMS NOT ILLUSTRATED		
12	38522011	Wheel - Rear - AG (2)		43867034	Cloth Reusable "A" Bag
13	31531008	Wheel Shaft - AY (2)		40201151	Hardware Kit -(inc. items 12, 13, 15, 23, 31)
14	42242270	Main Body Assm. - AG (Incl. Items 12,13,15, 23, 31)	PACKAGING MATERIAL		
15	38458022	Handle Release Lever - AG		56711105	+ Assm. Inst. Sheet
16	36131057	Motor Retainer Cap - RH - ABE		56711106	+ Operating Inst. Folder
17	21447217	* Screw - Self Tapping (4)		59814068	+ Carton
18	4010001A	Throw - Away Bag - 3 Pack		58346004	+ Front Support
19	37252089	Hood - AAW		58353009	+ Rear Support
20	36131095	+ Motor Retainer Cap - LH - ABE			
21	43576141	Motor Assm. - (P - 218)			
22	38528027	+ Belt (use 38528040)			

Motor - #43576141



Ref. No.	Part No.	Description
	43576141	Motor Assm. Comp.
1	N/A	Screw-Self Tapping (4)
2	38736033	Fan Chamber - MW
3	38755030	Fan
4	N/A	Rivet - Semi Tubular (2)
5	N/A	Motor Housing Assm.
6	N/A	Motor Brush Holder (2)
7	N/A	Motor Brush Assm. (2)
8	N/A	Bearing
9	N/A	Bearing Retainer
10	36914004	Switch Bus Bar
11	39116005	+ Attachment Terminal

Ref. No.	Part No.	Description
12	28218043	Switch Assm.
13	N/A	Armature/Bearing Assm.
14	37194046	Motor End Cap Assm.
15	N/A	Field Assm.
16	N/A	Washer
17	38783020	Duct Seal
18	41311015	Motor Brush Holder Assm.

ITEMS NOT ILLUSTRATED

- 38781013 + Duct Seal
- 54821001 Tape (Roll)

Agitator - #48414079

Ref. No.	Part No.	Description
	48414079	Agitator Assm. Comp. - AG
1	36423016	Thread Guard - RH
2	43267002	Agitator Bearing Assm. (2)
3	21347003	Conical Washer (2)
4	36422022	Agitator End (2)
5	48414050	+ Agitator Body
6	32724013	+ Agitator Shaft
7	36423017	Thread Guard - LH - AG

