

**Motor 40309020**  
**1 - Speed w/ Guide**

Ref. No.	Part No.	Description
1	45533AY	+* Screw
2	14062	* Washer
3	41961009	Indicator Guide
4	42934002	Motor Casing Cap Assm.
5	38755005	Vent Fan
6	161535	* Screw
7	42195003	Upper Motor Casing
8	47318012	Carbon Brush
9	36315003	Brush Insulator
10	44768049	Armature
11	45118	* Bolt
12	45412035	Field Coil
13	21772501	* Screw
14	35276006	Indicator Guide Spring
15	42193006	Lower Motor Case
16	15673	* Nut
17	32184003	Retainer
18	19772	Washer
19	45251	Nut
20	31731002	Spacer
21	166563	* Washer
22	38755011	Fan
23	31162004	* Washer - Heat Insulating
24	38532009	Motor Pulley
25	24152807	Bearing
26	14320	* Terminal
27	43267006	Bearing Kit

# Commercial Upright Cleaner

Model C1407

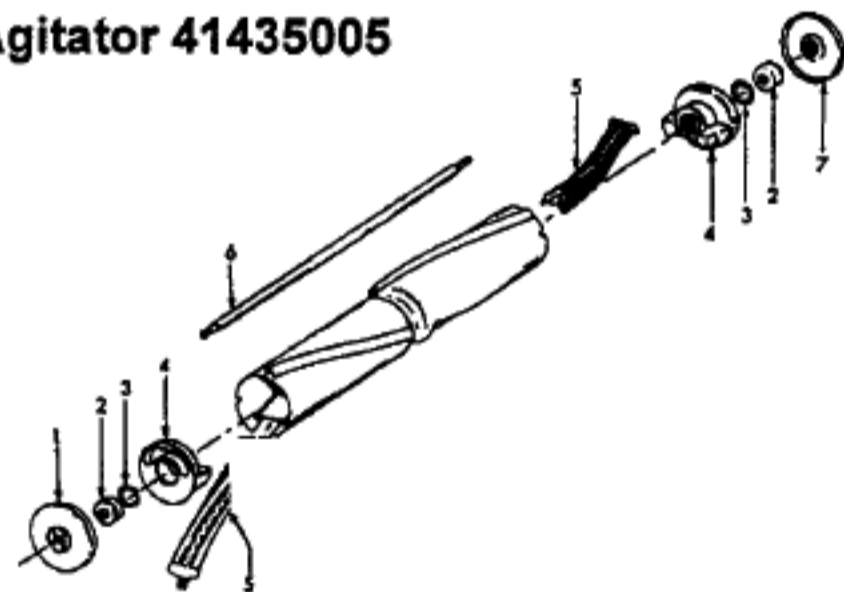
Ref. No.	Part No.	Description
1	38335009	Support Spring
2	43667041	Cloth Bag - AG
3	35173001	Bag Expander - AG
4	34112015	Seal (2)
5	41427013	Dust Cup Support & Bellows
6	36155011	Latch - AG (2)
7	34123020	Gasket
8	38775001	Dust Cup
9	43675129	Dust Cup Assm.
10	51151034	Indicator - AG
11	38456044	Nozzle Adj. Lever - AG
12	27479307	* Cable Tie
13	21481273	* Screw - Self Tapping (2)
14	37954001	Bail Cover Plate - AG
15	48969	* Wire Nut (4)
16	21354155	* Lock Washer - Special
17	34223004	Strain Relief Mounting Plate
18	23187363	Screw - Self Tapping
19	21631302	Handle Bolt (2)
20	35463011	Handle Retainer Plate
21	39049	Strain Relief Bushing
22	41416064	Bail Assem. (Inc. 13,14,17,19,20,25)
23	12560	* Switch Nut
24	48631134	Lower Handle - AX
25	32277008	Handle Nut (2)
26	13704	* Lock Washer (2)
27	48646091	Handle Comp. - AX
28	48643057	Handle Upper Half - AX
29	23458AG	Handle Grip
30	46583152	Attachment Cord - 35'- NM
31	34785017	Cord Retaining Clamp - AX
32	36215021	Cord Protector
33	38424003	Switch Pedal - PH
34	24735022	* Circlip
35	41424011	Bag Flange Assm.
36	36425023	Clamp
37	38673001	Bellows - AG
38	35217006	Mounting Bracket - AW
39	613802AY	* Shaft
40	28212017	Switch
41	38426080	Foot Pad - AG
42	11735	Roller Detent Assm.
43	48409FW	Spring
44	19907	Bag Flange Clamp Lever
45	13730	* Lock Ring (4)
46	46515007	Bail Cord/Tubing Assm.
47	38456050	Handle Control Lever
48	47450AY	Pivot Pin
49	43263005	Cam Follower
50	41431013	Wheel Shaft & Support Assm.
51	34252005	* Yoke
52	161513	Spring
53	21312806	* Washer
54	27479307	* Lead Wire Tie
55	41961009	Indicator Guide
56	35276006	Indicator Guide Spring
57	41119009	Retainer & Sleeving Assm.
58	21447211	+* Screw - Self Tapping (4)
59	168278AY	+* Washer (4)
60	12997AW	* Rivet (2)
61	21256094	* Rivet
62	39441016	Cord Clip - AG
63	48111008	Indicator Lens
64	42251236	Hood Assm. - LX
65	37246052	Panel - AG
66	52115181	Hood Nameplate

Ref. No.	Part No.	Description
67	36231147	Furniture Guard - AG
68	45533AY	+* Screw
69	14062	* Lock Washer
70	40309020	Motor Assm. Comp.
71	12559FW	Spring
72	17001FW	* Screw - Self Tapping
73	34665007	Pivot Pin Retainer
74	34791AG	Carrier Wheel (2)
75	21312724	* Washer (2)
76	47457AY	Wheel Shaft (2)
77	48422	* Rivet - Tubular (2)
78	42242225	Main Body
79	21312781	* Washer (2)
80	34784021	Agitator Retaining Spring - AY (2)
81	12503EF	* Rivet - Semi Tubular
82	12138FW	Bottom Plate Spring
83	41435005	Agitator Assm. Comp. - He
84	44783AG	Belt
85	34111001	* Support Pad (2)
86	42246062	Bottom Plate Assm.
87	36153006	Bottom Plate Latch (2)
88	21479229	* Screw - Self Tapping (2)
89	21447020	* Screw - Self Tapping (2)
90	21479347	* Screw - Self Tapping (2)
91	35434040	Axle/Bag Flange Support
92	38521019	Rear Wheel - AG (2)
93	32182001	* Wheel Retainer (2)
94	161509AY	Bail Shaft
95	41128021	Bag Clip & Spring

**PACKAGING MATERIAL**

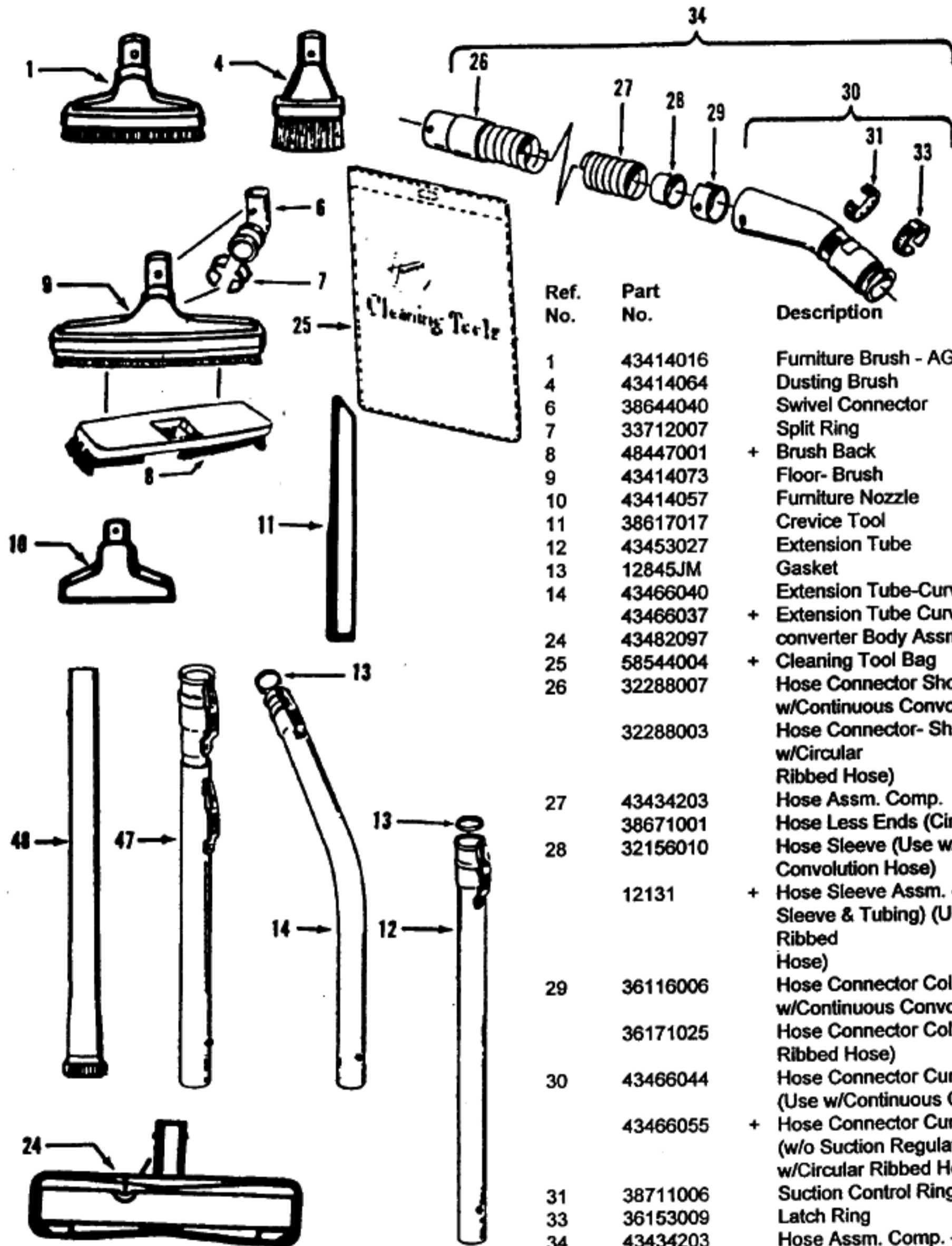
58174074	+	Cleaner Carton
58216006		Dirt Cup Middle Pad
56711081	+	Assm. Instruction Sheet
56711082	+	Operation Instruction Folder
58343025		Front Support
58366012		Rear Support

**Agitator 41435005**



Ref. No.	Part No.	Description
1	49180	Thread Guard - LH
2	43267002	Bearing
3	21347003	* Washer
4	160542	End
5	48445001	Agitator Brush
6	32724008	Shaft
7	12985AY	Thread Guard - RH

# Cleaning Tools



Ref. No.	Part No.	Description
1	43414016	Furniture Brush - AG
4	43414064	Dusting Brush
6	38644040	Swivel Connector
7	33712007	Split Ring
8	48447001	+ Brush Back
9	43414073	Floor- Brush
10	43414057	Furniture Nozzle
11	38617017	Crevice Tool
12	43453027	Extension Tube
13	12845JM	Gasket
14	43466040	Extension Tube-Curved - 17
	43466037	+ Extension Tube Curved - 22
24	43482097	converter Body Assm.
25	58544004	+ Cleaning Tool Bag
26	32288007	Hose Connector Short (Use w/Continuous Convolution Hose)
	32288003	Hose Connector- Short (Use w/Circular Ribbed Hose)
27	43434203	Hose Assm. Comp.
	38671001	Hose Less Ends (Circular- Ribbed)
28	32156010	Hose Sleeve (Use w/Continuous Convolution Hose)
	12131	+ Hose Sleeve Assm. (Includes Hose Sleeve & Tubing) (Use w/Circular Ribbed Hose)
29	36116006	Hose Connector Collar (Use w/Continuous Convolution Hose)
	36171025	Hose Connector Collar (Use w/Circular Ribbed Hose)
30	43466044	Hose Connector Curved w/Rings AAP (Use w/Continuous Convolution Hose)
	43466055	+ Hose Connector Curved w/Latch Ring (w/o Suction Regulator) (Use w/Circular Ribbed Hose)
31	38711006	Suction Control Ring
33	36153009	Latch Ring
34	43434203	Hose Assm. Comp. - Front Conversion (Continuous Convolution)(w/o Suction Regulator)
	43434209	Hose Assm. Comp. - Front Conversion Circular Ribbed w/o Suction Regulator
47	43458001	Extension Tube
48	3863801P	Extension Tube - Poly - AG