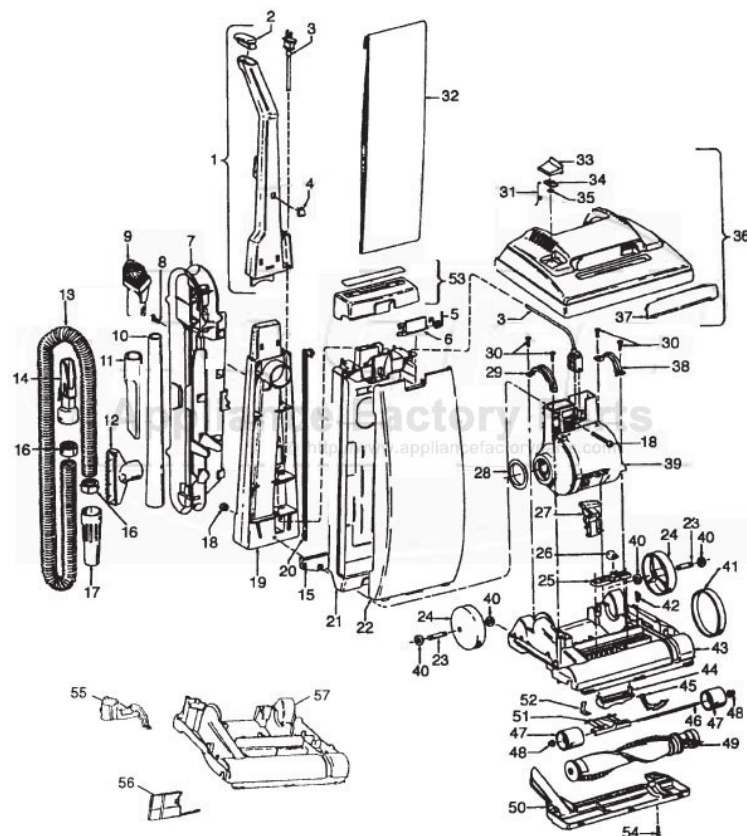


This Owner's Manual is provided and hosted by Appliance Factory Parts.



HOOVER C1409-910 Owner's Manual

[Shop genuine replacement parts for HOOVER
C1409-910](#)



[Find Your HOOVER Vacuum Cleaner Parts - Select From 1456 Models](#)

----- Manual continues below part list -----

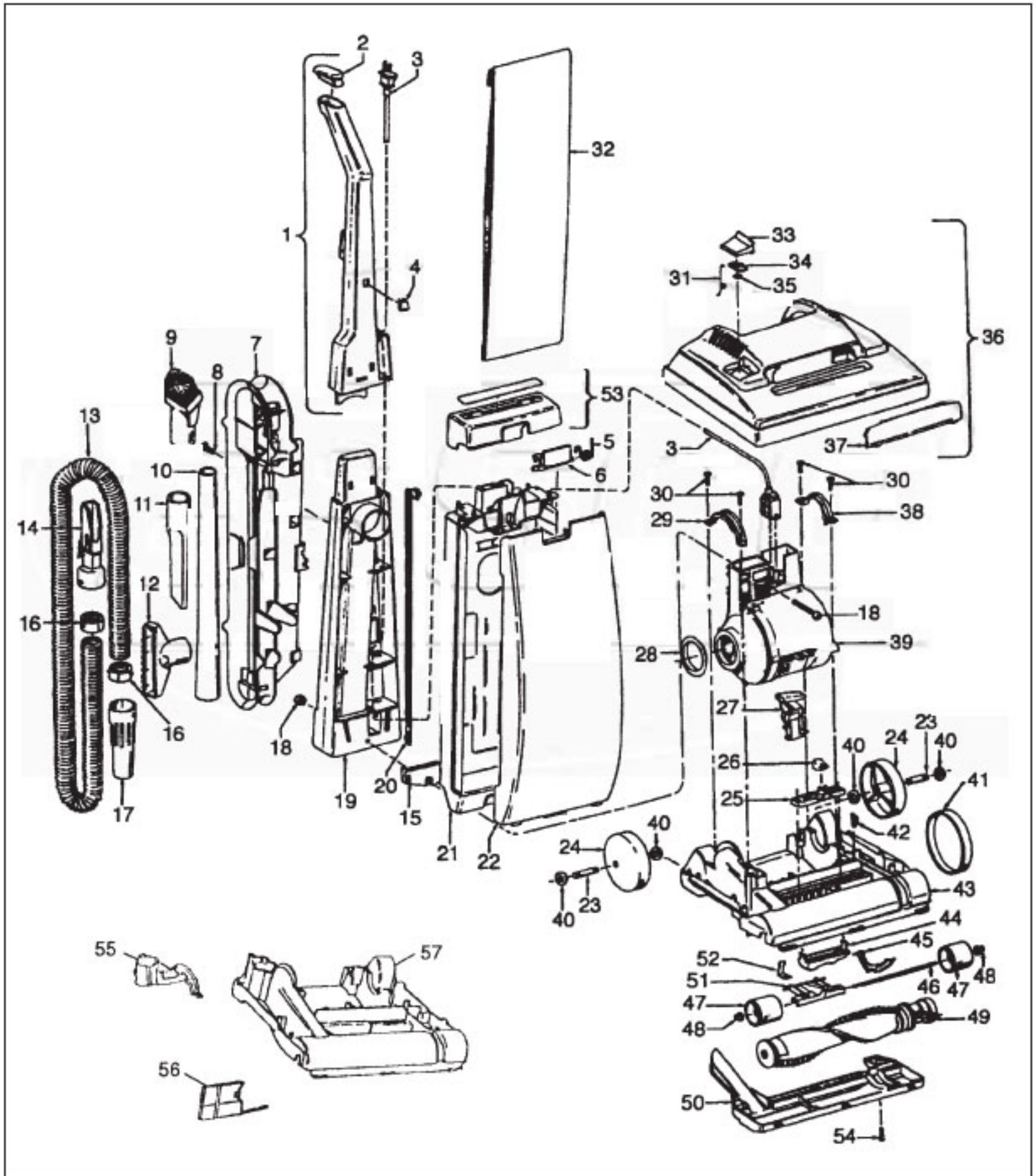
Available Replacement Parts for HOOVER C1409-910

| | |
|----------------------------|---------------------------------|
| H-38528040 | BELT VACUUM HOOVER OEM (1 PACK) |
| 48414036 | HOOVER ELITE BRUSH ROLLER |
| H-4010001A | VACUUM BAG OEM HOOVER 3 PACK |

HOOVER Original

ELITE & LEGACY HARD BODY

Models C1401-910, C1409-910, C1413-910/930, U5035-910/930, U5043-910/930, U5051-910/930, U5053-910/930, U5069-910, U5079-910, U5089-910/920/930, U5099-910/920/930, U5109-910/920/930



Original **HOOVER**

ELITE & LEGACY HARD BODY

Models C1401-910, C1409-910, C1413-910/930, U5035-910/930, U5043-910/930, U5051-910/930, U5053-910/930, U5069-910, U5079-910, U5089-910/920/930, U5099-910/920/930, U5109-910/920/930

| KEY | PART NO. | DESCRIPTION | KEY | PART NO. | DESCRIPTION |
|-----|------------|--|-----|------------|---|
| 1 | H-48663158 | Upper Handle Ass'y C1413-930 | 27 | H-38458022 | Handle Release Lever AG |
| 1 | NLA | Upper Handle Ass'y 5089-910/920/930, 5099-910/920/930 U5109-910/920/930 | 28 | H-38784016 | Seal |
| 1 | H-48663160 | Upper Handle Ass'y 5051, 5069-910, 5079-910 | 29 | H-36131057 | Motor Retainer Cap - R.H. |
| 1 | H-48663167 | Upper Handle Ass'y 5053-910, 5053-930 | 30 | H-21447217 | Screw - Self Tapping |
| 1 | H-48663168 | Upper Handle Ass'y 5035-930, 5043-910/930 | 31 | H-38351013 | Spring |
| 1 | H-48663158 | Upper Handle Ass'y C1409-910 | 32 | H-4010001A | Throw Away Bag - 3 Pk. |
| 2 | H-37911072 | Handle Cap - ABE | 33 | H-37257064 | Door Ass'y - AAW (Incl. Items 34,35) |
| 3 | H-46368005 | Attachment Cord 3 Wire | 34 | H-38785011 | Seal |
| 3 | H-46388016 | Attachment Cord 2 Wire | 35 | H-21362006 | Speed Nut |
| 4 | H-37911061 | Plug | 36 | NLA | Hood Ass'y C1401-910 |
| 5 | H-38355008 | Spring | 36 | H-42252357 | Hood Ass'y (Incl. Items 33, 37) |
| 6 | H-36151006 | Latch | 36 | H-42252357 | Hood Ass'y (Incl. Items 33, 37) C1413-930 |
| 7 | H-41426086 | Tool Holder - ABE | 36 | H-42252330 | Hood Ass'y 5035-930 |
| 8 | H-21447220 | Screw - Self Tapping | 36 | H-42252319 | Hood Ass'y 5043-910 |
| 9 | H-43414145 | Dusting Brush - AG | 36 | H-42252292 | Hood Ass'y 5053-910/930, 5079-910 |
| 10 | H-38634077 | Ext. Tube - AG | 36 | H-42252340 | Hood Ass'y 5043-930 |
| 11 | H-38617024 | Crevice Tool - AG | 36 | H-42252368 | Hood Ass'y 5051-930 |
| 12 | H-38614029 | Furniture Nozzle - AG | 36 | H-42252293 | Hood Ass'y 5069-910, 5089-910/920/930 |
| 13 | H-43434232 | Hose Comp. - ABX/AG | 36 | H-42252298 | Hood Ass'y 5099-910/920/930 |
| 14 | H-38656035 | Hose Connector - AG | 36 | H-42252250 | Hood Ass'y 5109-910/920/930 |
| 15 | H-36425081 | Bag Housing Bracket | 36 | H-42252297 | Hood Ass'y C1409-910 |
| 16 | H-36116027 | Hose Connector Collar - AG | 37 | H-37246129 | Cover C1413-930 |
| 17 | H-32288011 | Hose Adapter - AG | 37 | H-39383097 | Lens 5053-910/930, 5069-910, 5079-910, 5089-910/920/930, 5099-910/920/930, 5109-910/920/930 |
| 18 | H-40201085 | Nut & Bolt | 37 | H-39383098 | Lens 5035-930, 5043-910/930, 5051-930 |
| 19 | H-39464005 | Lower Handle C1413-930, 5051-910 | 37 | H-39383102 | Lens C1409-910 |
| 19 | H-48669001 | Lower Handle 5089-910/920/930, 5099-910/920/930, 5109-910/920/930 | 38 | H-36131090 | Motor Retainer Cap - L.H. |
| 19 | H-39464004 | Lower Handle 5035-930, 5043-910/930, 5069-910, 5079-910, C1409-910 | 39 | H-43576142 | Motor |
| 20 | H-38456036 | Switch Control Rod -ABB | 40 | H-21312787 | Washer (4) |
| 21 | H-37254068 | Bag Housing | 41 | H-38528040 | Belt |
| 22 | H-37257082 | Bag Housing Door C1413-930 | 42 | H-13261 | Rug Nozzle Rib Shoe |
| 22 | H-37257038 | Bag Housing Door 5035-930, 5043-910/930, 5053-910/930, 5069-910, 5079-910, 5089-910/920/930, 5099-910/920/930, 5109-910/920/930 | 43 | H-42243002 | Main Body Ass'y (Incl. 23, 24, 27, 42) C1413-930 |
| 22 | H-37257084 | Bag Housing Door 5051-930 | 43 | H-42243001 | Main Body Ass'y 5035-910, 5043-910/930, 5051-930 |
| 22 | H-37257034 | Bag Housing Door C1409-910 | 44 | H-38563011 | Nozzle Height Adj. Cam |
| 23 | H-31531008 | Wheel Shaft - AY | 45 | H-38452089 | Lever |
| 24 | H-38522011 | Rear Wheel - AG | 46 | H-32563012 | Wheel Shaft - AY |
| 25 | H-38567008 | Cam Actuator C1413-930, 5035-930, 5043-910/930, 5051-930 | 47 | H-38521023 | Wheel - AG |
| 25 | H-38567009 | Cam Actuator 5053-910/930, 5069-910, 5079-910, 5089-910/920/930, 5099-910/920/930, 5109-910/920/930, C1401-910 | 48 | H-36131056 | Wheel Retainer - BZ |
| 26 | H-38421070 | Indicator Knob Small C1413-910/930, 5035-930, 5043-930, 5051-930 | 49 | H-48414035 | Agitator |
| 26 | H-38421066 | Indicator Knob Small 5043-910 | 50 | H-37245106 | Bottom Plate - AG |
| 26 | H-38567020 | Indicator Knob Large 5053-910/930, 5069-910 | 51 | H-36432053 | Wheel Support - BZ |
| 26 | H-38567021 | Indicator Knob Large 5079-910, 5089-910/920/930 | 52 | H-34572002 | Cam Actuator Spring - FW |
| 26 | H-38567023 | Indicator Knob Large 5099-910/920/930 | 53 | H-42987020 | Bag Housing Cap Ass'y |
| 26 | H-38567014 | Indicator Knob Large 5109-910/920/930 | 54 | H-21447121 | Screw - Self Tapping |
| 26 | H-38567022 | Indicator Knob Large C1409-910 | 55 | H-38613029 | Air Intake/Motor Clamp 5053-910/930, 5069-910, 5079-910, 5089-910/920/930, 5099-910/920/930, 5109-910/920/930, C1409-910 |
| | | | 56 | H-38718005 | Valve Gate 5053-910/930, 5069-910, 5079-910, 5089-910/920/930, 5099-910/920/930, 5109-910/920/930, C1409-910 |
| | | | 57 | H-42242266 | Main Body Ass'y 5035-910/930, 5069-910, 5079-910, 5089-910/920/930, 5099-910/920/930, 5109-910/920/930, C1409-910 |

HOOVER Original

LEGACY & ELITE

Models U4459, U4459-940, U4461-9, U4463-9, U4465-9, U4471, U4471-9, U4471-960, U4473, U4473-080, U4483, U4485, U4507, U4507-9, U4509, U4511, U4511-9, U4533-9, U4545-900, U4557-910, U4569-910, U4581-910, U4599-900, U4601-900, U4609, U4617-910, U4641-910, U4649-910, U4671-910, U4681, U4681-910, U4689-910, U4697-910, U4701-970, U4709-910, U4713-910, U4731-910, U5069-910, U5079-910



| KEY | PART NO. | DESCRIPTION | KEY | PART NO. | DESCRIPTION |
|-----|--------------------------|---|-----|------------|---|
| | NLA | Motor Ass'y Comp. - Order H-43576211 (See Page 22-225) | 13 | NLA | Armature/Bearing Ass'y - U4465-9, U4473, U4473-080, U4485, U4507, U4507-9, U4511, U4511-9, U4545-900, U4557-910, U4569-910, U4581-910, U4641-910, U4649-910, U4681, U4689-910, U4697-910, U4731-910 |
| 1 | H-214793 DA | Screw - Self Tapping (4) | | NLA | Armature/Bearing Ass'y |
| 2 | H-38736032 | Fan Chamber - MW | 14 | H-37194034 | Motor End Cap Ass'y - MW |
| 3 | H-38755030 | Fan | 15 | NLA | Field Ass'y - U4465-9, U4473, U4473-080, U4485, U4507, U4507-9, U4641-910, U4649-910, U4681, U4681-910, U4689-910, U4697-910 (Incl. Items 10, 11, 12, 16) |
| 4 | H-12503 EF | Rivet - Semi Tubular (2) | | NLA | Field Ass'y (Incl. Items 10, 11, 12, 16) |
| 5 | NLA | Motor Housing Ass'y (Incl. Items 4, 6, 8, 9) | | NLA | Field Ass'y - U4511, U4511-9, U4545-900, U4557-910 |
| 6 | H-41311011 | Motor Brush Holder (2) | | NLA | Field Ass'y - U4569-910, U4581-910, U4731-910, U5069-910, U5079-910 (Incl. Items 10, 11, 12, 16) |
| 7 | H-41311011 H-47318024 | Motor Brush Ass'y (2) Motor Brush Ass'y (2) - U4511, U4511-9, U4545-900, U4557-910, U4569-910, U4581-910, U4731-910 | | | |
| 8 | H-24152808 | Bearing | 16 | H-47171018 | Lamp Holder Ass'y |
| 9 | H-37913020 | Bearing Retainer | 17 | H-21312793 | Washer |
| 10 | H-36914004 | Switch Bus Bar | 18 | H-38783014 | Molded Duct Seal |
| 11 | H-39116005 | Attachment Terminal | 19 | H-41311011 | Motor Brush Holder Ass'y - (Incl. Items 6, 7) |
| 12 | H-28218043 | Switch Ass'y | | | |



Standard Fit Tools (w/Retention Pin) (Shown)

| KEY | PART NO. | DESCRIPTION |
|-----|------------|---|
| 1 | H-43453043 | Extension Tube - AAP |
| 2 | H-43414017 | Multi-Purpose Brush - AAP |
| 3 | H-38617018 | Crevice Tool - AAP |
| 4 | H-32288004 | Hose Connector - AAP |
| 5 | H-38671018 | Hose - Less Ends - AAP |
| 6 | H-32156010 | Hose Sleeves |
| 7 | H-36171025 | Hose Connector - Curved - AAP |
| 8 | H-43466058 | Hose Connector - Curved - AAP (Incl. Item 9) |
| 9 | H-36153021 | Latch Ring |
| 10 | H-43434210 | Hose Comp. |
| 11 | H-38656016 | Convertor Body - AAP |
| | H-43414071 | Furniture Nozzle - AAP |
| | H-43414087 | Dusting Brush - AAP |
| | H-43414088 | Wall/Floor Brush - AAP |

Friction Fit Tools (w/o Retention Pin) (Not Shown)

| PART NO. | DESCRIPTION |
|------------------------|---|
| H-38634074 | Extension Tube - AAP |
| Not Available | Multi-Purpose Brush - AAP |
| H-38617023 | Crevice Tool - AAP |
| H-32288004 | Hose Connector - AAP |
| H-38671025 | Hose - Less Ends - AAP |
| Not Available | Hose Sleeves |
| Not Available | Hose Connector - Curved - AAP |
| H-39454053 (Hand Grip) | Hose Connector - Curved - AAP (Incl. Item 9) |
| Not Available | Latch Ring |
| H-43434225 | Hose Comp. |
| H-38656016 | Convertor Body - AAP |
| H-38614026 | Furniture Nozzle - AAP |
| H-43414129 | Dusting Brush - AAP |
| H-43414135 | Wall/Floor Brush - AAP |