

Lightweight Commercial

Model C1411-930

Ref. No.	Part No.	Description
1	37911079	Handle Cap - ABE
2	46368005	Attach. Cord - AAW
3	38335020	Bag Strap Spring - AY
4	36425071	Bag Strap - ABE
5	48663149	Upper Handle Assm. - ABE
6	43434237	Hose Assm. - ABX/AG
7	36433098	Tool Rack - ABE
8	43414145	Dusting Brush - AG
9	38634078	Extension Tube
10	39464005	Lower Handle - ABE
11	36425067	Jacket Support - Upper - ABE
12	43674204	Outer Jacket - Sewn - AAG
13	38456036	Switch Control Rod - ABB
14	40201085	Nut & Bolt
15	38614029	Furniture Nozzle - AG
16	38617024	Crevice Tool - AG
17	36425068	Jacket Support - Lower - ABE
18	38522011	Rear Wheel - AG
19	31531008	Rear Wheel Shaft - AY
20	36131056	* Wheel Retainer
21	N/A	Wheel - AG - (Use 43248054)
22	43248059	Front Wheel Assem. (Incl. It. 21,43,44)
23	34572002	Cam Actuator Spring
24	42243002	Main Body Assm. (Incl. Items 18,19,27,41)
25	38567008	Cam Actuator - MW
26	38421070	Indicator Knob - ABE
27	38458022	Handle Release Lever
28	38784016	Seal

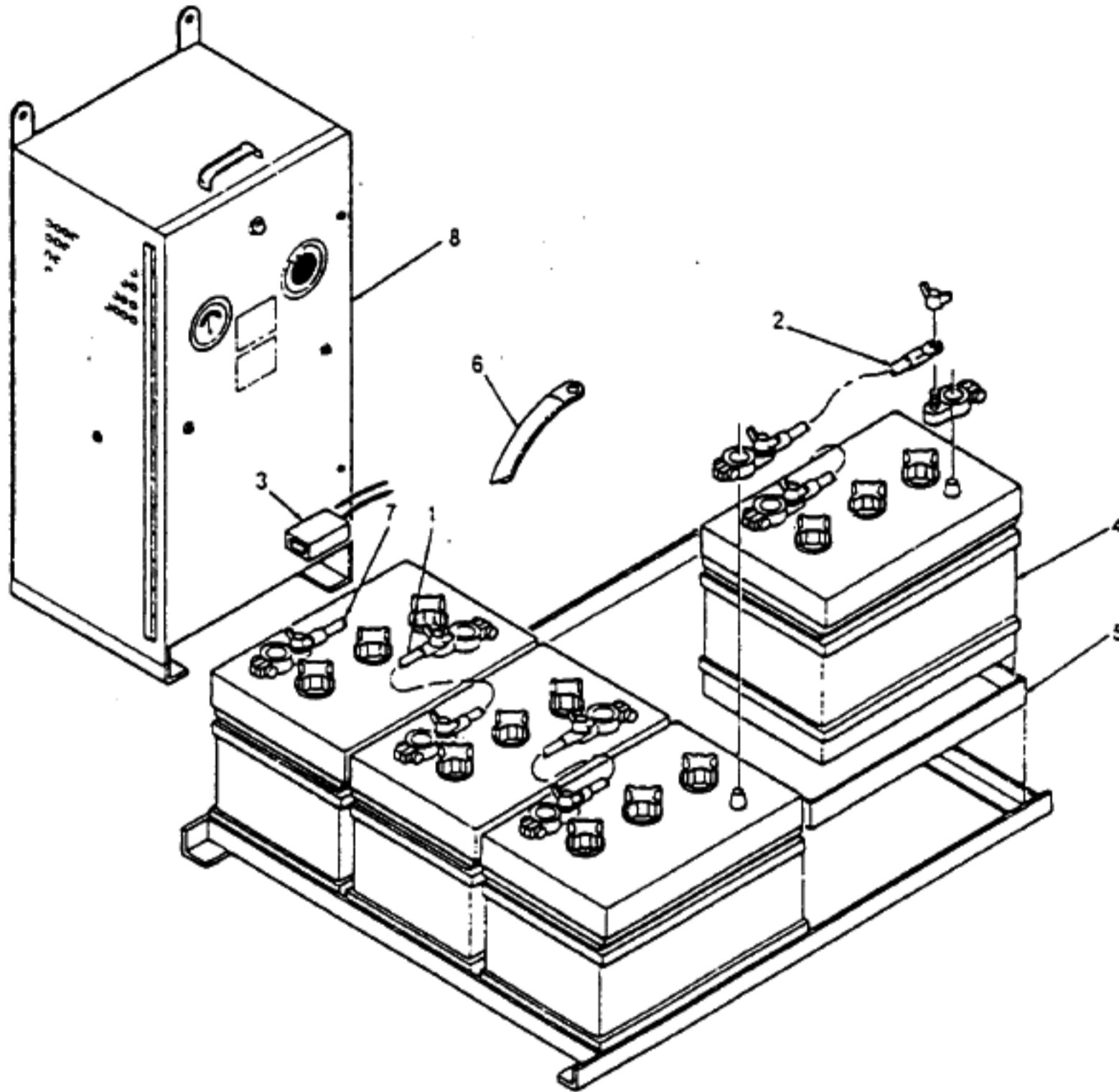
Ref. No.	Part No.	Description
29	36131057	Motor Retainer Cap - R.H.
30	21447217	* Screw - Self Tapping
31	4010001A	Throw Away Bag (3 Pk.)
	43667034	Cloth Reusable A Bag
32	38351013	Spring
33	37257064	Door Assm. - AAW (Incl. Items 3
34	38785011	+ Seal
35	21362006	* Speed Nut
36	42252357	Hood Assm. - AAW
37	37246129	Panel - AAW
38	36131095	+ Motor Retainer Cap - L.H.
39	43576141	Motor - (P - 218)
40	38528027	+ Belt (use 38528040)
41	13261AY	* Rug Nozzle Rib Shoe
42	38563011	Nozzle Height Adj. Cam
43	38452089	+ Lever- Use 43248054 wheel assem.
44	32563012	+ Wheel Shaft - AY (Use 43248054)
45	48414079	Agitator Comp. - (P - 218)
46	37245108	Bottom Plate
47	21447121	+* Screw - Self Tapping
48	21312787	* Washer

ITEMS NOT ILLUSTRATED

40201151	Hardware Kit - (inc. items 18, 19, 27, 41, 48)
----------	--

PACKAGING MATERIAL

56711129	+ Assm. Instruction Sheet
56711131	+ Oper. Instruction Sheet
59814064	+ Carton
58346004	+ Front Support
58353009	+ Rear Support
58347019	+ Cleaning Tool Carton



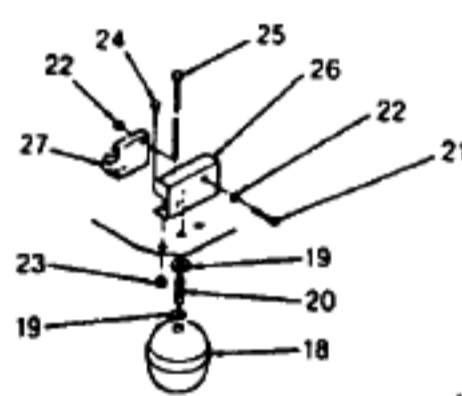
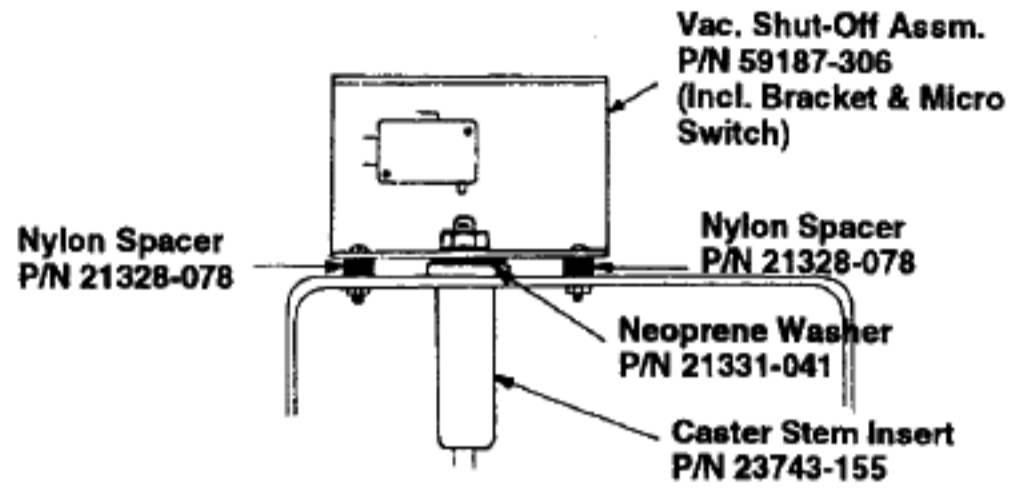
Ref. No.	Part No.	Description
1	59187115	Short Cable (4)
2	59187116	Long Cable (1)
3	59187217	Charger Plug w/Ends
4	27163001	+ Battery (Warehouse)
5	59187119	Battery Tray
6	59187117	Battery Cable - Positive
7	59187118	Battery Cable - Negative
8	27149001	+ Charger (Warehouse)

Solution & Recovery Tanks

Models C6075, C6077

Ref. No.	Part No.	Description
1	59187141	Plug Female (2)
2	27212030	Motor - Vac 36 Volt
	27295050	Motor Housing (Upper)
3	59187139	Lint Filter (Snaps on Motor)
4	38781031	+ Foam Gasket
5	59187204	Vac Pot. (incl. Item 6)
6	59187305	Filter Screen
7	38781031	+ Foam Gasket
8	59187198	Hose - Vac
10	59187136	Elbow 90°
11	59187137	Tube-6"
13	59187197	+ Tank - Only
	59187203	Recovery Tank Assm.
14	59187127	Knob
15	59187126	Lid
16	59187197	+ Tank - Only
	59187205	Solution Tank Assm.
17	59187107	Dump Valve
18	59187156	Float
19	59187040	+ Knurled Nut
20	23743155	Threaded Rod w/Nut (See Note)
21	59187038	+* Screw (2)
22	59187039	Nut
23	59187037	Brass Nut (2)
24	59187036	Brass Screw (2)
25	59187225	+ Brass Rod
26	59187153	Bracket
27	59187154	Micro Switch
28	59187142	+ Plug - Male
29	59187128	Tank Adapter

NOTE: Units produced past Oct. 1990 - replaced Item 20 Threaded Rod with Plastic Version #23743155 update units incorporating Brass Threaded Rods to Plastic



ITEMS NOT ILLUSTRATED

59187389 Dump Hose Attachment

