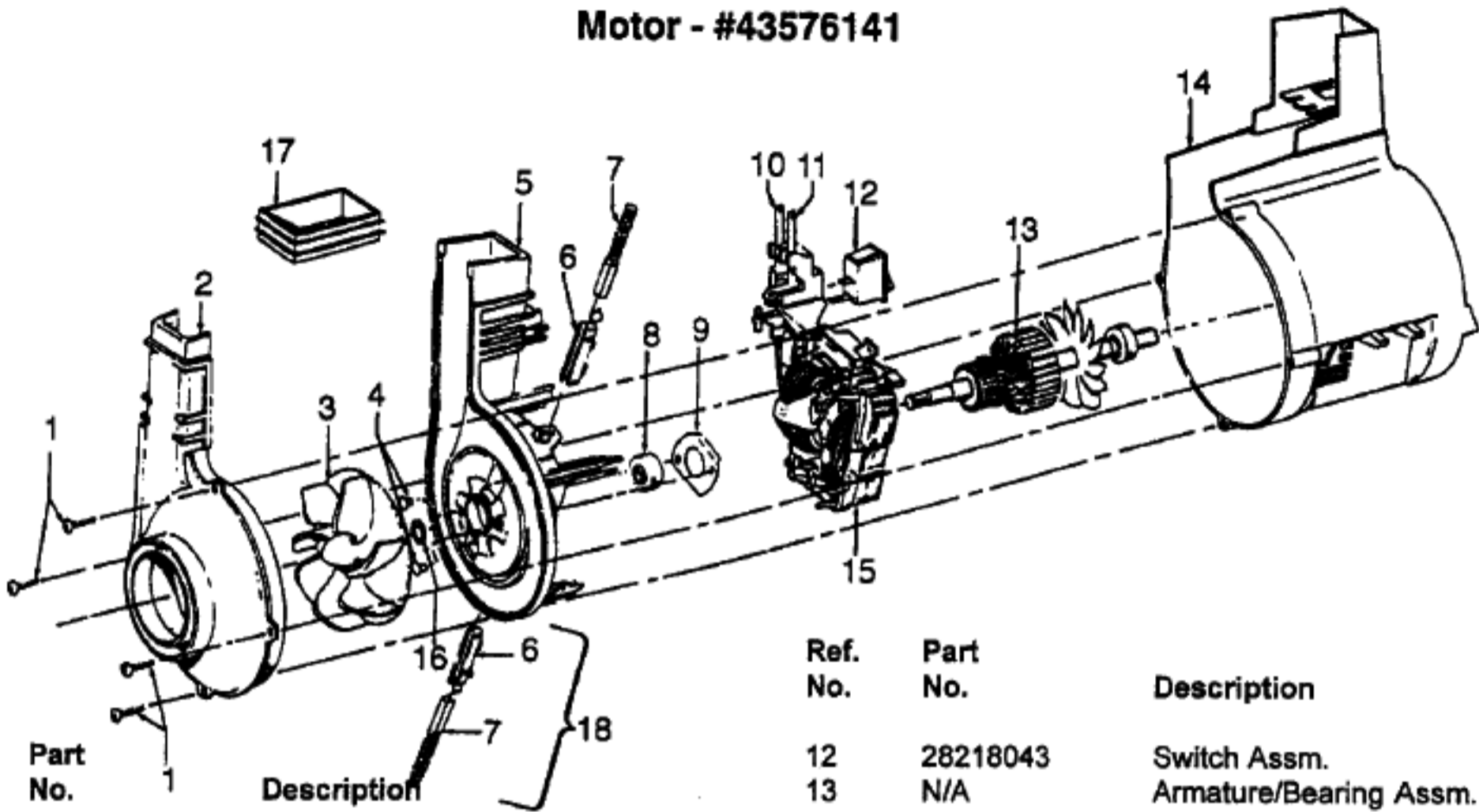


Commercial Cleaner

Model C1415

Ref No.	Part No.	Description	Ref No.	Part No.	Description
1	48663179	Upper Handle Comp.	26	40201085	Nut & Bolt Assembly
2	38421005	Switch Button - ACC	27	43576141	Motor Assembly (P. 221)
3	48663164	Switch Rod - Upper (Incl. It. 1,2, 4,5)	28	38522011	Wheel - Rear - AG (2)
4	38335020	Spring	29	38784016	Seal
5	36425071	Bag Strap	30	38458022	Handle Release Lever
6	46368005	Attachment Cord	31	31531008	Wheel Shaft - AY (2)
7	36425067	Bag Support - Upper	32	38528027	+ Belt (use 38528040)
8	43681010	Bag Assem. Comp.	33	13261AY	* Rib Shoe
9	35173001	Bag Expander - AG	34	42242270	Main Body Assem. - AG (Incl. It. 30, 33, 34, 35)
10	34112015	Seal	35	48414081	Agitator (P.221)
11	36426045	Dirt Cup Support	36	21447121	+* Screw Self Tapping
12	34123020	Gasket	37	37245017	Bottom Plate
13	36155011	Latch	38	43248055	Front Wheel Assembly
14	38775064	Dirt Cup	39	21312787	Washer
15	43681015	Bag Assem. Comp w/ Dirt Cup	40	38458046	Switch Rod Lower
16	40201085	Nut & Bolt Assembly			
17	48669017	Lower Handle	Items Not Illustrated		
18	36426050	Dirt Cup Support - Lower			
19	37257257	Door - AG		21447072	Dirt Cup Support Screws (2 Req'd)
20	38351013	Spring			
21	42247016	Panel	Packaging Material		
22	42252A94	Hood Assembly			
23	21447217	* Screw Self Tapping			
24	36131057	Motor Retainer Cap - RH		58175152	+ Carton
25	36131090	Motor Retainer Cap - LH		56511A97	Owners Manual

Motor - #43576141



Ref. No.	Part No.	Description
	43576141	Motor Assm. Comp.
1	N/A	Screw-Self Tapping (4)
2	38736033	Fan Chamber - MW
3	38755030	Fan
4	N/A	Rivet - Semi Tubular (2)
5	N/A	Motor Housing Assm.
6	N/A	Motor Brush Holder (2)
7	N/A	Motor Brush Assm. (2)
8	N/A	Bearing
9	N/A	Bearing Retainer
10	36914004	Switch Bus Bar
11	39116005	+ Attachment Terminal

Ref. No.	Part No.	Description
12	28218043	Switch Assm.
13	N/A	Armature/Bearing Assm.
14	37194046	Motor End Cap Assm.
15	N/A	Field Assm.
16	N/A	Washer
17	38783020	Duct Seal
18	41311015	Motor Brush Holder Assm.

ITEMS NOT ILLUSTRATED

- 38781013 + Duct Seal
- 54821001 Tape (Roll)

Agitator - #48414079

Ref. No.	Part No.	Description
	48414079	Agitator Assm. Comp. - AG
1	36423016	Thread Guard - RH
2	43267002	Agitator Bearing Assm. (2)
3	21347003	Conical Washer (2)
4	36422022	Agitator End (2)
5	48414050	+ Agitator Body
6	32724013	+ Agitator Shaft
7	36423017	Thread Guard - LH - AG

