

| Ref. No. | Part No. | Description |
|----------|----------|---------------------------|
| 1 | 46383127 | Cord - AAW - 50' |
| 2 | 36216002 | Cord Protector - AG |
| 3 | 21465314 | * Screw |
| 4 | 38421012 | Switch Button - AG |
| 5 | 37258110 | Switch Cover - AG |
| 6 | 281770KD | Switch |
| 7 | 27666702 | * Terminal |
| 8 | 37214070 | Switch Case |
| 9 | 48969 | * Wire Nut |
| 10 | 27479307 | * Cable Tie |
| 11 | 48644106 | Handle Comp. - AX |
| 12 | 39454070 | Handle Grip - BU |
| 13 | 21256094 | * Rivet |
| 14 | 39441016 | Cord Clip - AG |
| 15 | 48644114 | Upper Handle - AX |
| 16 | 36913007 | Insulator |
| 17 | 47155005 | Connector Cord |
| 18 | 46321033 | Connector Cord & Tubing |
| 19 | 32284023 | Lower Handle - AX |
| 20 | 21631301 | Handle Bolt |
| 21 | 32277021 | Nut |
| 22 | 13704 | * Washer |
| 23 | 31728022 | Tubing |
| 24 | 43675187 | Outer Bag Comp. - AAW/AG |
| 25 | 38336019 | Spring |
| 26 | 41128011 | Bag Clip & Spring - AG |
| 27 | 43674221 | Cloth Bag - AG |
| 28 | 15854EF | * Nut |
| 29 | 21765159 | * Screw |
| 30 | 41424011 | Bag Flange & Gasket |
| 31 | 43574193 | Motor (P.22) |
| 32 | 42251325 | Hood - AAW |
| 33 | 21447211 | +* Screw |
| 34 | 34287012 | Baffle |
| 35 | 41119009 | Retainer & Sleeve |
| 36 | 36231042 | Furniture Guard - BU |
| 37 | 32242004 | * Rivet |
| 38 | 21447229 | * Screw |
| 39 | 13730 | * Lock Ring |
| 40 | 161509AY | Bail Shaft |
| 41 | 38452051 | Nozzle Adj. Lever - AG |
| 42 | 41416072 | Bail - AG |
| 43 | 38426080 | Foot Pad - AG |
| 44 | 43137047 | Handle Control Lever - AG |
| 45 | 35463011 | Handle Plate |
| 46 | 37954001 | Bail Cover Plate - AG |

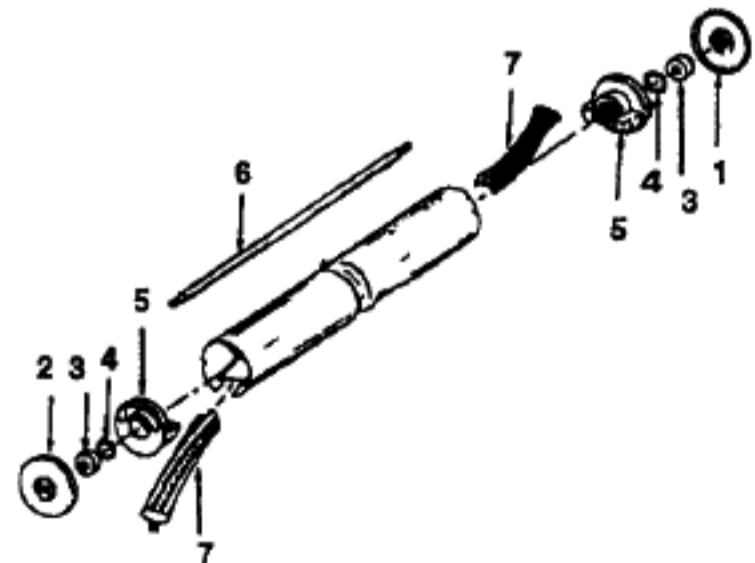
Agitator 48414021

| Ref. No. | Part No. | Description |
|----------|----------|-------------------|
| 1 | 12985AY | Thread Guard - RH |
| 2 | 48495AY | Thread Guard - LH |
| 3 | 43267002 | Bearing |
| 4 | 21347003 | * Washer |
| 5 | 41435070 | End |
| 6 | 32724008 | Shaft |
| 7 | 48445001 | Agitator Brush |

| Ref. No. | Part No. | Description |
|----------|----------|--------------------------|
| 47 | 21481273 | * Screw |
| 48 | 47450AY | Pivot Pin |
| 49 | 11735 | Roller Kit |
| 50 | 48409FW | Spring |
| 51 | 19907 | Bag Flange Clamp Lever |
| 52 | 161513 | Spring |
| 53 | 34252005 | * Yoke |
| 54 | 32182001 | * Wheel Retainer |
| 55 | 38521019 | Rear Wheel - AG |
| 56 | 43263003 | Cam Follower |
| 57 | 41431013 | Wheel Shaft |
| 58 | 21312806 | * Washer |
| 59 | 35434040 | Axle Retainer |
| 60 | 21447229 | * Screw |
| 61 | 47457AY | Wheel Shaft |
| 62 | 37245081 | Bottom Plate - AG |
| 63 | 21312724 | * Washer |
| 64 | 34791AG | Carrier Wheel |
| 65 | 21447020 | * Screw |
| 66 | 48422 | * Rivet |
| 67 | 21312781 | * Washer |
| 68 | 36153006 | Latch |
| 69 | 21447229 | Screw |
| 70 | 34111001 | * Support Pad |
| 71 | 48414021 | Agitator - 2B |
| 72 | 44783AG | Belt |
| 73 | 34784021 | Agitator Retainer Spring |
| 74 | N/A | |
| 75 | N/A | |
| 76 | 42242269 | Main Body - AG |
| 77 | 12559FW | Spring |
| 78 | 34665007 | Pin Retainer |
| 79 | 21631302 | Handle Bolt |

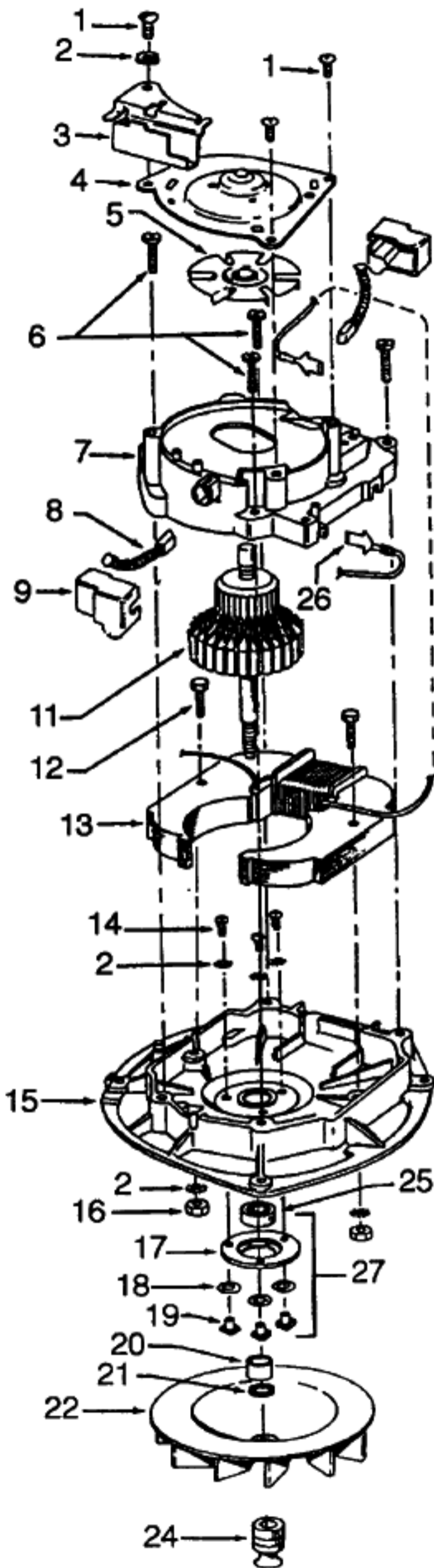
PACKAGING MATERIAL

| | |
|----------|------------------------|
| 56711134 | + Assembly Inst. Sheet |
| 56711136 | + Oper. Inst. Folder |
| 59814067 | Carton |
| 58343025 | Front Support |
| 58366012 | Rear Support |



Motor

**Models C1065, C1067, C1069, C1085, C1401
C1405, C1425, C1429, U7021, U7063, U7077, U7079**



**Motor #43574192
1-Speed w/Guide**

**Motor #43574193
1-Speed w/o Guide**

| Ref. No. | Part No. | Description |
|----------|----------|----------------------|
| 1 | 45533AY | * Screw |
| 2 | 14062 | * Washer |
| 3 | 41961009 | Indicator Guide |
| 4 | 42934002 | Upper Bearing |
| 5 | 38755004 | Vent Fan |
| 6 | 161535 | * Screw |
| 7 | 19857 | + Upper Motor Casing |
| 8 | 47318012 | Carbon Brush |
| 9 | 36315003 | Brush Insulator |
| 11 | 44768051 | Armature |
| 12 | 45118 | * Bolt |
| 13 | 45412015 | Field Coil |
| 14 | 21772501 | * Screw |
| 15 | 42193006 | Lower Motor Case |
| 16 | 15673 | * Nut |
| 17 | 32184003 | Retainer |
| 18 | 19772 | * Washer |
| 19 | 45251 | Nut |
| 20 | 31731002 | Spacer |
| 21 | 166563 | * Washer |
| 22 | 38755011 | Fan - Poly |
| 24 | 43251003 | Motor Pulley |
| 25 | 24152807 | Bearing |
| 26 | 14320 | * Terminal |
| 27 | 43267006 | Bearing Kit |

ITEMS NOT ILLUSTRATED

35276006 Indicator Guide Spring