

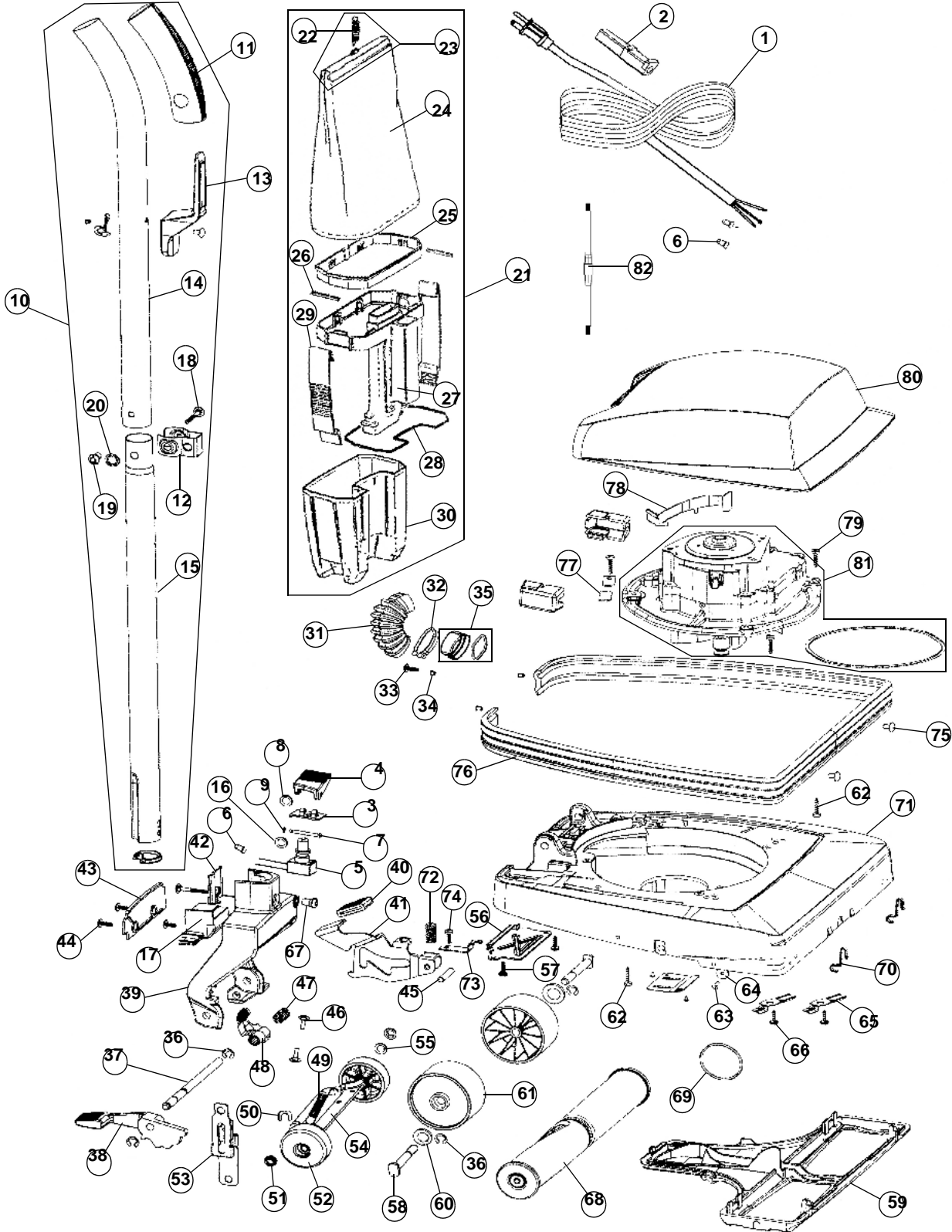


Guardisman™

COMMERCIAL UPRIGHT

ASSEMBLY SCHEMATIC

[MODEL NO.](#)
C1433010





Guardzman™

COMMERCIAL UPRIGHT

PART LISTING

[MODEL No.](#)

C1433010

ITEM	PART NUMBER	MODELS TO FIT	PART DESCRIPTION
1	46583009	C1433010	POWER CORD - 50'
2	36215025	C1433010	CORD PROTECTOR
3	35217006	C1433010	MOUNTING BRACKET
4	38424003	C1433010	SWITCH PEDAL
5	28212017	C1433010	SWITCH
6	048969--	C1433010	WIRE NUT
7	613802AY	C1433010	SHAFT
8	012560--	C1433010	NUT
9	24735022	C1433010	CIRCULAR CLIP
10	48646093	C1433010	HANDLE ASSEMBLY - CHROMIUM PLATE
11	39454070	C1433010	HANDLE GRIP - TRANSPARENT
12	34785017	C1433010	CORD RETAINER
13	39441016	C1433010	CORD CLIP
14	48643091	C1433010	UPPER HANDLE - CHROMIUM PLATE ORDER #10 48646093
15	48631134	C1433010	LOWER HANDLE - CHROMIUM PLATE
16	21354155	C1433010	LOCK WASHER
17	36913026	C1433010	INSULATOR - STRAIN RELIEF
18	21631302	C1433010	HANDLE BOLT
19	32277008	C1433010	HANDLE CLAMP NUT
20	013704--	C1433010	LOCK WASHER
21	43675188	C1433010	BAG AND DIRT CUP ASSEMBLY - BLACK
22	38335009	C1433010	SUPPORT SPRING
23	41128021	C1433010	BAG CLIP AND SUPPORT SPING
24	43667056	C1433010	CLOTH BAG ASSEMBLY - BLACK
25	35173001	C1433010	BAG EXPANDER
26	34122009	C1433010	SEAL
27	41427006	C1433010	SUPPORT AND BELLOWS
28	34123020	C1433010	GASKET
29	36155011	C1433010	LATCH - BLACK
30	38775001	C1433010	DIRT CUP
31	38673001	C1433010	BELLOW
32	049044--	C1433010	CLAMP BAND
33	017206--	C1433010	SCREW
34	015854EF	C1433010	NUT
35	41424011	C1433010	BAG FLANGE WITH SEALANT



Guardman™

COMMERCIAL UPRIGHT

PART LISTING

[MODEL No.](#)

C1433010

ITEM	PART NUMBER	MODELS To FIT	PART DESCRIPTION
36	013730--	C1433010	LOCK RING
37	161509AY	C1433010	BAIL / HANDLE FORK SHAFT
38	38452051	C1433010	NOZZLE ADJUSTMENT LEVER - BLACK
39	41416051	C1433010	BAIL / HANDLE FORK
40	38426080	C1433010	FOOT PAD - BLACK
41	43137047	C1433010	HANDLE LEVER - BLACK
42	35463011	C1433010	HANDLE RETAINER PLATE
43	37954004	C1433010	BAIL COVER PLATE
44	23187363	C1433010	SCREW PACKAGE
45	047450AY	C1433010	PIVOT PIN
46	12002663	C1433010	HANDLE ROLL PIN
47	048409FW	C1433010	SPRING - BAG FLANGE CLAMP
48	019907--	C1433010	BAG FLANGE CLAMP LEVER
49	161513--	C1433010	SPRING - HEIGHT AJUSTMENT YOKE
50	34252005	C1433010	YOKE
51	32182001	C1433010	WHEEL RETAINER
52	38521019	C1433010	REAR WHEEL
53	43263003	C1433010	CAM FOLLOWER - PLASTIC
54	41431013	C1433010	WHEEL SHAFT AND SUPPORT
55	21312806	C1433010	WASHER
56	35434040	C1433010	AXLE / BAG FLANGE RETAINER
57	017001FW	C1433010	SCREW - SELF TAPPING
58	047457AY	C1433010	FRONT WHEEL SHAFT
59	37245081	C1433010	BOTTOM PLATE - PLASTIC
60	21312724	C1433010	WASHER
61	034791AG	C1433010	FRONT WHEEL
62	21447020	C1433010	SCREW
63	048422--	C1433010	RIVET
64	21312781	C1433010	SUPPORT WASHER
65	36153006	C1433010	LATCH
66	017001FW	C1433010	SCREW - SELF TAPPING
67	32277008	C1433010	HANDLE CLAMP NUT
68	48414021	C1433010	AGITATOR / BRUSH ROLL ASSEMBLY
69	044783AG	C1433010	BELT
	AH20075	C1433010	BELT - 2 PACK
70	34784021	C1433010	RETAINING SPRING - AGITATOR / BRUSH ROLL



Guardsman™

COMMERCIAL UPRIGHT

PART LISTING

ITEM	PART NUMBER	MODELS TO FIT	PART DESCRIPTION
71	42242269	C1433010	MAIN BODY / NOZZLE BASE - BLACK
72	012559FW	C1433010	SPRING
73	34665007	C1433010	PIVOT PIN RETAINER
74	017001FW	C1433010	SCREW - SELF TAPPING
75	012997AW	C1433010	RIVIT - FURNITURE GUARD
76	36231042	C1433010	FURNITURE GUARD - TRANSPARENT
77	41119009	C1433010	RETAINER AND SLEEVING
78	34287012	C1433010	BAFFLE
79	21447220	C1433010	SCREW
80	42251015	C1433010	HOOD / NOZZLE COVER - BLACK
81	43574191	C1433010	MOTOR AND SEAL KIT
82	440001219	C1433010	FUSE ASSEMBLY - 8A / 250C

[MODEL No.](#)

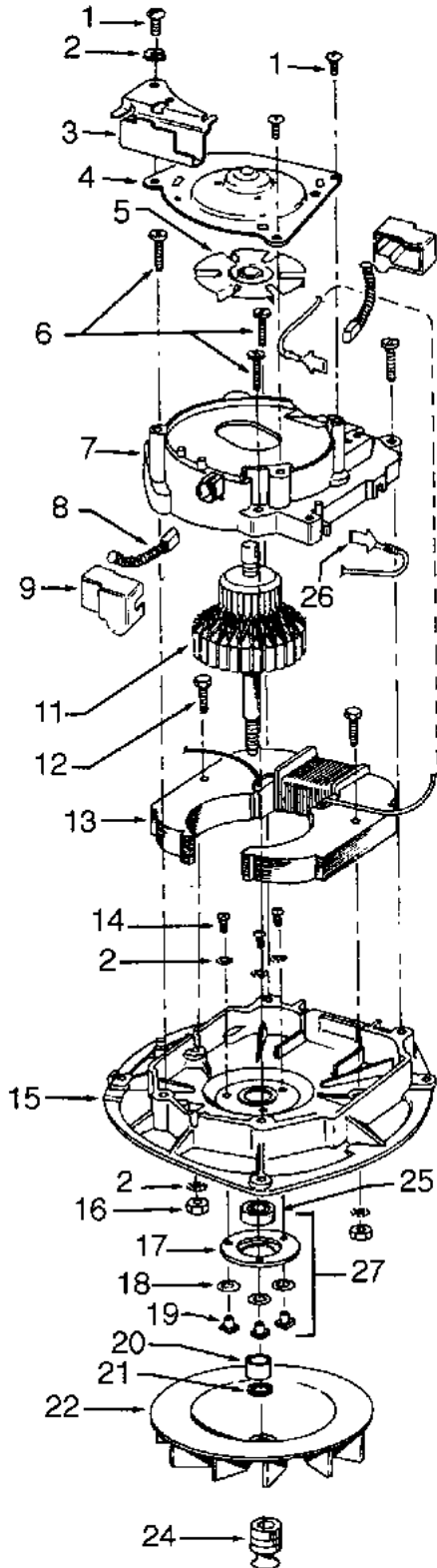
C1433010



GUARDSMAN™

Guardsman™ **COMMERCIAL UPRIGHT**

ASSEMBLY SCHEMATIC



MODEL NO.

C1433
C1433010



GUARDSMAN™

Guardsman™ **COMMERCIAL UPRIGHT**

PART LISTING

MODEL No.

C1433010

ITEM	PART NUMBER	MODELS TO FIT	PART DESCRIPTION
1	045533AY	C1433, C1433010	SCREW
2	014062--	C1433, C1433010	LOCK WASHER
3	41961009	C1433, C1433010	INDICATOR GUIDE ASSEMBLY
4	42934002	C1433, C1433010	UPPER MOTOR BEARING
5	38755004	C1433, C1433010	VENTILATING FAN
6	161535--	C1433, C1433010	SCREW
7	019857--	C1433, C1433010	UPPER MOTOR CASING
8	47318012	C1433, C1433010	MOTOR BRUSH
9	36315003	C1433, C1433010	BRUSH CAP
11	44768051	C1433, C1433010	ARMATURE
12	045118--	C1433, C1433010	FIELD BOLT
13	45412015	C1433, C1433010	FIELD COIL
14	21772501	C1433, C1433010	SCREW
15	42193006	C1433, C1433010	MOTOR CASE - LEFT
16	015673--	C1433, C1433010	HEX NUT
17	32184003	C1433, C1433010	BEARING RETAINER - 8MM
18	019772--	C1433, C1433010	LOCK WASHER
19	045251--	C1433, C1433010	NUT
20	31731002	C1433, C1433010	FAN SPACER - 8MM
21	166563--	C1433, C1433010	WASHER
22	38755011	C1433, C1433010	FAN
24	43251003	C1433, C1433010	MOTOR PULLEY
25	24152807	C1433, C1433010	MOTOR BEARING - 8MM
26	014320--	C1433, C1433010	TERMINAL
27	43267006	C1433, C1433010	BEARING ASSEMBLY COMPLETE ORDER 42193006 / MOTOR CASE - LEFT
	35276006	C1433, C1433010	INDICATOR GUIDE SPRING