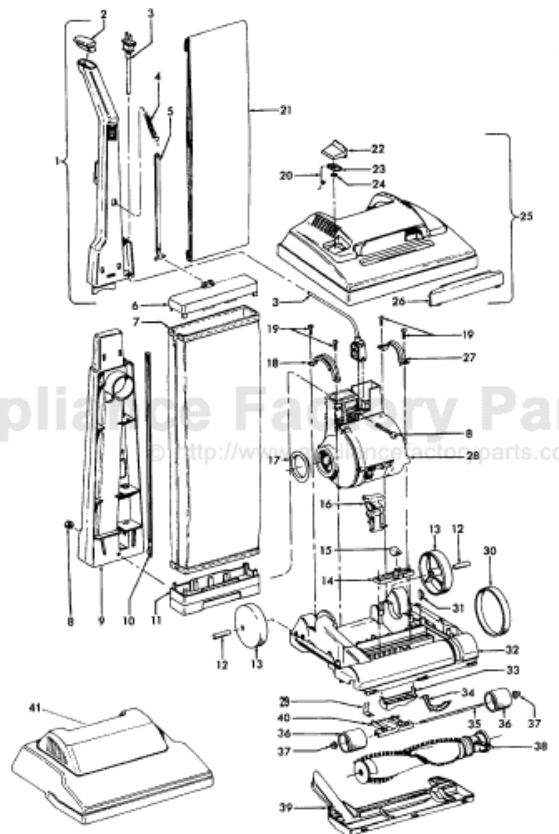


This Owner's Manual is provided and hosted by [Appliance Factory Parts](http://www.ApplianceFactoryParts.com).



HOOVER C1498 Owner's Manual

[Shop genuine replacement parts for HOOVER C1498](#)

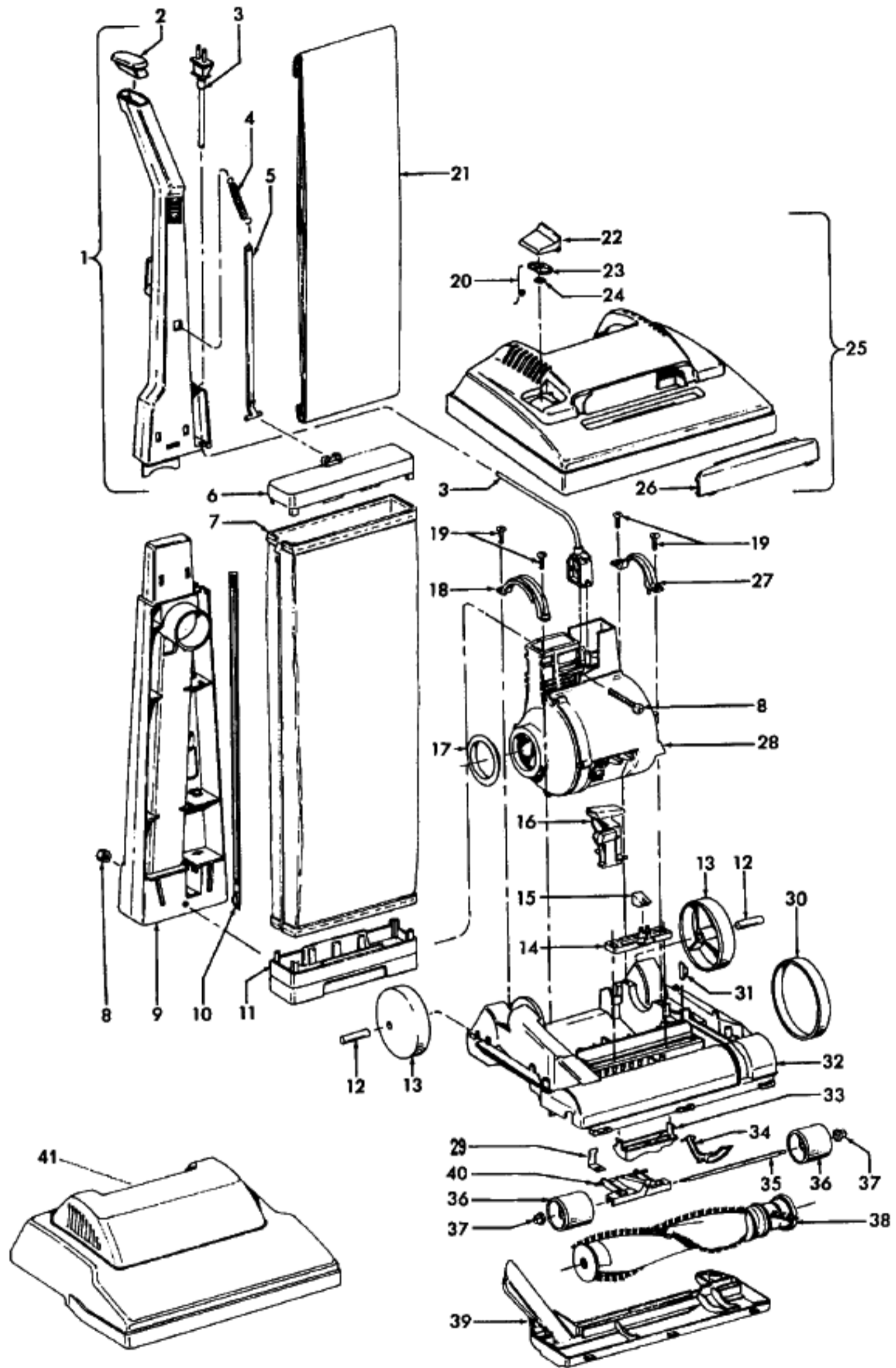


[Find Your HOOVER Vacuum Cleaner Parts - Select From 1456 Models](#)

----- Manual continues below part list -----

Available Replacement Parts for HOOVER C1498

| | |
|----------------------------|---------------------------------|
| H-38528040 | BELT VACUUM HOOVER OEM (1 PACK) |
| 48414036 | HOOVER ELITE BRUSH ROLLER |
| H-4010001A | VACUUM BAG OEM HOOVER 3 PACK |
| H-43267002 | AGITATOR BEARING ASM |

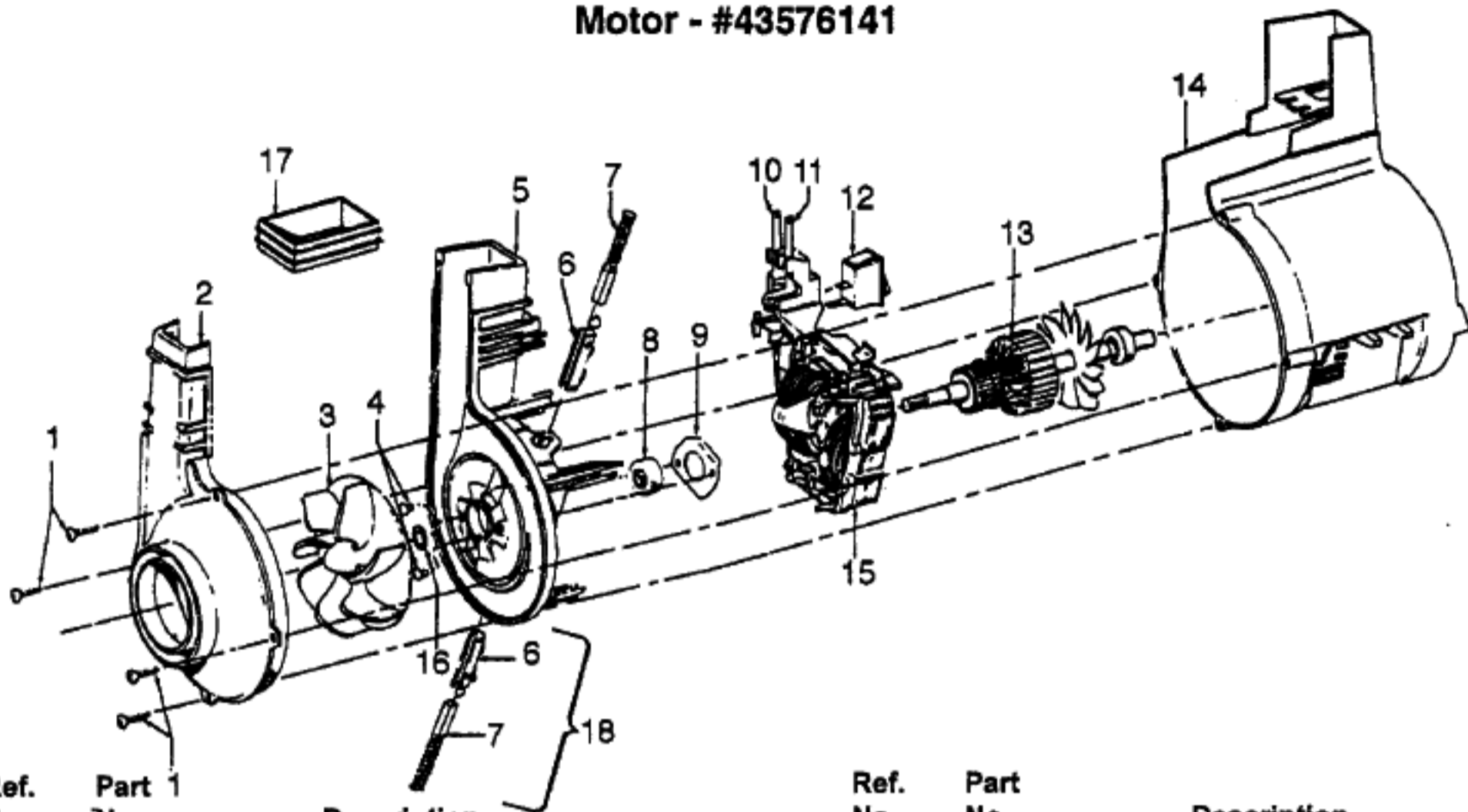


Commercial Upright Cleaner

Model C1498, C1498-020, C1499, C1499-020

| Ref. No. | Part No. | Description | Ref. No. | Part No. | Description |
|----------|-------------|---|-----------------------|----------|---|
| 1 | 48663173 | Upper Handle Assem. | 31 | 13261AY | * Rug Nozzle Rib Shoe |
| 2 | 37911079 | Handle Cap - ABE | 32 | 42242270 | Main Body Assem. (Incl. 12,13,16,31) |
| 3 | 46368007 | Attach. Cord - AG - 35 Ft. - C1498, C1499 | 33 | 38563011 | Nozzle Height Adj. Cam |
| | 46388033 | Attach. Cord - AG - 50 Ft. - C1498-020, | 34 | N/A | Lever (Use applicable Front Wheel Assembly - Item 40) |
| 4 | 38335020 | Bag Strap Spring - AY | 35 | N/A | Wheel Shaft - AY (Use applicable Front Wheel Assembly - Item 40) |
| 5 | 36425072 | Bag Strap - ABE | 36 | N/A | Wheel - AG (Use applicable Front Wheel Assembly - Item 40) |
| 6 | 36425064 | Jacket Support - Upper - MW | 37 | 36131056 | * Wheel Retainer |
| 7 | 43686214 | Outer Bag - MB - (Inc. Items 6,11) | 38 | 48414081 | Agitator (P.221) |
| 8 | 40201085 | Nut & Bolt | 39 | 37245108 | Bottom Plate - C1498, C1498-020, C1499-020 |
| 9 | 48669017 | Lower Handle - MW | | 37245017 | Bottom Plate - C1499 |
| 10 | 38458046 | Switch Control Rod - AG | 40 | 43248059 | Front Wheel Assem. (Incl. It. 34,35,36, 37) C1498, C1498-020, C1499-020 (after 11/2001) |
| 11 | 36425063 | Jacket Support - Lower - MW | | 43248055 | Front Wheel Assembly - (Inc. It. 35, 36, 37) C1499, C1499-020 (before 11/2001) |
| 12 | 31531008 | Rear Wheel Shaft - AY | 41 | 37252095 | Hood Assembly - C1499, C1499-020 (before 11/2001) |
| 13 | 38522011 | Rear Wheel - AG | ITEMS NOT ILLUSTRATED | | |
| 14 | 38567008 | Cam Actuator - KE | | 21312787 | * Washer - Rear Wheel (4) |
| 15 | 38421070 | Indicator Knob - ABE | | 56511353 | Owner Manual |
| 16 | 38458022 | Handle Release Lever | | N/A | Carton |
| 17 | 38784016 | Seal | | N/A | Front Support |
| 18 | 36131057 | Motor Retainer Cap - R.H. | | N/A | Rear Support |
| 19 | 21447217 | * Screw - Self Tapping | | | |
| 20 | 38351013 | Spring - C1498, C1498-020 | | | |
| 21 | 4010001A | Throw - Away Bag - 3 Pk. | | | |
| 22 | 37257238 | Door -ABX - C1498,C1498-020 | | | |
| | 37257143 | Door -AG - C1499-020 (after 11/2001) | | | |
| 23 | Not Applic. | Seal | | | |
| 24 | Not Applic. | * Speed Nut | | | |
| 25 | 42252A36 | Hood Assem. - ABZ - C1498, C1498-020 (incl. Items 22,26) | | | |
| | 42252B48 | Hood Assem. - AG - C1499-020 (after 11/2001) | | | |
| 26 | 37246130 | Panel - AG - C1498, C1498-020, C1499-020 (after 11/2001) | | | |
| 27 | 36131090 | Motor Retainer Cap - L.H. | | | |
| 28 | 43576141 | Motor (P.221) | | | |
| 29 | 34572002 | Cam Actuator Spring | | | |
| 30 | 38528027 | + Belt (use 38528040) | | | |

Motor - #43576141



| Ref. No. | Part No. | Description |
|----------|----------|--------------------------|
| | 43576141 | Motor Assm. Comp. |
| 1 | N/A | Screw-Self Tapping (4) |
| 2 | 38736033 | Fan Chamber - MW |
| 3 | 38755030 | Fan |
| 4 | N/A | Rivet - Semi Tubular (2) |
| 5 | N/A | Motor Housing Assm. |
| 6 | N/A | Motor Brush Holder (2) |
| 7 | N/A | Motor Brush Assm. (2) |
| 8 | N/A | Bearing |
| 9 | N/A | Bearing Retainer |
| 10 | 36914004 | Switch Bus Bar |
| 11 | 39116005 | + Attachment Terminal |

| Ref. No. | Part No. | Description |
|----------|----------------------|--|
| 12 | 28218043 28161062 | Switch Switch - C1498, C1498-020, C1499, C1499-020 |
| 13 | N/A | Armature/Bearing Assm. |
| 14 | 37194046 | Motor End Cap Assm. |
| 15 | N/A | Field Assm. |
| 16 | N/A | Washer |
| 17 | 38783020 | Duct Seal |
| 18 | 41311016 | Motor Brush Holder Assm. |

ITEMS NOT ILLUSTRATED

| | |
|----------|-------------|
| 38781013 | + Duct Seal |
| 54821001 | Tape (Roll) |

Agitator - #48414081

| Ref. No. | Part No. | Description |
|----------|----------|----------------------------|
| | 48414081 | Agitator Assm. Comp. - AG |
| 1 | 36423016 | Thread Guard - RH |
| 2 | 43267002 | Agitator Bearing Assm. (2) |
| 3 | 21347003 | * Conical Washer (2) |
| 4 | 36422022 | Agitator End (2) |
| 5 | 48414048 | + Agitator Body |
| 6 | 32724013 | + Agitator Shaft |
| 7 | 36423017 | Thread Guard - LH - AG |

