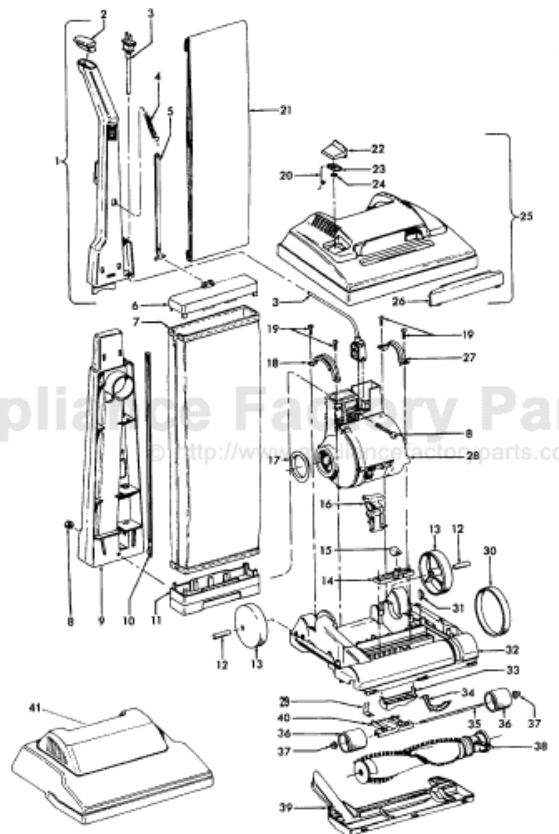


This Owner's Manual is provided and hosted by [Appliance Factory Parts](http://www.ApplianceFactoryParts.com).



HOOVER C1499 Owner's Manual

[Shop genuine replacement parts for HOOVER C1499](#)

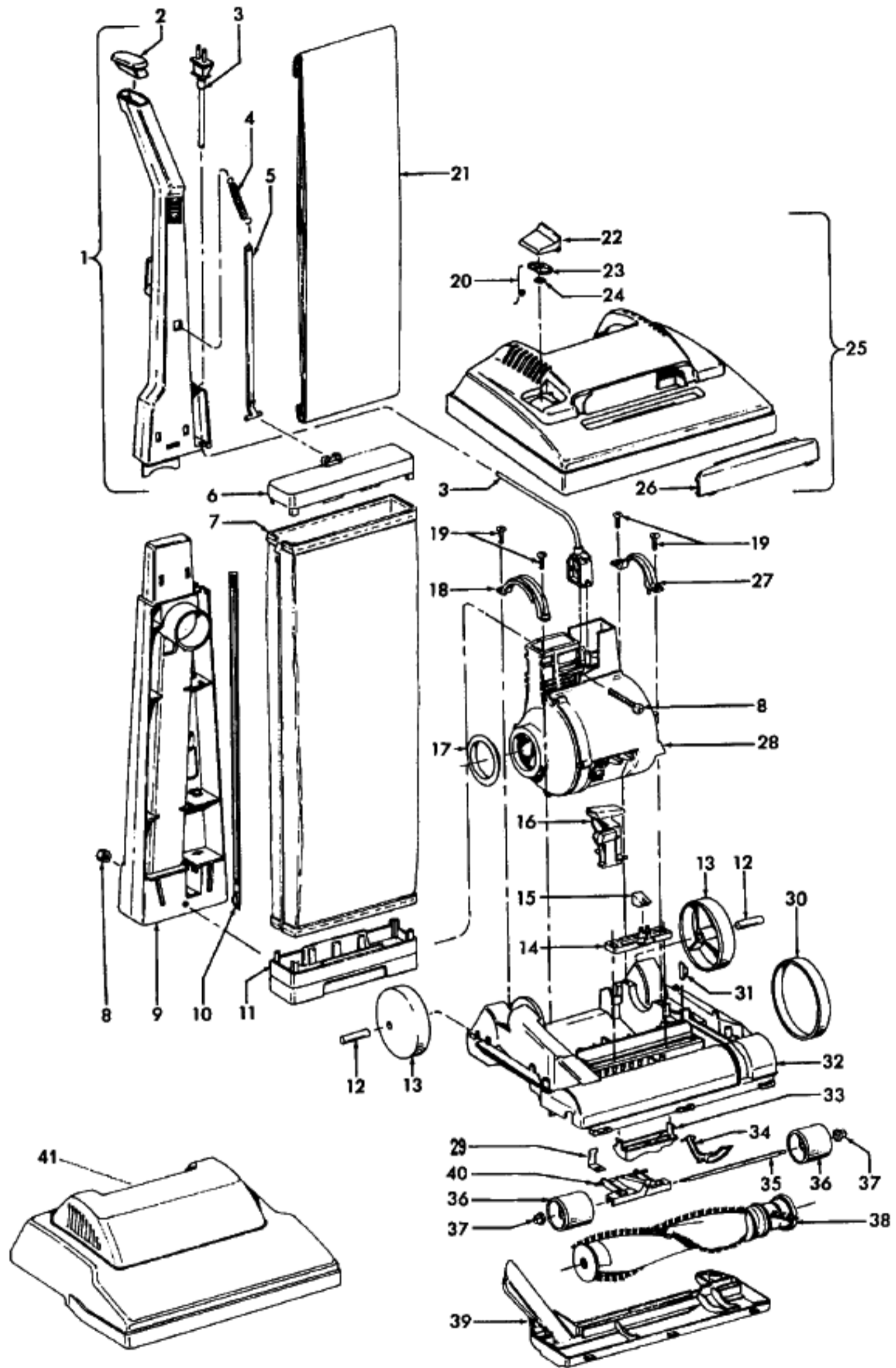


[Find Your HOOVER Vacuum Cleaner Parts - Select From 1456 Models](#)

----- Manual continues below part list -----

Available Replacement Parts for HOOVER C1499

H-38528040	BELT VACUUM HOOVER OEM (1 PACK)
48414036	HOOVER ELITE BRUSH ROLLER
H-4010001A	VACUUM BAG OEM HOOVER 3 PACK
H-43267002	AGITATOR BEARING ASM

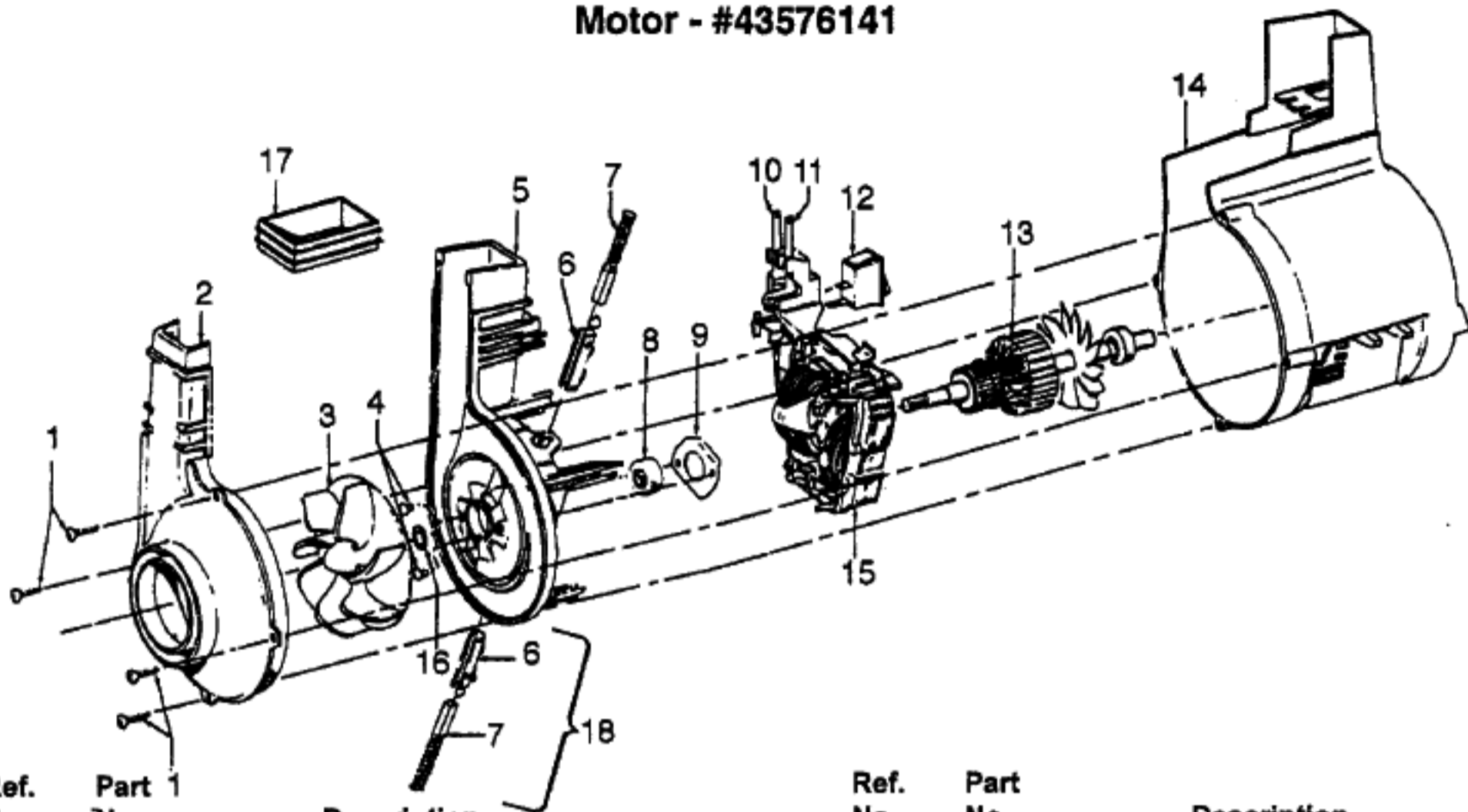


Commercial Upright Cleaner

Model C1498, C1498-020, C1499, C1499-020

Ref. No.	Part No.	Description	Ref. No.	Part No.	Description
1	48663173	Upper Handle Assem.	31	13261AY	* Rug Nozzle Rib Shoe
2	37911079	Handle Cap - ABE	32	42242270	Main Body Assem. (Incl. 12,13,16,31)
3	46368007	Attach. Cord - AG - 35 Ft. - C1498, C1499	33	38563011	Nozzle Height Adj. Cam
	46388033	Attach. Cord - AG - 50 Ft. - C1498-020,	34	N/A	Lever (Use applicable Front Wheel Assembly - Item 40)
4	38335020	Bag Strap Spring - AY	35	N/A	Wheel Shaft - AY (Use applicable Front Wheel Assembly - Item 40)
5	36425072	Bag Strap - ABE	36	N/A	Wheel - AG (Use applicable Front Wheel Assembly - Item 40)
6	36425064	Jacket Support - Upper - MW	37	36131056	* Wheel Retainer
7	43686214	Outer Bag - MB - (Inc. Items 6,11)	38	48414081	Agitator (P.221)
8	40201085	Nut & Bolt	39	37245108	Bottom Plate - C1498, C1498-020, C1499-020
9	48669017	Lower Handle - MW		37245017	Bottom Plate - C1499
10	38458046	Switch Control Rod - AG	40	43248059	Front Wheel Assem. (Incl. It. 34,35,36, 37) C1498, C1498-020, C1499-020 (after 11/2001)
11	36425063	Jacket Support - Lower - MW		43248055	Front Wheel Assembly - (Inc. It. 35, 36, 37) C1499, C1499-020 (before 11/2001)
12	31531008	Rear Wheel Shaft - AY	41	37252095	Hood Assembly - C1499, C1499-020 (before 11/2001)
13	38522011	Rear Wheel - AG	ITEMS NOT ILLUSTRATED		
14	38567008	Cam Actuator - KE		21312787	* Washer - Rear Wheel (4)
15	38421070	Indicator Knob - ABE		56511353	Owner Manual
16	38458022	Handle Release Lever		N/A	Carton
17	38784016	Seal		N/A	Front Support
18	36131057	Motor Retainer Cap - R.H.		N/A	Rear Support
19	21447217	* Screw - Self Tapping			
20	38351013	Spring - C1498, C1498-020			
21	4010001A	Throw - Away Bag - 3 Pk.			
22	37257238	Door -ABX - C1498,C1498-020			
	37257143	Door -AG - C1499-020 (after 11/2001)			
23	Not Applic.	Seal			
24	Not Applic.	* Speed Nut			
25	42252A36	Hood Assem. - ABZ - C1498, C1498-020 (incl. Items 22,26)			
	42252B48	Hood Assem. - AG - C1499-020 (after 11/2001)			
26	37246130	Panel - AG - C1498, C1498-020, C1499-020 (after 11/2001)			
27	36131090	Motor Retainer Cap - L.H.			
28	43576141	Motor (P.221)			
29	34572002	Cam Actuator Spring			
30	38528027	+ Belt (use 38528040)			

Motor - #43576141



Ref. No.	Part No.	Description
	43576141	Motor Assm. Comp.
1	N/A	Screw-Self Tapping (4)
2	38736033	Fan Chamber - MW
3	38755030	Fan
4	N/A	Rivet - Semi Tubular (2)
5	N/A	Motor Housing Assm.
6	N/A	Motor Brush Holder (2)
7	N/A	Motor Brush Assm. (2)
8	N/A	Bearing
9	N/A	Bearing Retainer
10	36914004	Switch Bus Bar
11	39116005	+ Attachment Terminal

Ref. No.	Part No.	Description
12	28218043 28161062	Switch Switch - C1498, C1498-020, C1499, C1499-020
13	N/A	Armature/Bearing Assm.
14	37194046	Motor End Cap Assm.
15	N/A	Field Assm.
16	N/A	Washer
17	38783020	Duct Seal
18	41311016	Motor Brush Holder Assm.

ITEMS NOT ILLUSTRATED

38781013	+ Duct Seal
54821001	Tape (Roll)

Agitator - #48414081

Ref. No.	Part No.	Description
	48414081	Agitator Assm. Comp. - AG
1	36423016	Thread Guard - RH
2	43267002	Agitator Bearing Assm. (2)
3	21347003	* Conical Washer (2)
4	36422022	Agitator End (2)
5	48414048	+ Agitator Body
6	32724013	+ Agitator Shaft
7	36423017	Thread Guard - LH - AG

