

Convertible

Model C1515

Ref. No.	Part No.	Description
1	42251342	Hood
2	39382003	Indicator Lens - AG
3	52115221	Hood Nameplate
4	36231151	Furniture Guard - BU
5	12997AW	* Rivet
6	168278AY	+* Washer
7	42247015	Panel - AG
8	21447211	* Screw
9	34287012	Baffle
10	41119009	Retainer & Sleeve
11	27479307	Wire Tie
12	48969	* Wire Nut
13	43574192	Motor - 1 Spd. - 6 Amp - (P -243)
14	21447229	* Screw
15	34665007	Pin Retainer
16	12559FW	Spring
17	42242277	Main Body - AG - Plastic
18	21312781	Washer
19	48422	Rivet
20	34784021	Agitator Retainer Spring
21	21631301	Handle Bolt
22	N/A	
23	48414021	Agitator
24	47457AY	Wheel Shaft
25	21312724	* Washer
26	34791AG	Carrier Wheel
27	13730	* Lock Ring
28	21447211	+* Screw
29	21447229	* Screw
30	44783AG	Belt
31	37245081	Bottom Plate - AG
32	34111001	Support Pad
33	36153006	Bottom Plate Latch
34	21447229	* Screw
35	35434040	Axle Retainer
36	32182001	* Wheel Retainer
37	38521019	Rear Wheel - AG
38	161513	Spring
39	34252005	* Yoke
40	33152003	Wheel Shaft
41	43263005	Cam Follower
42	161509AY	Bail Shaft
43	38763009	Bellows
44		
45	21447020	Screw
46	19907	Bag Flange Lever
47	48409FW	Spring
48	47450AY	Pivot Pin
49	43137047	Hdl. Control Lever - AG
50	38426080	Foot Pad - AG
51	32277021	Nut
52	13704	Washer
53	38456044	Nozzle Adj. Lever - AG
54	41416077	Bail - AG
55	46321033	Connector Cord
56	37954004	Bail Cover Plate - AG
57	21481273	Screw
58	21631302	Handle Bolt
59	35463011	Handle Plate
60	32284023	Lower Handle - AX
61	36913007	Insulator
62	48644106	Handle Comp. - AX
63	48644114	Upper Handle - AX
64	39454070	Handle Grip
65	47155005	Connector Cord
66	27479307	Wire Tie

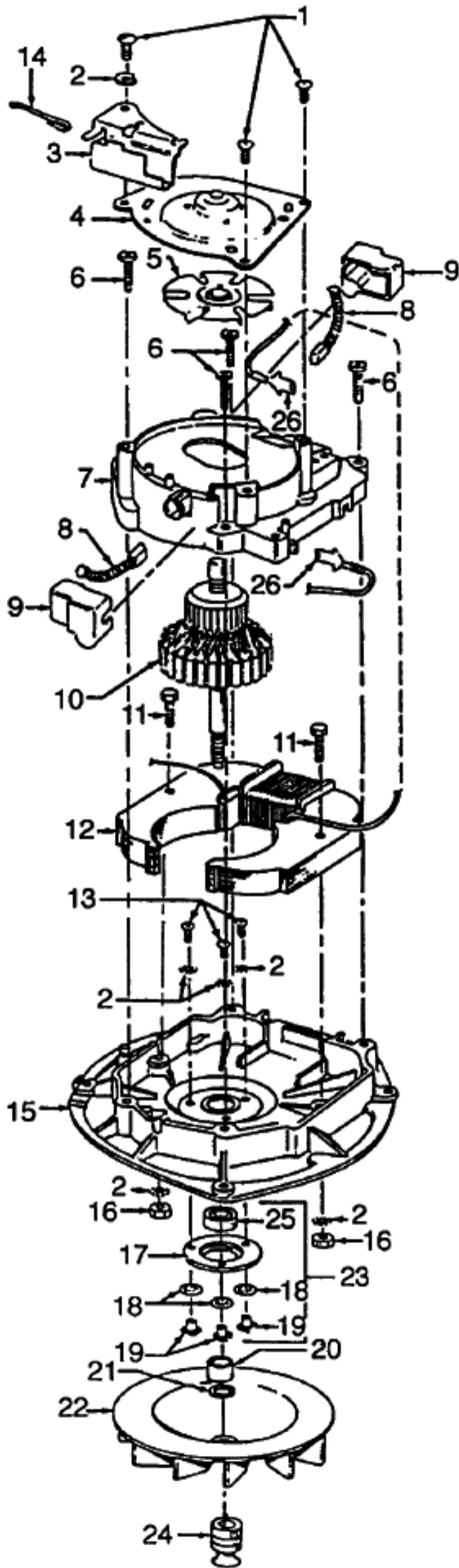
Ref. No.	Part No.	Description
67	37214070	Switch Case
68	281770KD	Switch
69	37258110	Switch Cover - AG
70	21465314	Screw
71	38421012	Switch Button - AG
72	46383134	Attach. Cord - AG - 50'
73	43675187	Bag Assem. Comp.
74	15854EF	Nut
75	17206	Screw
76	41128007	Clip & Spring Assem.
77	38336019	Jacket Support Spring
78	41424011	Bag Flange Assem.
79	43674221	Bag Assem.
80	4010100A	Throw Away Bag
81		
82		
83		
84	39441016	Cord Clip
85	21312806	Washer

PACKAGING MATERIAL

56711155	Owner Manual
58175163	Carton
58343033	Front Support
58366198	Rear Support

Agitator 48414021

Ref. No.	Part No.	Description
1	12985	Thread Guard - RH
2	48495AY	Thread Guard - LH
3	43267002	Bearing
4	21347003	Washer
5	41435070	End
6	32724008	Shaft
7	48445001	Agitator Brush



Motor 43574192
1 - Speed w/ Guide

Ref. No.	Part No.	Description
1	45533AY	+* Screw
2	14062	* Washer
3	41961009	Indicator Guide
4	42934002	Motor Casing Cap Assm.
5	38755005	Vent Fan
6	161535	* Screw
7	42195003	Upper Motor Casing
8	47318012	Carbon Brush
9	36315003	Brush Insulator
10	44768051	Armature
11	45118	* Bolt
12	45412035	Field Coil
13	21772501	* Screw
14	35276006	Indicator Guide Spring
15	42193006	Lower Motor Case
16	15673	* Nut
17	32184003	Retainer
18	19772	* Washer
19	45251	Nut
20	31731006	Spacer
21	166563	* Washer
22	38755011	Fan - Poly
23	43267006	Bearing Kit
24	43251003	Motor Pulley
25	24152807	Bearing
26	14320	* Terminal