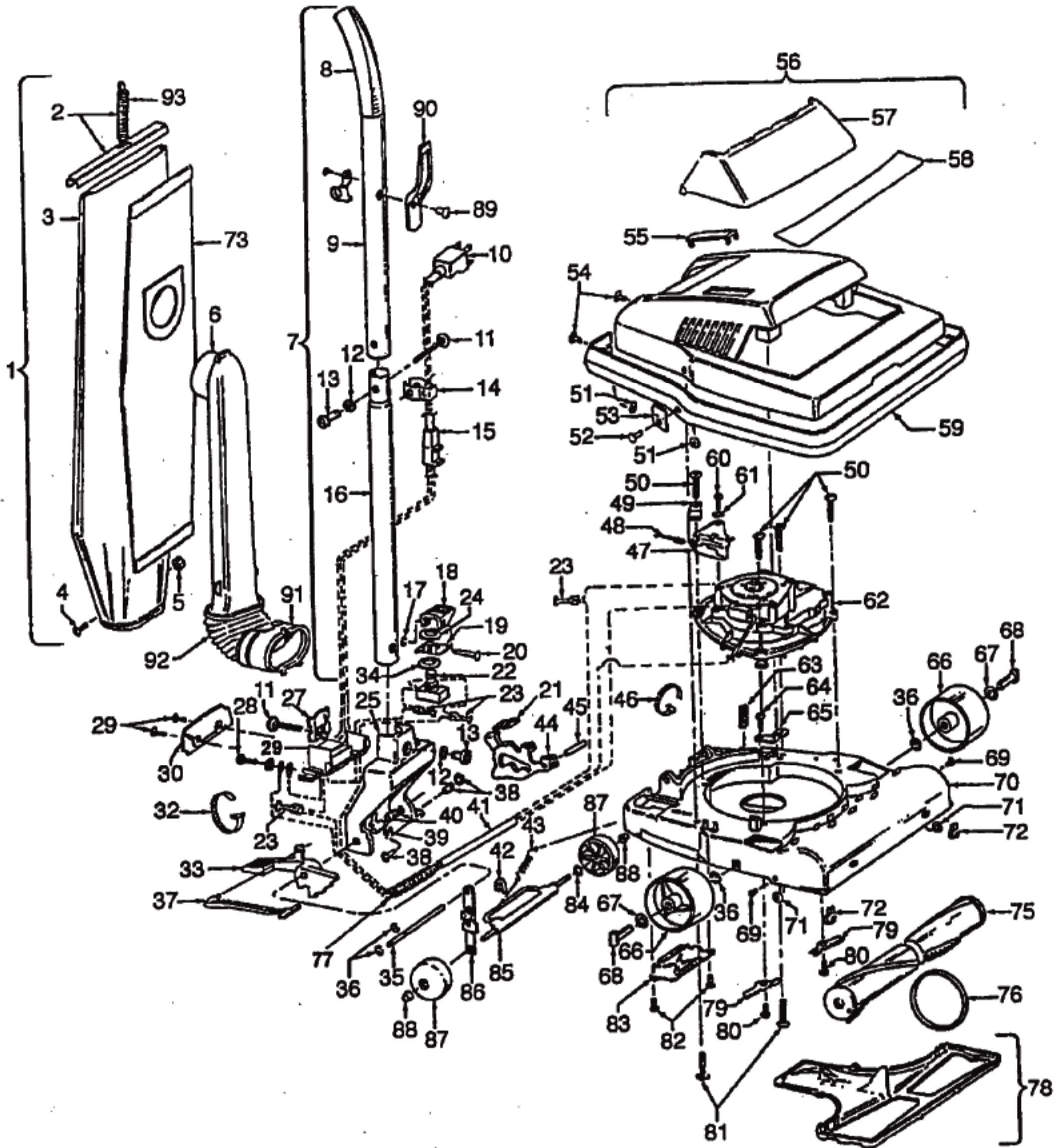


Commercial Cleaner

Model C1631



Commercial Cleaner

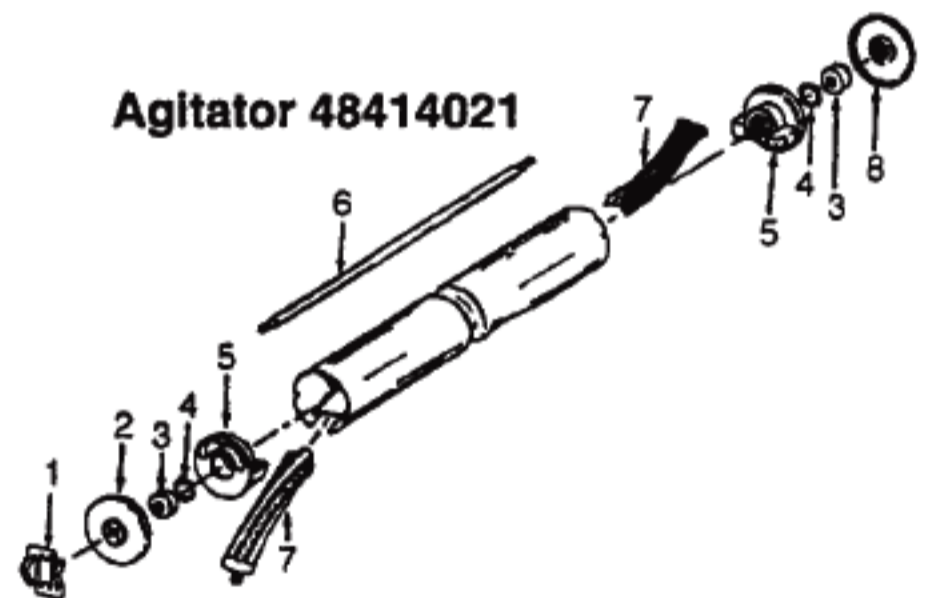
Model C1631

Ref. No.	Part No.	Description
1	43675187	Outer Bag Comp.
2	41128007	Bag Clip & Spring - AG
3	43674221	Cloth Bag - AAW/AG
4	17206	* Screw
5	15854EF	* Nut
6	38657004	Top Fill Tube
7	48646093	Handle Comp. - AX
8	39454070	Handle Grip - BU
9	48643091	Handle - Upper Half - AX
10	46583009	Attach. Cord - 50' - AAW
11	21631302	Handle Bolt (2)
12	13704	* Lock Washer (2)
13	32277008	Handle Nut (2)
14	34785017	Cord Retaining Clamp - AX
15	36215025	Cord Protector - AAW
16	48631134	Lower Handle - AX
17	24735022	* Circlip
18	38424003	Switch Pedal - PH
19	35217006	Mounting Bracket
20	613802AY	* Shaft
21	38426080	Foot Pad - AG
22	28212017	Switch
23	48969	* Wire Nut (4)
24	12560	* Switch Nut
25	41416064	Bail Assem. - (Inc. items 11, 12, 13, 27, 29, 30)
26	N/A	
27	35463011	Handle Retainer Plate
28	23187363	Screw - Self Tapping
29	36913026	Insulator / Strain Relief
30	37954004	Bail Cover Plate - AG
31	N/A	
32	27479307	* Cable Tie
33	38456044	Nozzle Adj. Lever - AG
34	21354155	Lock Washer - Special
35	161509AY	Bail Shaft
36	13730	* Lock Ring (4)
37	51151034	Indicator - AG
38	11735	Roller Detent Assem.
39	19907	Bag Flange Clamp Lever
40	48409FW	Spring
41	46515007	Bail Cord/Tubing Assem.
42	34252005	* Yoke
43	161513	Spring
44	38456050	Handle Control Lever
45	47450AY	Pivot Pin
46	27479307	* Lead Wire Tie
47	41961009	Indicator Guide
48	35276006	Indicator Guide Spring
49	41119009	Retainer & Sleeving Assem.
50	21447211	+* Screw - Self Tapping (4)
51	168278AY	+* Washer (4)
52	12997AW	* Rivet (2)
53	36951004	Retainer (2)
54	21256134	* Rivet (2)
55	39382011	Indicator Lens
56	42251336	Hood Assem. - AG
57	37246044	Panel - AG
58	52115214	+ Hood Nameplate
59	36231151	Furniture Guard - BU
60	45533AY	+* Screw
61	14062	* Lock Washer
62	40309020	Motor Assem. - (P - 195)
63	12559FW	Spring
64	21447229	* Screw - Self Tapping
65	34665007	Pivot Pin Retainer
66	34791AG	Carrier Wheel (2)

Ref. No.	Part No.	Description
67	21312724	* Washer (2)
68	47457AY	Wheel Shaft (2)
69	48422	* Rivet - Tubular (2)
70	42242277	Main Body - AG
71	21312781	Washer (2)
72	34784021	Agitator Retaining Spring - AY (2)
73	4010100A	Throw Away Bag (3 Pack)
74	N/A	
75	48414021	Agitator Assem. Comp. - HE
76	44783AG	Belt
77	38313023	Motor Lead Spring
78	37245081	Bottom Plate Assem. - AG
79	36153006	Bottom Plate Latch (2)
80	21447229	* Screw - Self Tapping (2)
81	21447020	* Screw - Self Tapping (2)
82	21447229	* Screw - Self Tapping (2)
83	35434040	Axle/Bag Flange Retainer
84	21312806	* Washer
85	41431013	Wheel Shaft & Support Assem.
86	43263005	Cam Follower
87	38521019	Rear Wheel - AG (2)
88	32182001	* Wheel Retainer (2)
89	21256094	* Rivet
90	39441016	Cord Clip - AG
91	41424011	Bag Flange & Gasket
92	38673009	Bellows
93	38336019	Support Spring

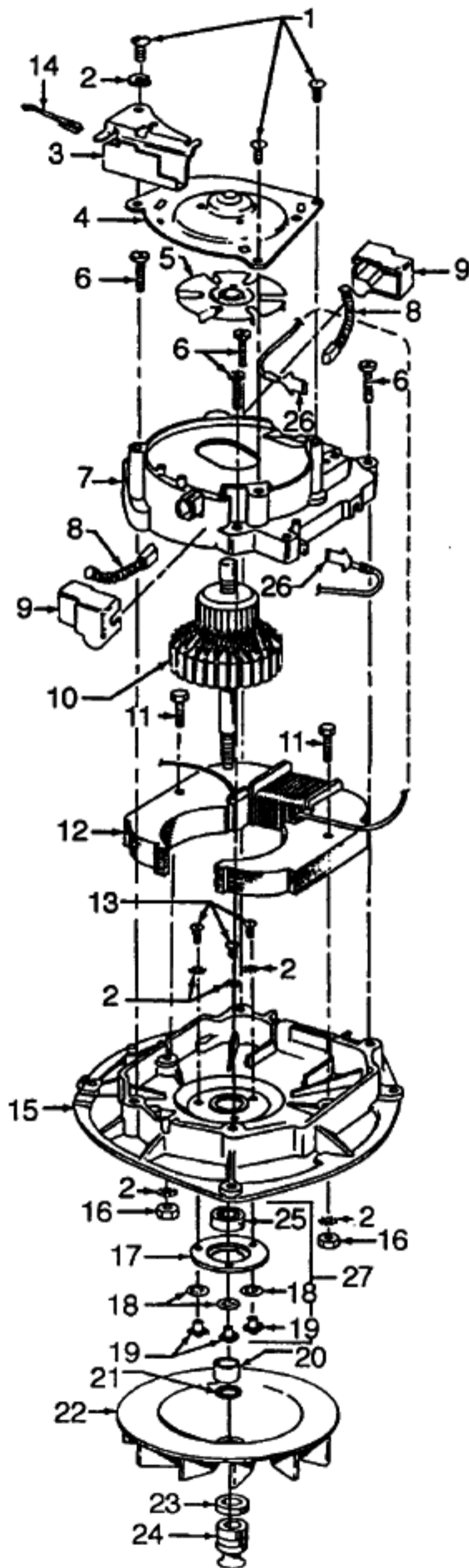
PACKAGING MATERIAL

56711150	+ Assem. Instruction Sheet
56711151	+ Operation Instruction Folder
58175137	+ Carton
58343033	Front Support
58366098	Rear Support



Ref. No.	Part No.	Description
1	35366	Thrust Spring
2	48495AY	Thread Guard - LH
3	43267002	Bearing
4	21347003	Washer
5	41435070	End
6	32724008	Shaft
7	48445001	Agitator Brush
8	12985AY	Thread Guard - RH

Motor 40309020
I-Speed w/o Guide



Ref. No.	Part No.	Description
1	45533AY	+* Screw
2	14062	* Washer
3	41961009	Indicator Guide
4	42934002	Motor Casing Cap Assm.
5	38755005	Vent Fan
6	161535	* Screw
7	42195003	Upper Motor Casing
8	47318012	Carbon Brush
9	36315003	Brush Insulator
10	44768043	Armature
11	45118	* Bolt
12	45412015	Field Coil
13	21772501	* Screw
14	35276006	Indicator Guide Spring
15	42193006	Lower Motor Case
16	15673	* Nut
17	32184003	Retainer
18	19772	* Washer
19	45251	Nut
20	31731002	Spacer
21	166563	* Washer
22	38755011	Fan - Poly
23	31162004	* Washer - Heat Insulating
24	38532009	Motor Pulley
25	24152807	Bearing
26	14320	* Terminal
27	43267006	Bearing Kit