

Commercial Upright Cleaner

Model C1633

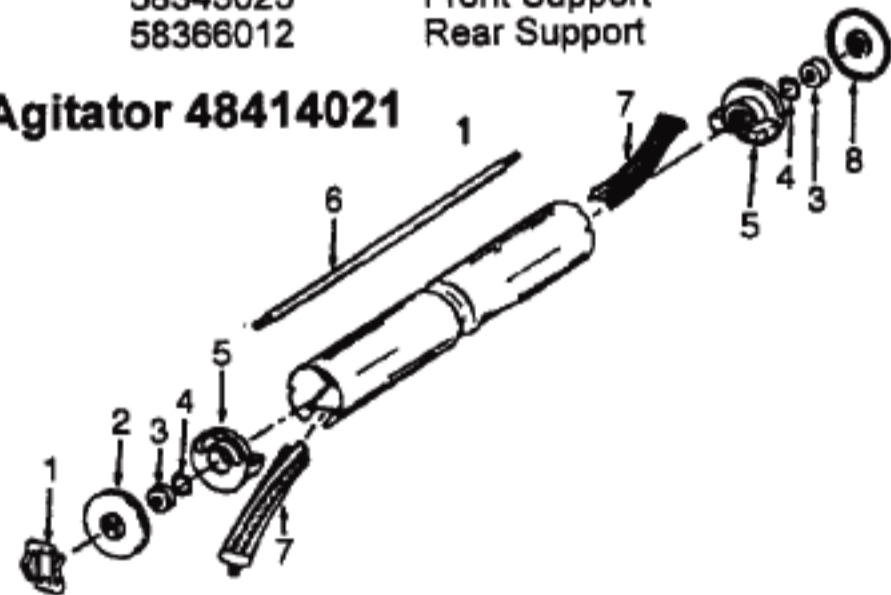
Ref. No.	Part No.	Description
1	38335009	Support Spring
2	43667056	Cloth Bag - AAW/AG
3	35173001	Bag Expander - AG
4	34112015	Seal
5	41427013	Dust Cup Support & Bellows
6	36155011	Latch - AG (2)
7	34123020	Gasket
8	38775001	Dust Cup
9	43675188	Dust Cup Assem.
10	51151034	Indicator - AG
11	38456044	Nozzle Adjustment Lever - AG
12	27479307	* Cable Tie
13	12954	* Screw - Self Tapping (2)
14	37954004	Bail Cover Plate - AG
15	48969	* Wire Nut (4)
16	21354155	* Lock Washer - Special
17	36913026	Insulator / Strain Relief
18	23187363	Screw - Self Tapping
19	21631302	Handle Bolt (2)
20	35463011	Handle Retainer Plate
21	N/A	
22	41416064	Bail Assem - (Inc. items 13, 14, 17, 19, 20, 25, 26)
23	12560	* Switch Nut
24	48631134	Lower Handle - AX
25	32277008	Handle Nut (2)
26	13704	* Lock Washer (2)
27	48646093	Handle Comp. - AX
28	48643091	Handle Upper Half - AX
29	39454070	Handle Grip - BU
30	46583009	Attach. Cord - 50' - AAW
31	34785017	Cord Retaining Clamp - AX
32	36215025	Cord Protector
33	38424003	Switch Pedal - PH
34	24735022	* Circlip
35	41424011	Bag Flange Assem.
36	36425023	Clamp
37	38673001	Bellows - AG
38	35217006	Mounting Bracket - AW
39	613802AY	* Shaft
40	28212017	Switch
41	38426080	Foot Pad - AG
42	11735	Roller Detent Assem.
43	48409FW	Spring
44	19907	Bag Flange Clamp Lever
45	13730	* Lock Ring (4)
46	46515007	Bail Cord/Tubing Assem.
47	38456050	Handle Control Lever
48	47450AY	Pivot Pin
49	43263005	Cam Follower
50	41431013	Wheel Shaft & Support Assem.
51	34252005	* Yoke
52	161513	Spring
53	21312806	* Washer
54	27479307	* Lead Wire Tie
55	41961009	Indicator Guide
56	35276006	Indicator Guide Spring
57	41119009	Retainer & Sleeving Assem.
58	21447211	+* Screw - Self Tapping (4)
59	168278AY	+* Washer (4)
60	12997AW	* Rivet (2)
61	36951004	Retainer (2)
62	21256134	* Rivet (2)
63	39382011	Indicator Lens
64	42251336	Hood Assem. - AG
65	37246044	Panel - AG
66	52115214	+ Hood Nameplate
67	36231151	Furniture Guard - BU

Ref. No.	Part No.	Description
68	45533AY	+* Screw
69	14062	* Lock Washer
70	40309020	Motor Assem. Comp. - (P - 195)
71	12559FW	Spring
72	21447229	* Screw - Self Tapping
73	34665007	Pivot Pin Retainer
74	34791AG	Carrier Wheel (2)
75	21312724	* Washer (2)
76	47457AY	Wheel Shaft (2)
77	48422	* Rivet - Tubular (2)
78	42242277	Main Body - AG
79	21312781	Washer (2)
80	34784021	Agitator Retaining Spring - AY (2)
81	38313023	Motor Lead Spring
82	N/A	
83	48414021	Agitator Assem. Comp. - HE
84	44783AG	Belt
85	N/A	
86	37245081	Bottom Plate - AG
87	36153006	Bottom Plate Latch (2)
88	21447229	Screw - Self Tapping (2)
89	21447020	* Screw - Self Tapping (2)
90	21447229	Screw - Self Tapping (2)
91	35434040	Axle/Bag Flange Retainer
92	38521019	Rear Wheel - AG (2)
93	32182001	* Wheel Retainer (2)
94	161509AY	Bail Shaft
95	21256094	* Rivet
96	39441016	Cord Clip - AG
97	41128021	Bag Clip & Spring

PACKAGING MATERIAL

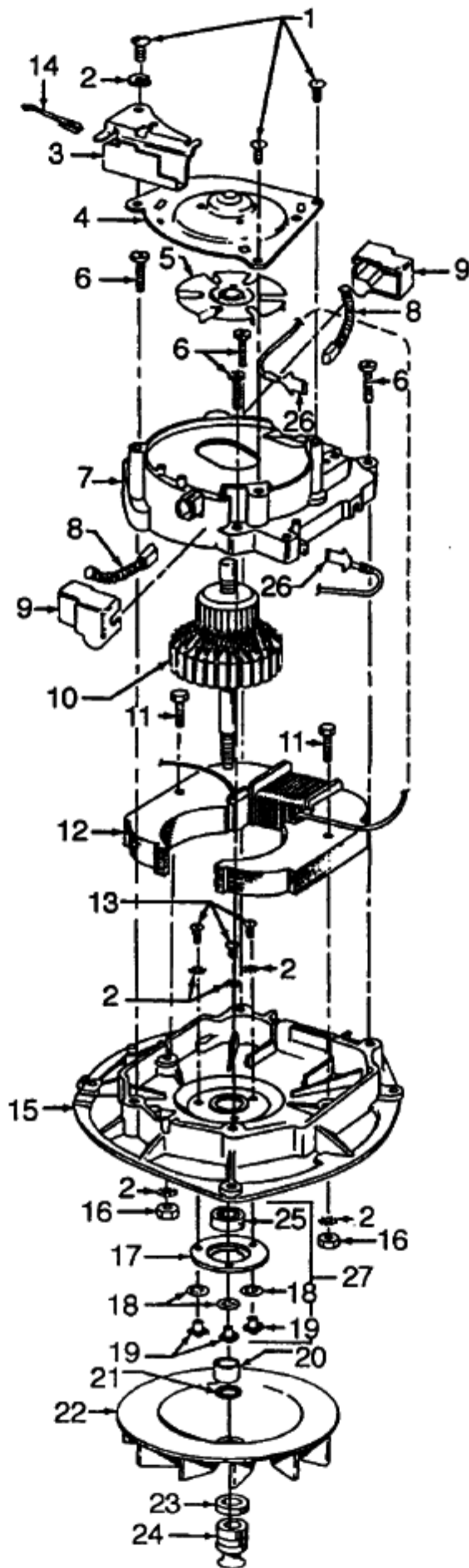
58174087	Cleaner Carton
56711144	Assem. Instruction Sheet
56711140	Operation Instruction Folder
58216006	Dirt Cup Middle Pad
58343025	Front Support
58366012	Rear Support

Agitator 48414021



Ref. No.	Part No.	Description
1	35366	Thrust Spring
2	48495AY	Thread Guard - LH
3	43267002	Bearing
4	21347003	* Washer
5	41435070	End
6	32724008	Shaft
7	48445001	Agitator Brush
8	12985AY	Thread Guard - RH

**Motor 40309020
I-Speed w/o Guide**



Ref. No.	Part No.	Description
1	45533AY	+* Screw
2	14062	* Washer
3	41961009	Indicator Guide
4	42934002	Motor Casing Cap Assm.
5	38755005	Vent Fan
6	161535	* Screw
7	42195003	Upper Motor Casing
8	47318012	Carbon Brush
9	36315003	Brush Insulator
10	44768043	Armature
11	45118	* Bolt
12	45412015	Field Coil
13	21772501	* Screw
14	35276006	Indicator Guide Spring
15	42193006	Lower Motor Case
16	15673	* Nut
17	32184003	Retainer
18	19772	* Washer
19	45251	Nut
20	31731002	Spacer
21	166563	* Washer
22	38755011	Fan - Poly
23	31162004	* Washer - Heat Insulating
24	38532009	Motor Pulley
25	24152807	Bearing
26	14320	* Terminal
27	43267006	Bearing Kit